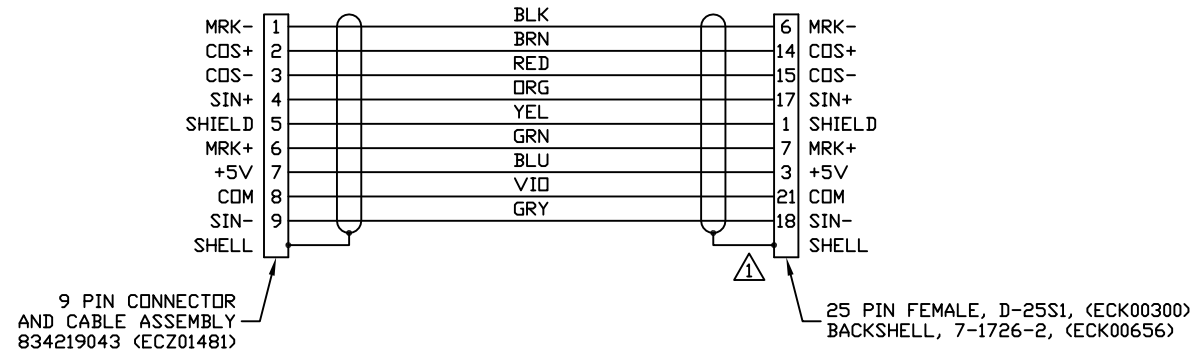


REVISIONS				
REV.	ZONE	DESCRIPTION	DATE	DRAWN
-	-	-	-	-

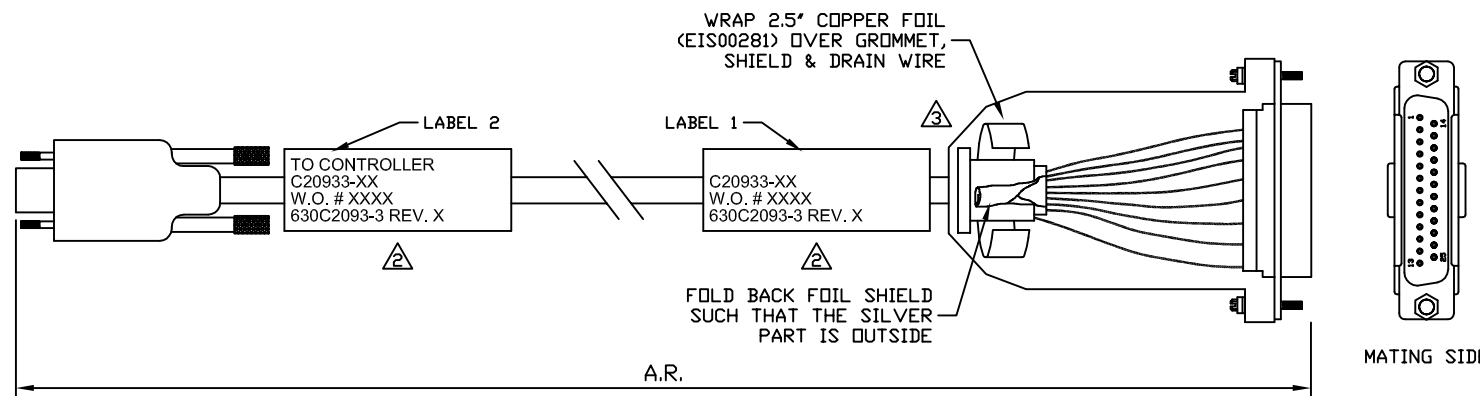
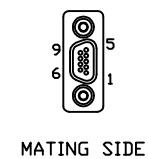


4 CABLE LENGTH
CAUTION, CABLE LENGTHS (XX) ARE IN DECIMETERS
EXAMPLE: C20933-5
5 = 5 DECIMETERS (500mm) = 1.5FT

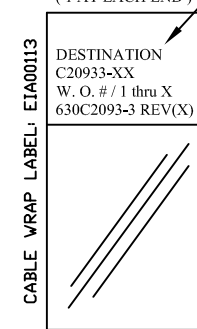
3 USE #5 GROMMET WITH 5 DOTS AS SHOWN BELOW WHICH IS SUPPLIED W/BACKSHELL



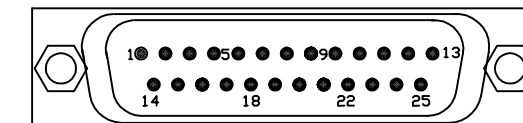
2 CABLE LABELS
LABEL CABLES AS PER ASSEMBLY VIEWS BELOW



LABELS FOR C20933 CABLES:
(2) REQUIRED,
(1 AT EACH END)
SEE LABEL 2 ONLY FOR DESTINATION



1 CONNECTOR VIEW FROM SOLDER SIDE, SCALE NTS



PART CODE:	
C20933-XX	C20933-1 TO -9 MAX LENGTH (DECIMETERS)

PROPRIETARY INFORMATION
THIS DRAWING IS THE PROPERTY
OF AEROTECH, INC. AND IS
SUBMITTED IN CONFIDENCE AND
SHALL NOT BE REPRODUCED NOR
COPIED NOR DISCLOSED TO OTHERS
UNDER PENALTY OF LAW.



AEROTECH, INC. 101 Zeta Drive
Pittsburgh, PA. 15238
(412)963-7470
www.aerotech.com

TOLERANCES ON
FRACTIONS DECIMALS ANGLES
0 TO 6 ± 1/32 .XX ± .01 ± 0-30'
OVER 6 ± 1/16 .XXX ± .005

ENCODER FEEDBACK CABLE
(MAX LENGTH 9 DECIMETERS)
CABLE: ENC FB-9MDUT-25DU-MAX9DM

RMS FINISH EXCEPT AS NOTED

DRAWN	TES	12/08
CHECKED	AGS	12/08
APPD.	AGS	12/08

PART CODE	SIZE	REV.
C20933-xx	C	-
630C2093-3		
SCALE NTS	FILE NAME 630C2093-301.dwg	SHEET 1 OF 1