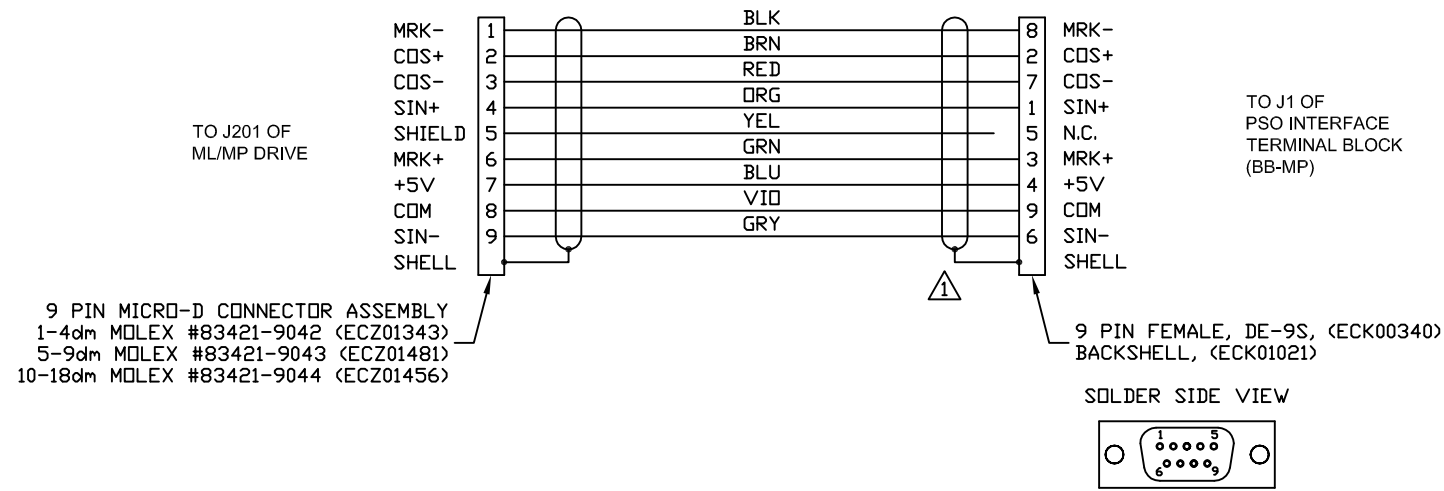
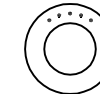


REVISIONS			
REV.	DESCRIPTION	DRAWN	DATE



5 CABLE LENGTH
 CAUTION, CABLE LENGTHS (XX) ARE IN DECIMETERS
 EXAMPLE: C20934-5
 5 = 5 DECIMETERS (500mm) = 1.5FT

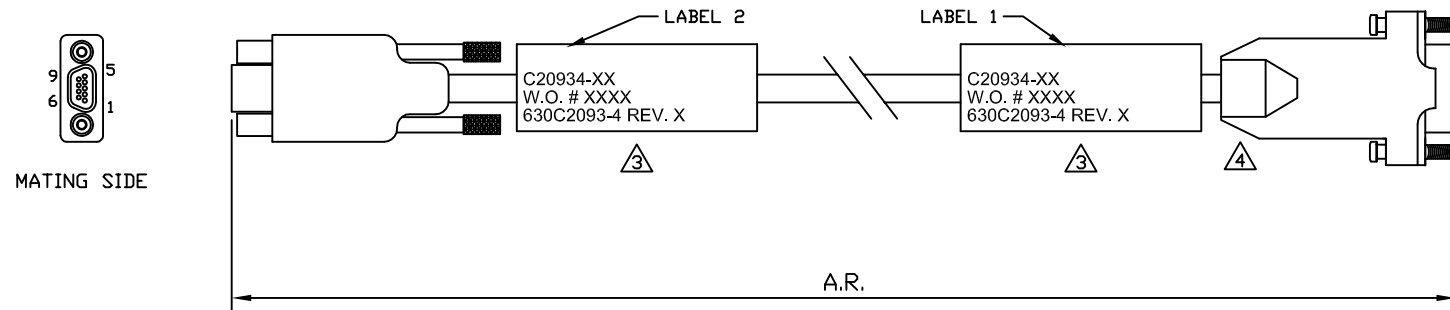
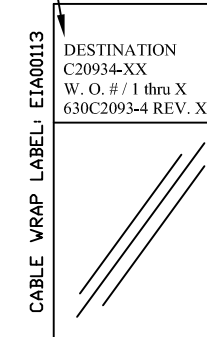
4 USE #5 GROMMET WITH 5 DOTS AS SHOWN BELOW WHICH IS SUPPLIED W/BACKSHELL



3 CABLE LABELS
 LABEL CABLES PER ASSEMBLY VIEW BELOW

SEE LABEL 2 ONLY FOR DESTINATION

LABELS FOR C20934 CABLES:
 (2) REQUIRED,
 (1 AT EACH END)



1 CONNECTOR SHIELDING

WRAP 3' COPPER FOIL (EIA281) OVER GROMMET & SHIELD

USE APPROPRIATE GROMMET SUPPLIED W/BACKSHELL

FOLD BACK SHIELD

COVER

PROPRIETARY INFORMATION
 THIS DRAWING IS THE PROPERTY OF AEROTECH, INC. AND IS SUBMITTED IN CONFIDENCE AND SHALL NOT BE REPRODUCED NOR COPIED NOR DISCLOSED TO OTHERS UNDER PENALTY OF LAW.



AEROTECH, INC. 101 Zeta Drive
 Pittsburgh, PA. 15238
 (412)963-7470
 www.aerotech.com

TOLERANCES ON FRACTIONS DECIMALS ANGLES
 0 TO 6 ± 1/32 .XX ± .01 ± 0-30'
 OVER 6 ± 1/16 .XXX ± .005

RMS FINISH EXCEPT AS NOTED

PSO INTERFACE ADAPTER CABLE
 (MAX LENGTH 18 DECIMETERS)
 CABLE: 9MDUT-9DUJS-MAX18DM

DRAWN	7/26/2010	JFM
CHECKED	7/26/2010	ARW
APPD.	7/26/2010	JFM

PART CODE	SIZE	REV.
C20934-XX	C	-
630C2093-4		
SCALE NTS	FILE NAME 630C2093-401.dwg	SHEET 1 OF 1