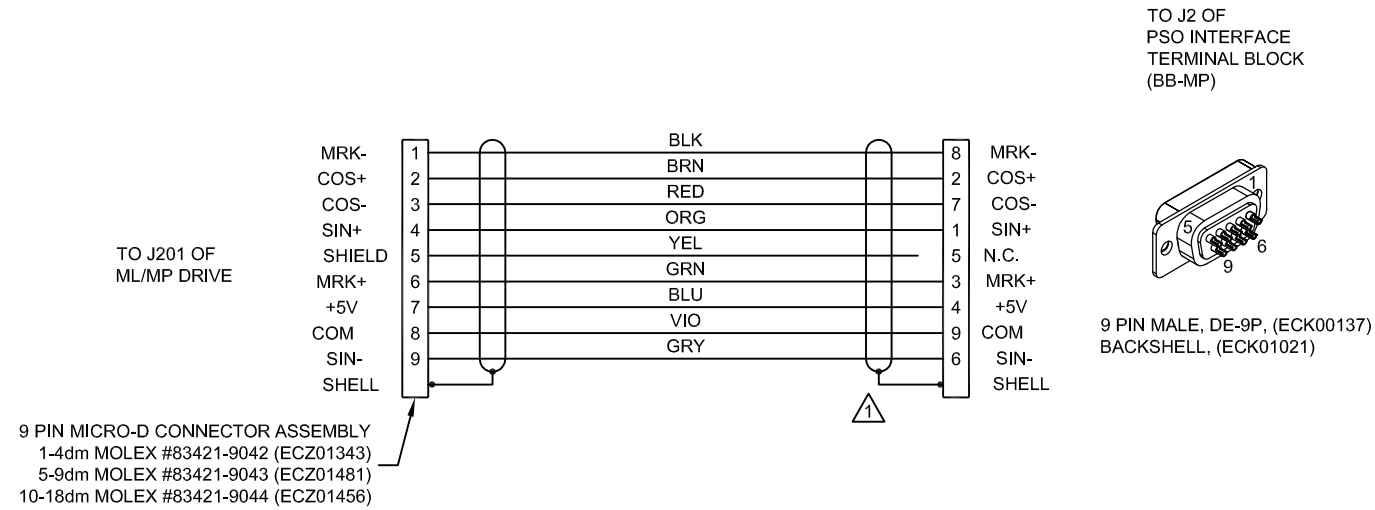


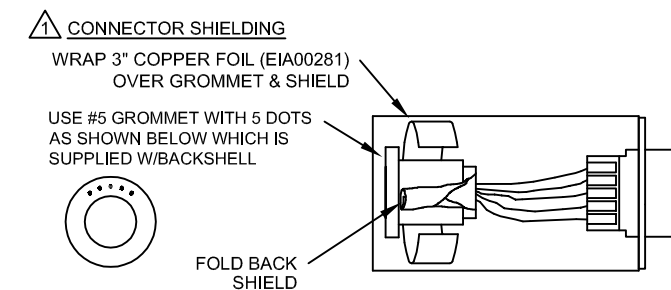
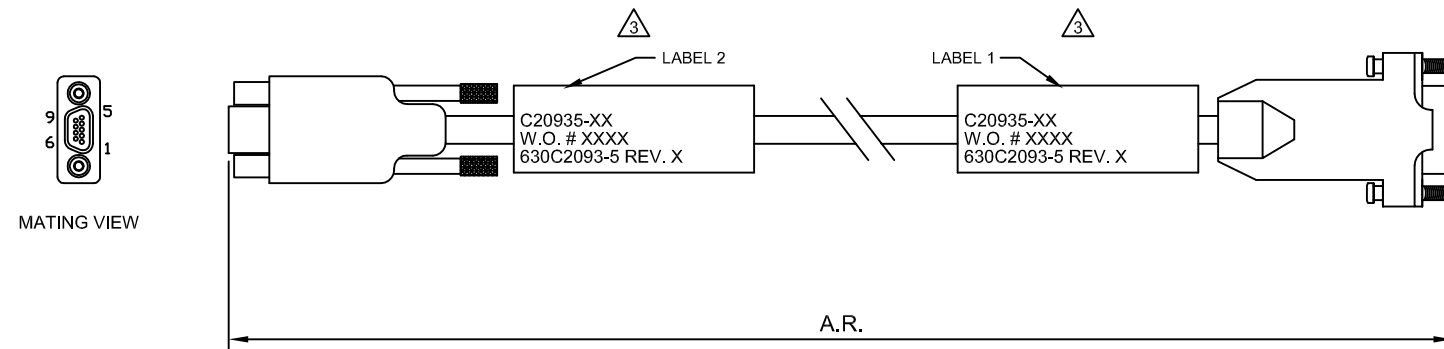
REVISIONS			
REV.	DESCRIPTION	DRAWN	DATE



5 CABLE LENGTH  
 CAUTION, CABLE LENGTHS (XX) ARE IN DECIMETERS  
 EXAMPLE: C20935-5  
 5 = 5 DECIMETERS (500mm) = 1.5FT

3 CABLE LABELS  
 LABEL CABLES PER ASSEMBLY VIEW BELOW

LABELS:  
 2 REQUIRED,  
 ( 1 AT EACH END )



PROPRIETARY INFORMATION  
 THIS DRAWING IS THE PROPERTY  
 OF AEROTECH, INC. AND IS  
 SUBMITTED IN CONFIDENCE AND  
 SHALL NOT BE REPRODUCED NOR  
 COPIED NOR DISCLOSED TO OTHERS  
 UNDER PENALTY OF LAW.



AEROTECH, INC. 101 Zeta Drive  
 Pittsburgh, PA. 15238  
 (412)963-7470  
 www.aerotech.com

TOLERANCES ON		
FRACTIONS	DECIMALS	ANGLES
0 TO 6 $\frac{1}{32}$	.XX $\pm 01$	$\pm 0-30^\circ$
OVER 6 $\frac{1}{16}$	.XXX $\pm 005$	

PSO INTERFACE ADAPTER CABLE

CABLE: 9MDT-9DP-MAX18DM

RMS FINISH	<input checked="" type="checkbox"/>	EXCEPT AS NOTED	PART CODE	SIZE	REV.
DRAWN	10/17/2011	MS	C20935	C	-
CHECKED	10/17/2011	AGS	630C2093-5		
APPD.	10/17/2011	MS	SCALE NTS	FILE NAME	SHEET
				630C2093-5.dwg	1 OF 1