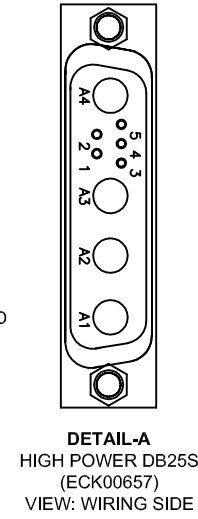
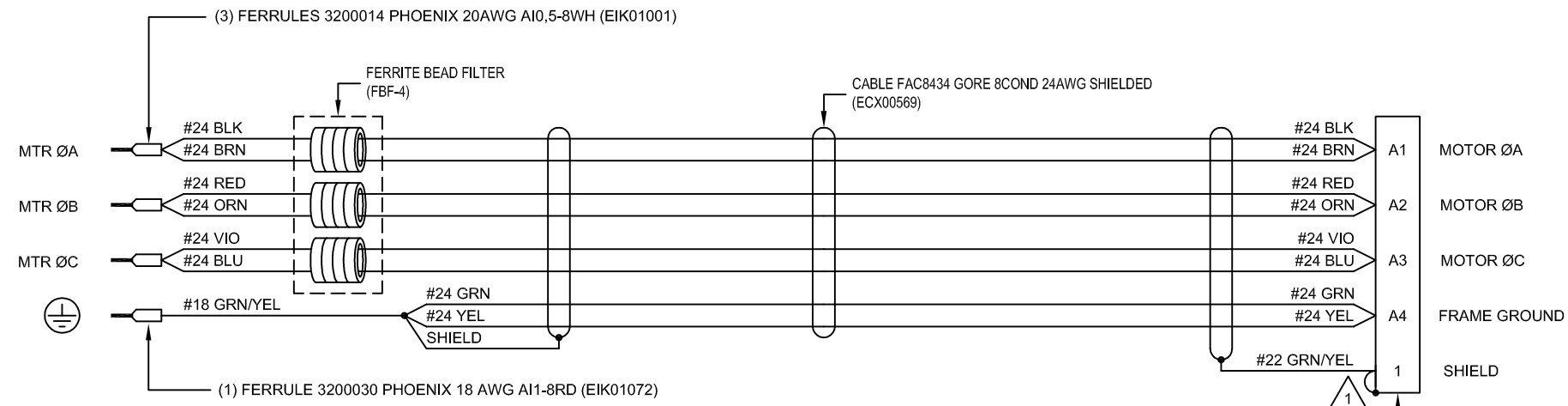
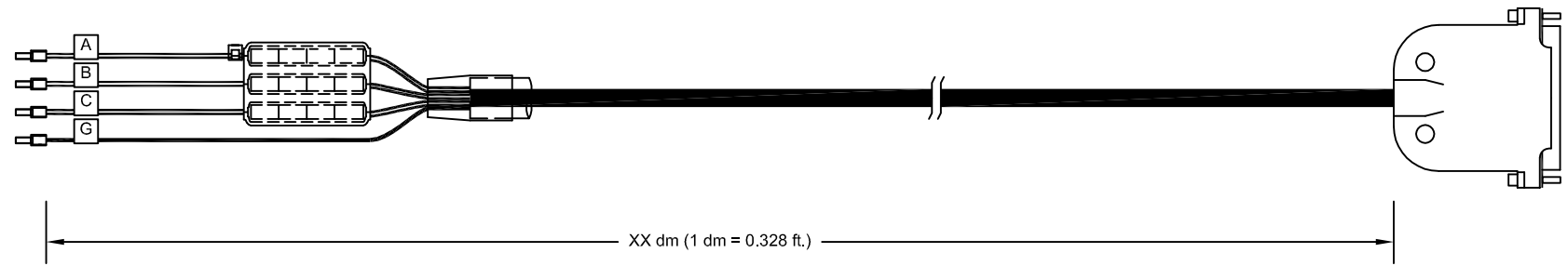


REVISIONS			
REV.	DESCRIPTION	DATE	DRAWN
A	ADDED ECN 13608	9/20/2011	JFM



AXIS MOTOR CONNECTOR (DETAIL-A)
 (1) HIGH POWER DB25S CONNECTOR (ECK00657)
 (4) SOCKET CONTACTS (ECK00659)
 (1) DB25 BACK SHELL (ECK00656)

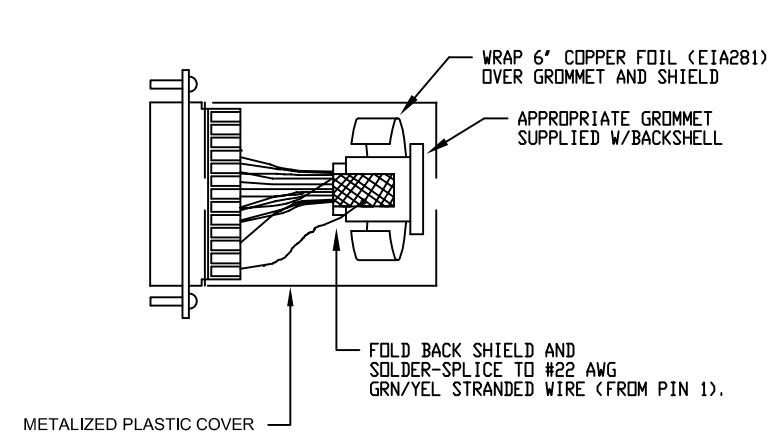


LABEL
2 REQUIRED
1 EACH END

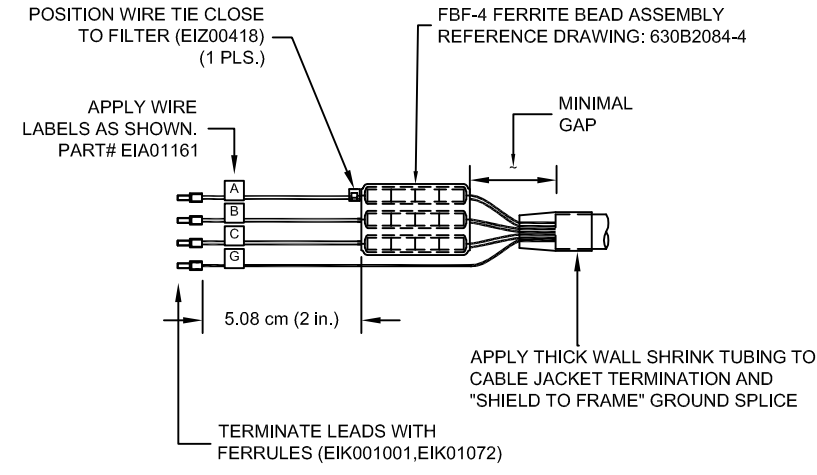
CABLE WRAP LABEL: EIA00113

P/N: C21031-XX
 W/N: XXXXXX/X
 DWG: 630C2103-1 REV x

1 SHIELD TERMINATION WITH METALIZED PLASTIC COVERS WITH PIN 1 & SHIELD TIED TOGETHER.



2 FERRITE BEAD FILTER FOR MOTOR CABLE



PROPRIETARY INFORMATION THIS DRAWING IS THE PROPERTY OF AEROTECH, INC. AND IS SUBMITTED IN CONFIDENCE AND SHALL NOT BE REPRODUCED NOR COPIED NOR DISCLOSED TO OTHERS UNDER PENALTY OF LAW.		PART CODE: C21031-XX		XX = CABLE LENGTH IN DEICMETERS	
TOLERANCES ON FRACTIONS DECIMALS ANGLES 0 TO 6 3/32 .XX ±01 ± 0-30' OVER 6 1/16 .XXX ±005		RMS FINISH <input checked="" type="checkbox"/> EXCEPT AS NOTED		AEROTECH® AEROTECH, INC. 101 Zeta Drive Pittsburgh, PA. 15238 (412)963-7470 www.aerotech.com	
DRAWN JAB 9/29/05		PART CODE C21031-XX		SIZE C	REV. A
CHECKED AGS 9/29/05		SCALE NTS		FILE NAME 630C2103-1A1.DWG	SHEET 1 of 1
APPD. AGS 9/29/05		CABLE: BL MTR-FLB-4DU-HF-GORE-4 AMPS-MAX450DM		630C2103-1	