

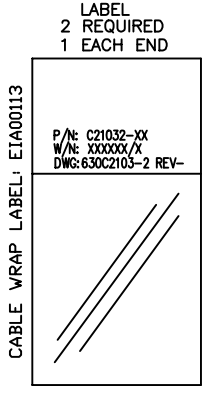
REVISIONS				
REV.	ZONE	DESCRIPTION	DATE	DRAWN

SPLICE BLK & BRN WIRES FROM EACH INDIVIDUAL CABLE TO #16 BLK WIRE.

SPLICE RED & DRN WIRES FROM EACH INDIVIDUAL CABLE TO #16 RED WIRE.

SPLICE VID & BLU WIRES FROM EACH INDIVIDUAL CABLE TO #16 WHT WIRE.

SPLICE GRN & YEL WIRES FROM EACH INDIVIDUAL CABLE TO SHIELDS AND #16 GRN/YEL WIRE.

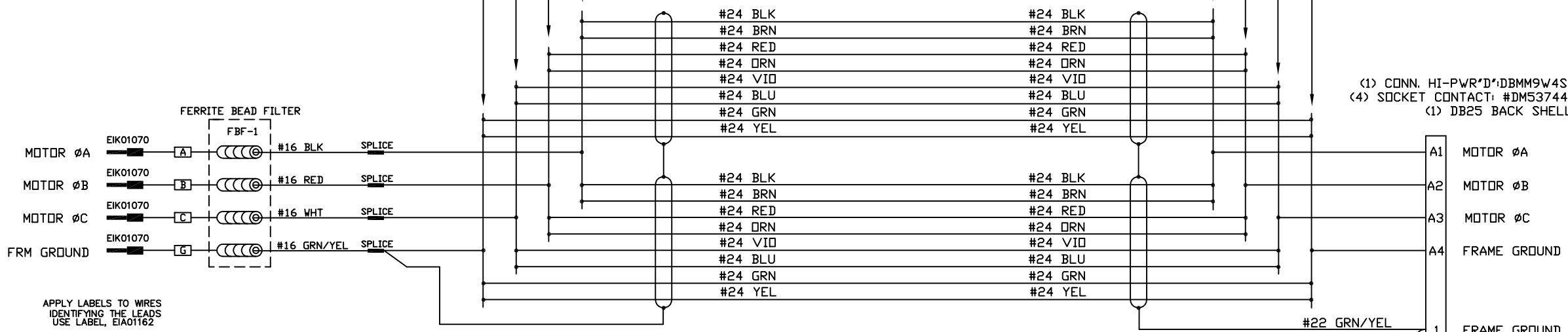


SOLDER BLK & BRN WIRES FROM EACH INDIVIDUAL CABLE TO PIN A1 OF HPD CONNECTOR.

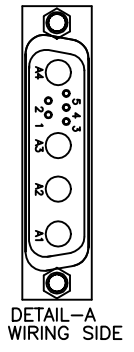
SOLDER RED & DRN WIRES FROM EACH INDIVIDUAL CABLE TO PIN A2 OF HPD CONNECTOR.

SOLDER VID & BLU WIRES FROM EACH INDIVIDUAL CABLE TO PIN A3 OF HPD CONNECTOR.

SOLDER GRN & YEL WIRES FROM EACH INDIVIDUAL CABLE TO PIN A4 OF HPD CONNECTOR.

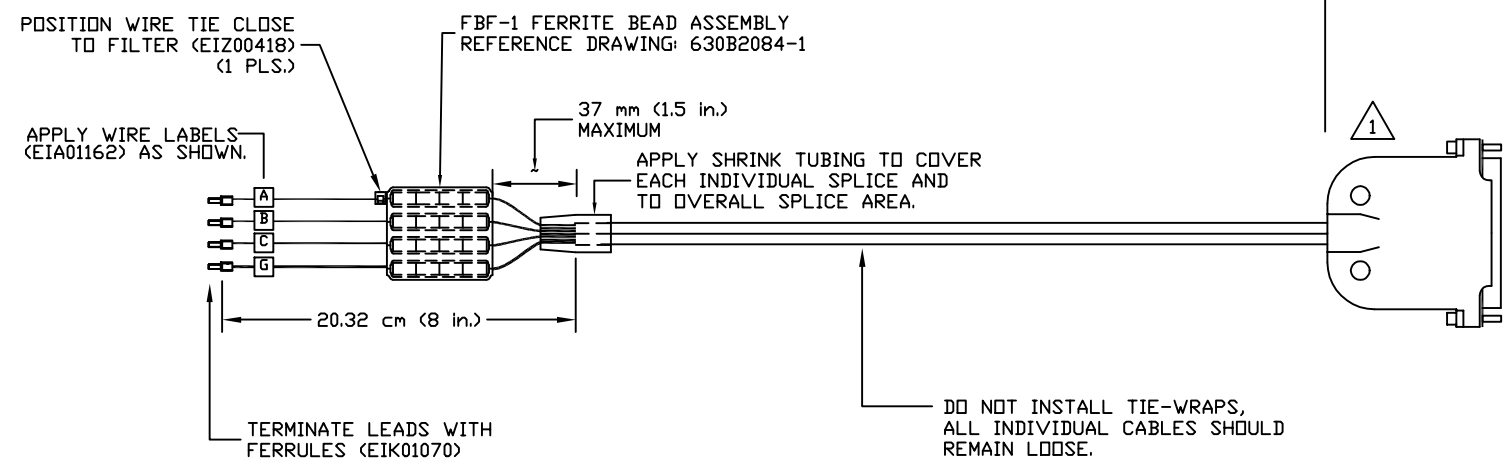
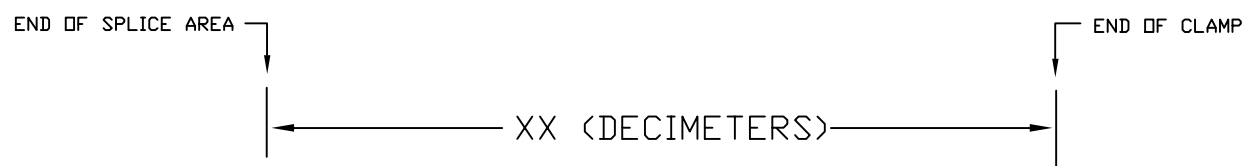
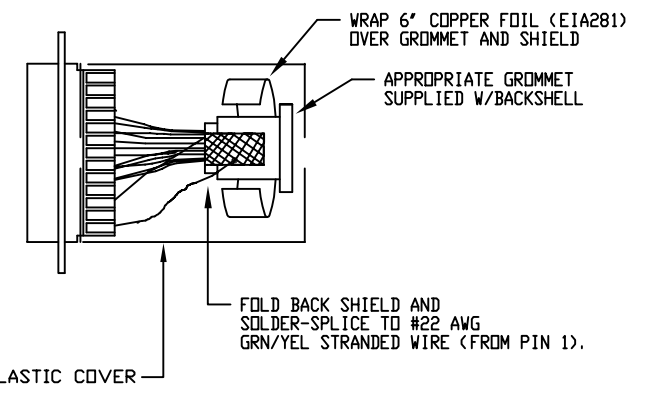


(1) CONN. HI-PWR'D: DBMM9W4S (ECK00657)
(4) SOCKET CONTACT: #DM53744-6 (ECK00659)
(1) DB25 BACK SHELL (ECK00656)



APPLY LABELS TO WIRES IDENTIFYING THE LEADS USE LABEL, EIA01162

1 SHIELD TERMINATION WITH METALIZED PLASTIC COVERS WITH PIN 1 & SHIELD TIED TOGETHER.



PART CODE: C21032-XX		XX = CABLE LENGTH IN DEICMETERS	
PROPRIETARY INFORMATION THIS DRAWING IS THE PROPERTY OF AEROTECH, INC. AND IS SUBMITTED IN CONFIDENCE AND SHALL NOT BE REPRODUCED NOR COPIED NOR DISCLOSED TO OTHERS UNDER PENALTY OF LAW.		AEROTECH, INC. 101 Zeta Drive Pittsburgh, PA. 15238 (412)963-7470 www.aerotech.com	
BRUSHLESS MOTOR CABLE 450 DECIMETERS (150') MAX LENGTH CABLE: BL MTR-FLB-4DU-HF60-8ARMS-MAX450DM			
TOLERANCES ON FRACTIONS DECIMALS ANGLES 0 TO 6 ± 1/32 .XX ± .01 ± 0-30' OVER 6 ± 1/16 .XXX ± .005		RMS FINISH ✓ EXCEPT AS NOTED	
DRAWN	AGS	3/07	PART CODE - SIZE C
CHECKED	JAB	3/07	630C2103-2
APPD.	JAB	3/07	REV. -
SCALE FULL		FILE NAME 630C2103-201.DWG	SHEET 1 OF 1