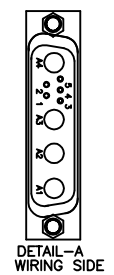
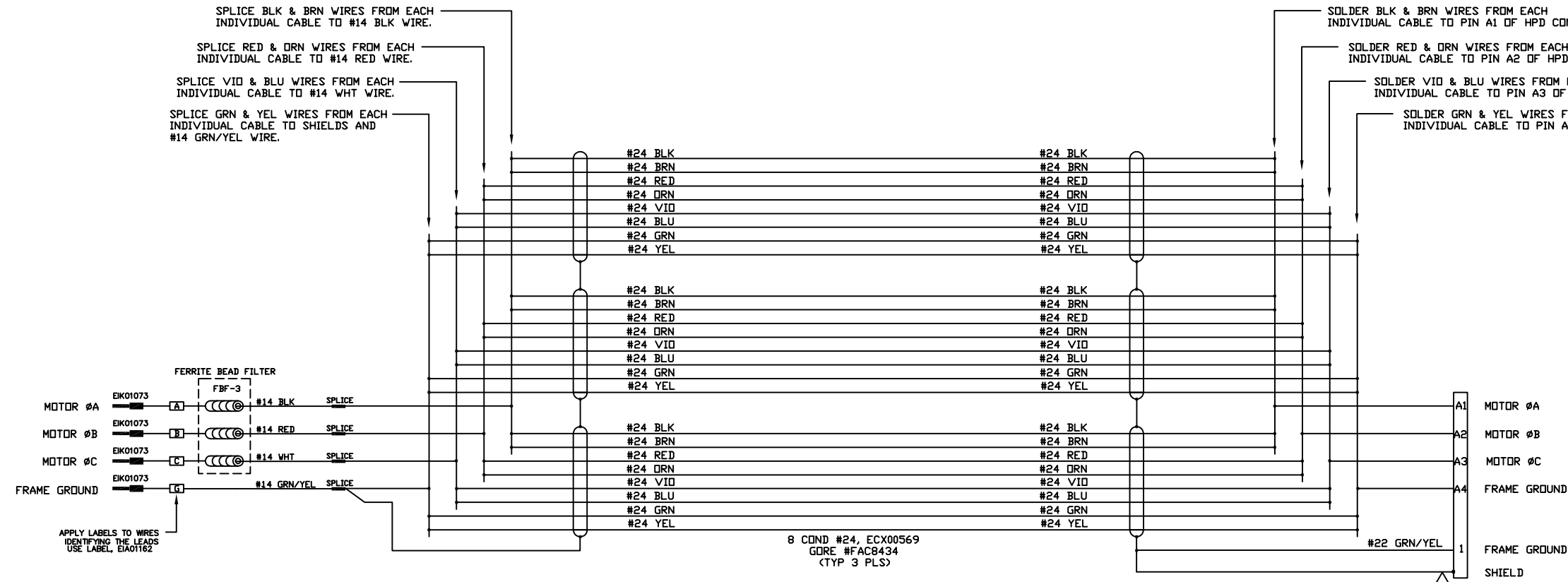
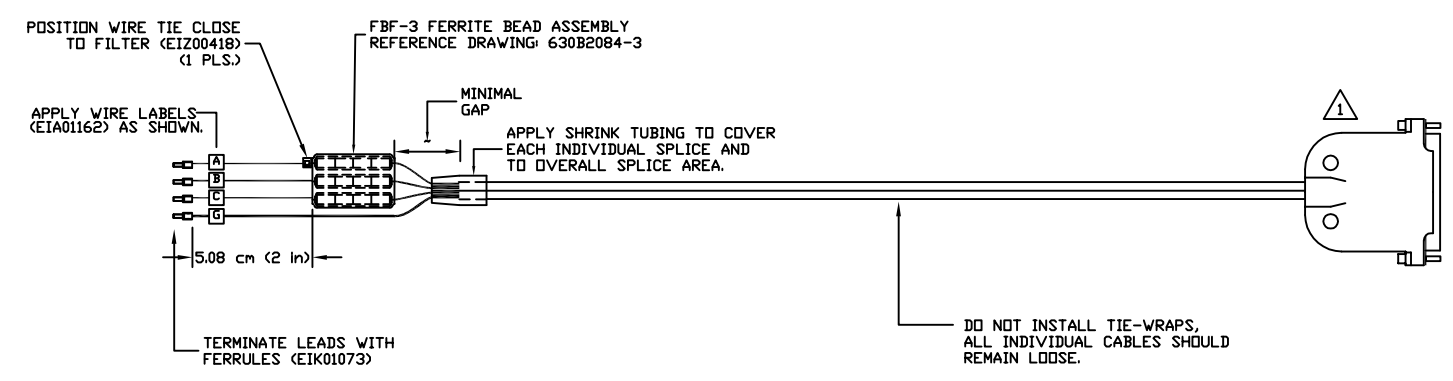
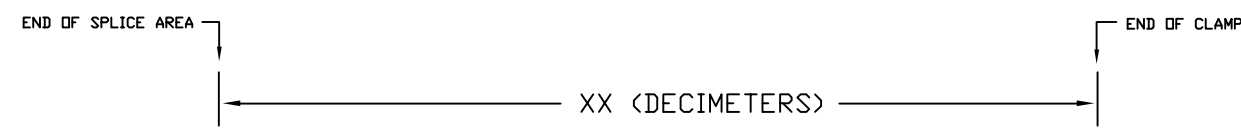


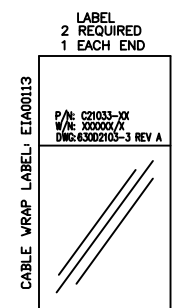
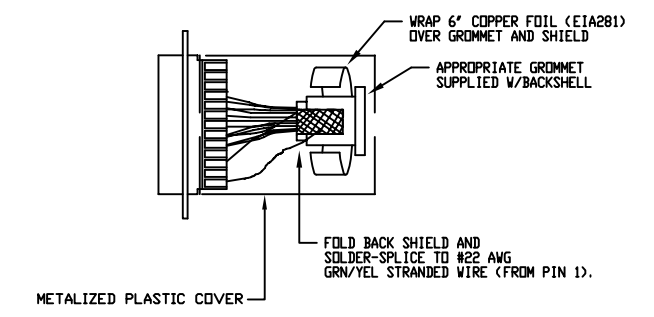
REVISIONS				
REV.	ZONE	DESCRIPTION	DATE	DRAWN
A		ADDED ECN13690	10/11	MS



- (1) CONN. HI-PWR'D: DBMM9W4S (ECK00657)
- (4) SOCKET CONTACT: #DM53744-6 (ECK00659)
- (1) DB25 BACK SHELL (ECK00656)



SHIELD TERMINATION WITH METALIZED PLASTIC COVERS WITH PIN 1 & SHIELD TIED TOGETHER.



PART CODE: C21033-XX		XX = CABLE LENGTH IN DECIMETERS	
PROPRIETARY INFORMATION THIS DRAWING IS THE PROPERTY OF AEROTECH, INC. AND IS SUBMITTED IN CONFIDENCE AND SHALL NOT BE REPRODUCED NOR COPIED NOR DISCLOSED TO OTHERS UNDER PENALTY OF LAW.			
AEROTECH, INC. 101 Zeta Drive Pittsburgh, PA, 15238 (412)963-7470 www.aerotech.com			
BRUSHLESS MOTOR CABLE 450 DECIMETERS (150') MAX LENGTH CABLE: BL MTR-FLB-4DU-HF60-12ARMS-MAX450DM			
TOLERANCES UNLESS OTHERWISE SPECIFIED		RMS FINISH	
FRACTIONS	DECIMALS	ANGLES	EXCEPT AS NOTED
0 TO 6 ± 1/32	.XX ± .01	± 0-30'	
OVER 6 ± 1/16	.XXX ± .005		
DRAWN	AGS	4-02-08	PART CODE
CHECKED	JAB	4-02-08	SIZE
APPD.	JAB	4-02-08	SCALE FULL
C21033-XX		D	
630D2103-3		A	
FILE NAME 630D2103-3A1.DWG		SHEET 1 OF 1	