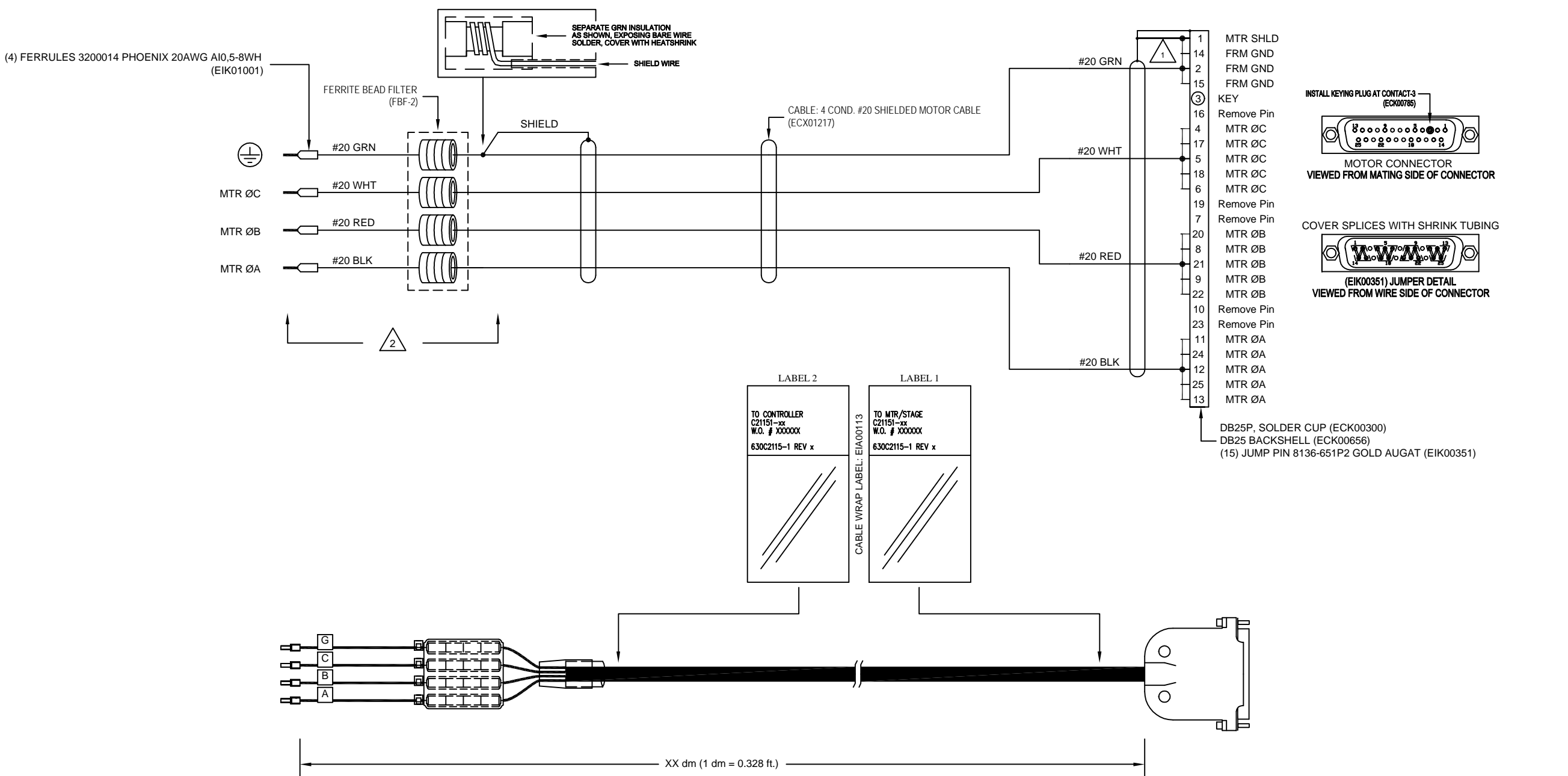
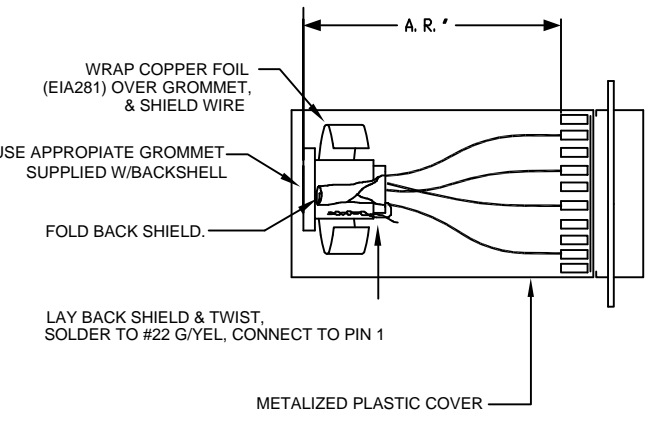


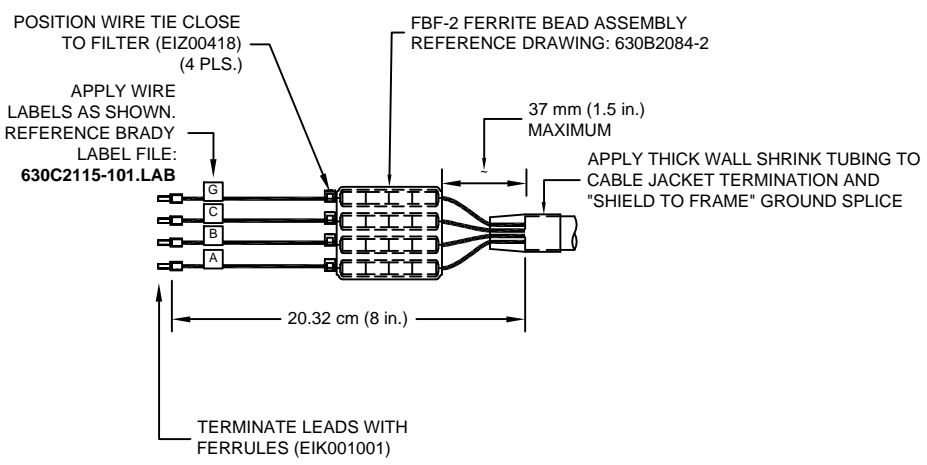
REVISIONS				
REV.	ZONE	DESCRIPTION	DATE	DRAWN



1 SHIELD TERMINATION WITH METALIZED PLASTIC COVERS WITH PIN 1 & SHIELD TIED TOGETHER.



2 (FBF-2) FERRITE BEAD FILTER FOR MOTOR CABLE



PROPRIETARY INFORMATION
THIS DRAWING IS THE PROPERTY OF AEROTECH, INC. AND IS SUBMITTED IN CONFIDENCE AND SHALL NOT BE REPRODUCED NOR COPIED NOR DISCLOSED TO OTHERS UNDER PENALTY OF LAW.

FRACTIONS	DECIMALS	ANGLES
0 TO 6 3/32	.XX ±01	± 0-30'
OVER 6 1/16	.XXX ±005	

RMS FINISH EXCEPT AS NOTED

DRAWN	JAB	10/4/05
CHECKED	AGS	10/4/05
APPD.	AGS	10/4/05

PART CODE:		C21151-XX		XX = CABLE LENGTH IN DEICMETERS	
		AEROTECH, INC. 101 Zeta Drive Pittsburgh, PA. 15238 (412)963-7470 www.aerotech.com			
		C21151-XX CABLE:BL MTR-FLB-25DU (BRUSHLESS MOTOR CABLE WITH FLYING LEAD/DB25 INTERFACE)			
SCALE	NTS	FILE NAME	630C2115-101.DWG	SHEET	1 of 1