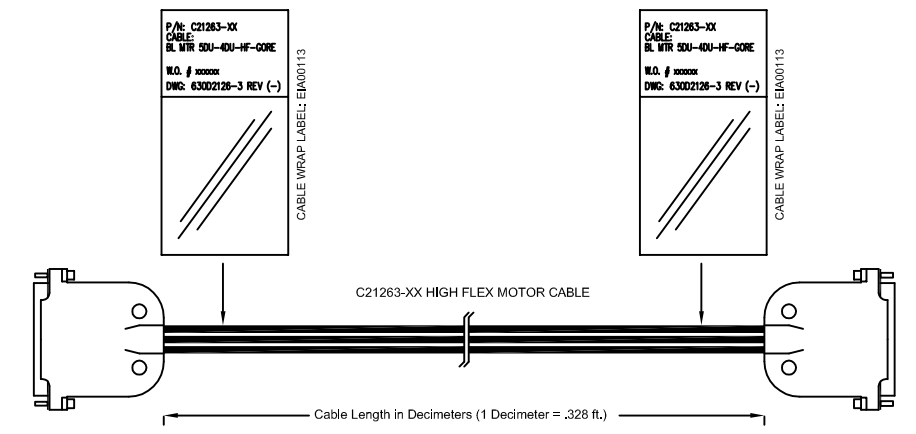
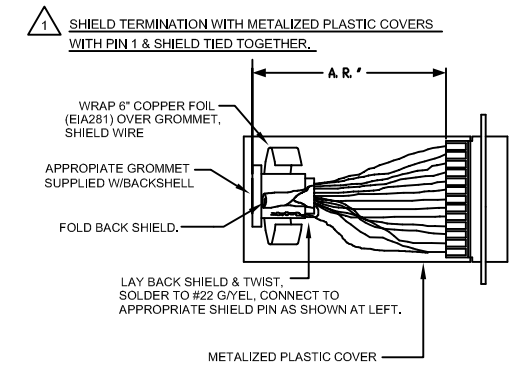
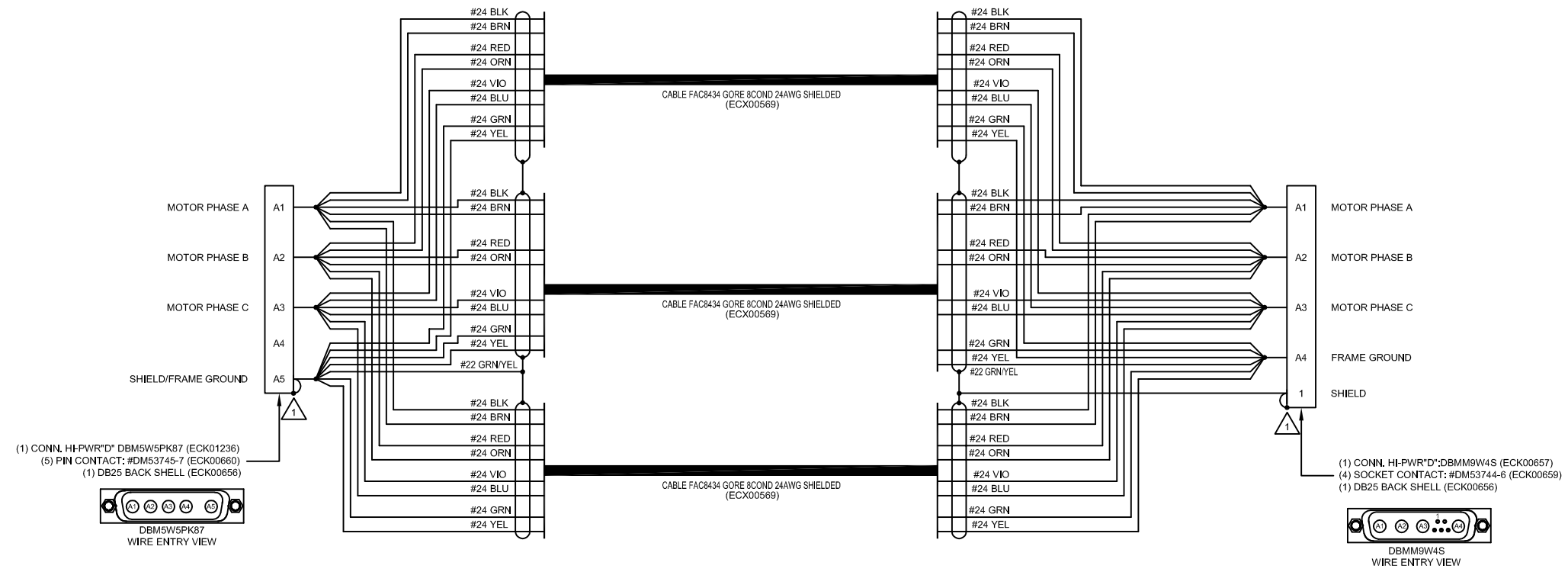


REVISIONS				
REV.	ZONE	DESCRIPTION	DATE	DRAWN



PROPRIETARY INFORMATION THIS DRAWING IS THE PROPERTY OF AEROTECH, INC. AND IS SUBMITTED IN CONFIDENCE AND SHALL NOT BE REPRODUCED NOR COPIED NOR DISCLOSED TO OTHERS UNDER PENALTY OF LAW.		PART CODE: C21263-XX XX = CABLE LENGTH IN DEICMETERS	
TOLERANCES ON FRACTIONS DECIMALS ANGLES 0 TO 6 1/32 .XX .01 ± 0-30 OVER 6 ±1/16 .XXX .005		AEROTECH AEROTECH, INC. 101 Zeta Drive Pittsburgh, PA. 15238 (412)963-7470 www.aerotech.com	
RMS FINISH EXCEPT AS NOTED		C21263-XX (HIGH-FLEX MOTOR CABLE) CABLE: BL MTR 5DU-4DU-HF-GORE	
DRAWN	TES	12/16/13	PART CODE
CHECKED	AGS	12/16/13	SIZE
APPD.	AGS	12/16/13	SCALE NTS
SEE ABOVE		D	630D2126-3
FILE NAME	630D2126-301.DWG	SHEET	1 of 1