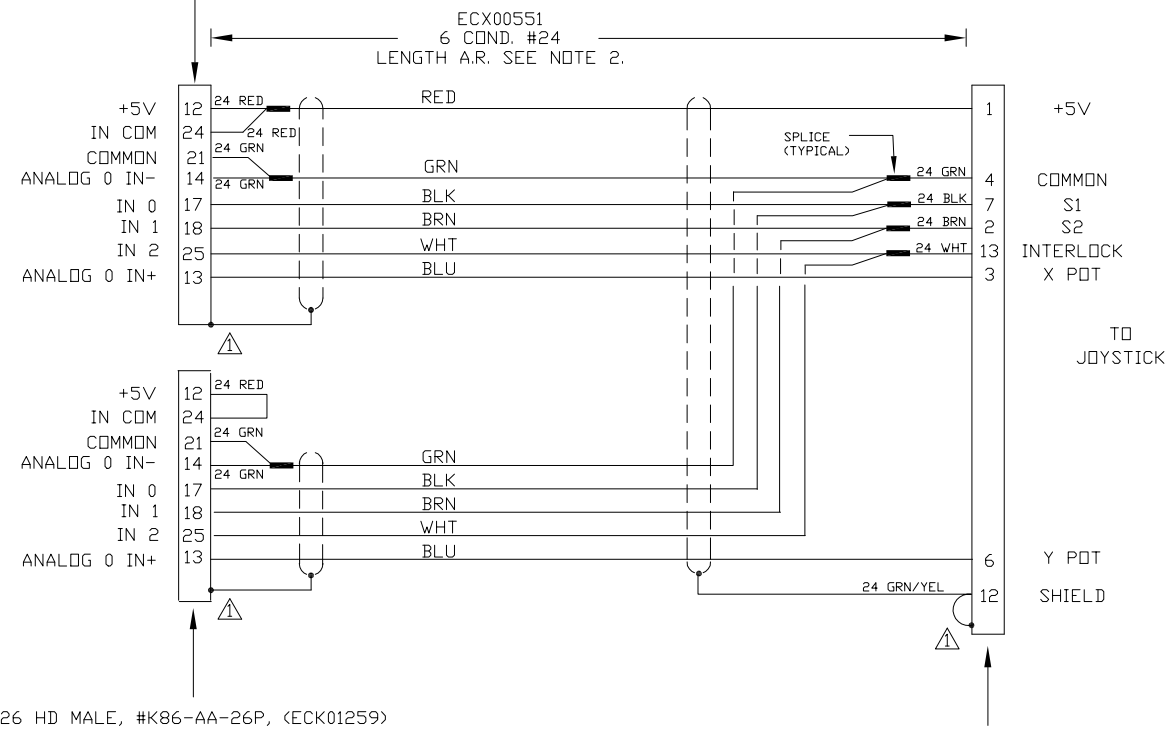


REVISIONS				
REV.	ZONE	DESCRIPTION	DATE	DRAWN

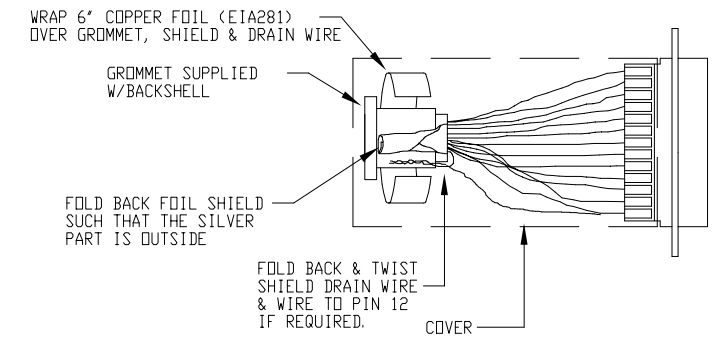
26 HD MALE, #K86-AA-26P, (ECK01259)
 BACKSHELL, #17-1725-2, (ECK01022)
 SEE NOTE 3 FOR CONNECTOR VIEW



26 HD MALE, #K86-AA-26P, (ECK01259)
 BACKSHELL, #17-1725-2, (ECK01022)
 SEE NOTE 3 FOR CONNECTOR VIEW

15 LINE FEMALE "D"
 DA-15S, ECK00326
 BACKSHELL, #17-1725-2, (ECK01022)
 JACKSOCKETS, #207719-3, (ECK00129)

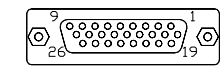
CONNECTOR SHIELDING



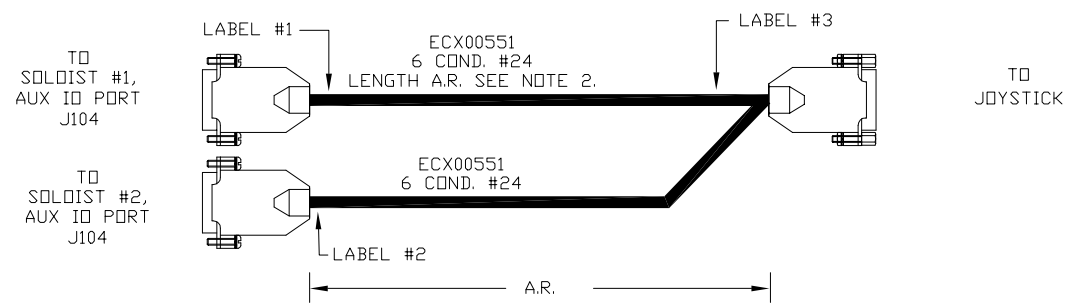
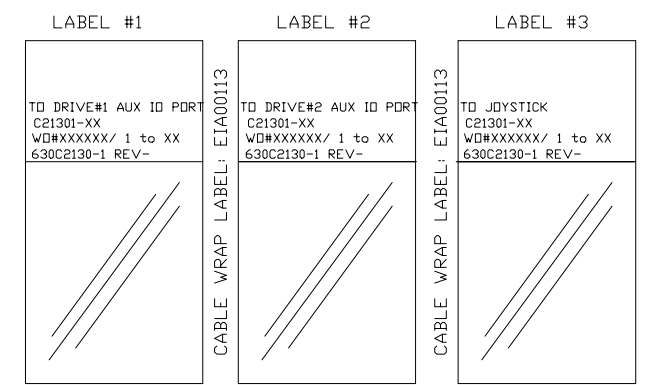
CABLE LENGTH

CAUTION, CABLE LENGTHS (XX) ARE IN DECIMETERS
 EXAMPLE: C21301-30
 30 = 30 DECIMETERS (3 METERS) = 10FT.

CONNECTOR VIEW FROM SOLDER SIDE.



LABELLING



PART CODE:		
C21301-XX	C21301-1 TO 380	LENGTHS 1 TO 38 METERS

PROPRIETARY INFORMATION
 THIS DRAWING IS THE PROPERTY
 OF AEROTECH, INC. AND IS
 SUBMITTED IN CONFIDENCE AND
 SHALL NOT BE REPRODUCED NOR
 COPIED NOR DISCLOSED TO OTHERS
 UNDER PENALTY OF LAW.

AEROTECH®
 AEROTECH, INC. 101 Zeta Drive
 Pittsburgh, PA. 15238
 (412)963-7470
 www.aerotech.com

TOLERANCES ON
 FRACTIONS DECIMALS ANGLES
 0 TO 6 ± 1/32 .XX ± .01 ± 0-30°
 OVER 6 ± 1/16 .XXX ± .005

**Soloist CP 2 Axis
 Joystick Adapter Cable**
 CABLE: JSXT-26HDU 26HDU-15DU-MAX380DM

RMS FINISH	AGS	EXCEPT AS NOTED
DRAWN	AGS	1/06
CHECKED	EJB	1/06
APPD.	EJB	1/06

PART CODE	SIZE	REV.
C21301	C	630C2130-1
SCALE FULL	FILE NAME 630C2130-101.DWG	SHEET 1 OF 1