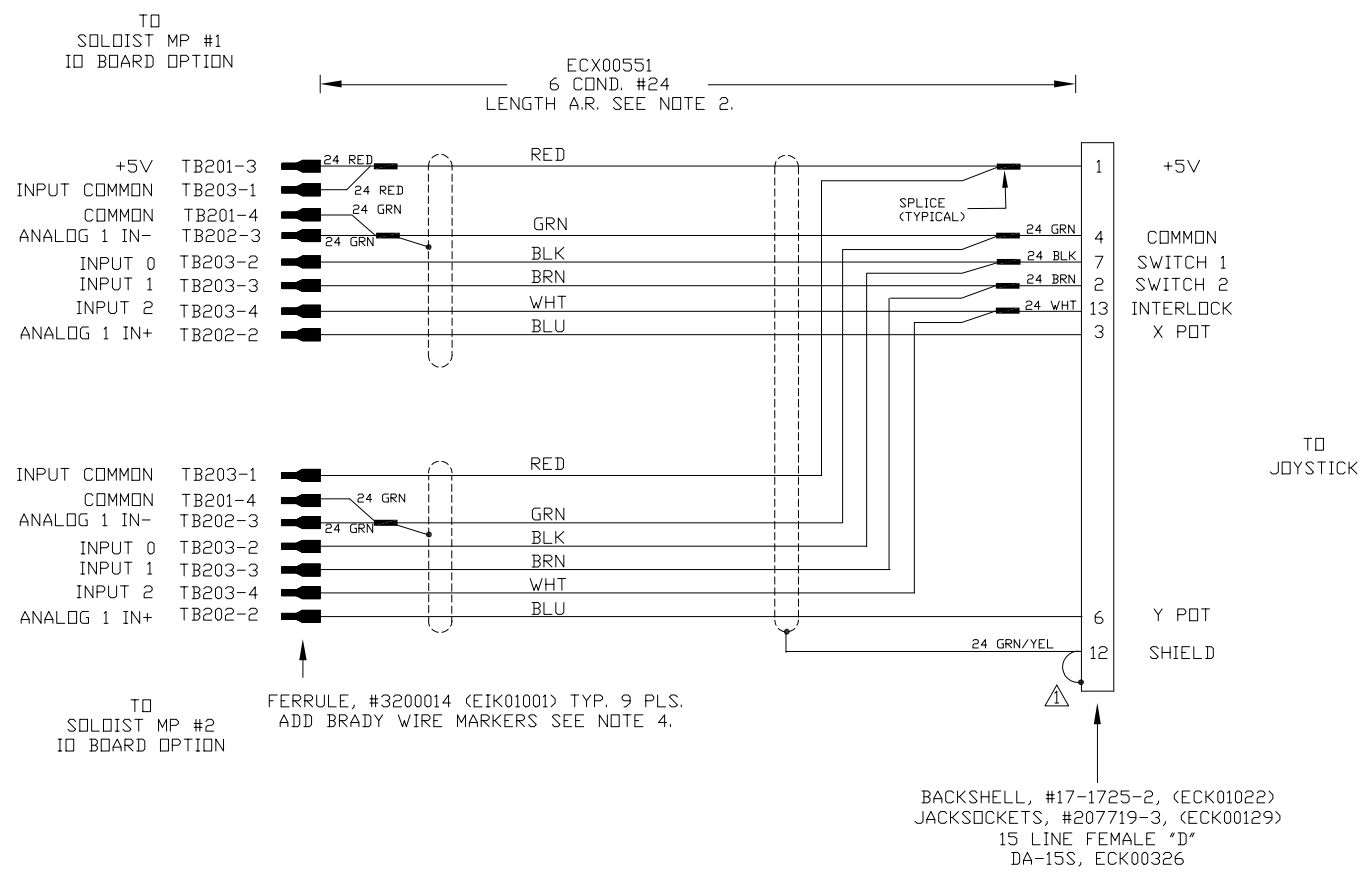
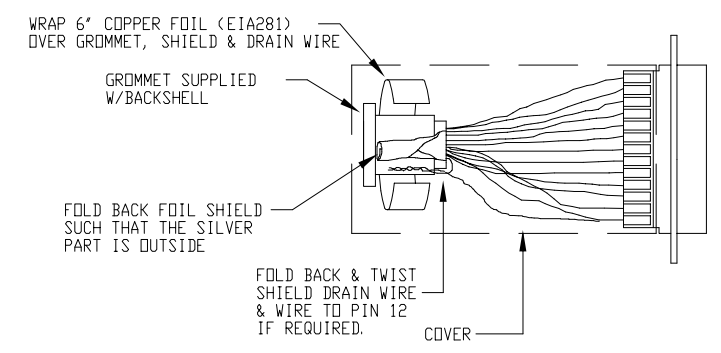


REVISIONS				
REV.	ZONE	DESCRIPTION	DATE	DRAWN



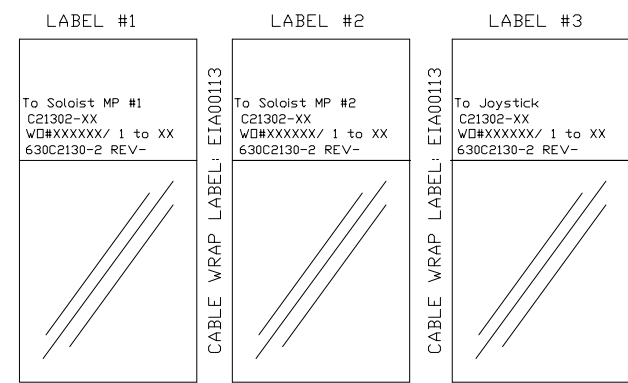
CONNECTOR SHIELDING



CABLE LENGTH

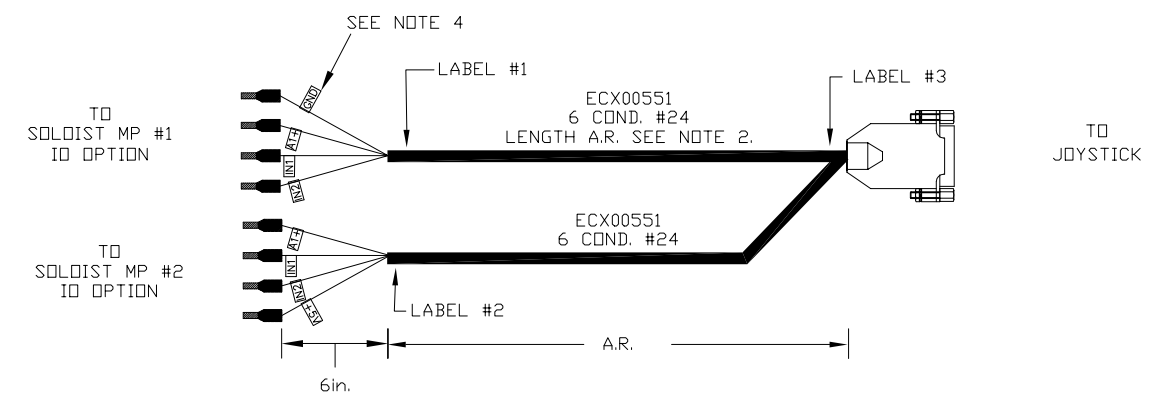
CAUTION, CABLE LENGTHS (XX) ARE IN DECIMETERS
EXAMPLE: C21302-30
30 = 30 DECIMETERS (3 METERS) = 10FT.

LABELLING



WIRE MARKERS

FLAG WIRES WITH BRADY LABELS
COMPUTER FILE NO. 630B2130-201.



PART CODE:

C21302-XX	C21302-1 TO 380	LENGTHS 1 TO 38 METERS
-----------	-----------------	------------------------

PROPRIETARY INFORMATION
THIS DRAWING IS THE PROPERTY OF AEROTECH, INC. AND IS SUBMITTED IN CONFIDENCE AND SHALL NOT BE REPRODUCED NOR COPIED NOR DISCLOSED TO OTHERS UNDER PENALTY OF LAW.



AEROTECH, INC. 101 Zeta Drive
Pittsburgh, PA. 15238
(412)963-7470
www.aerotech.com

FRACTIONS	DECIMALS	ANGLES
0 TO 6 ± 1/32	.XX ± .01	± 0-30'
OVER 6 ± 1/16	.XXX ± .005	

SOLOIST MP 2 AXIS JOYSTICK ADAPTER CABLE

CABLE: JSXT-FLY FLY-15DU-MAX380DM

RMS FINISH	EXCEPT AS NOTED	PART CODE	SIZE	REV.
DRAWN	9/25/6 JFM	C21302	C	-
CHECKED	9/26/6 AGS	630C2130-2		
APPD.	9/26/6 AGS	SCALE FULL	FILE NAME 630C2130-201.DWG	SHEET 1 OF 1