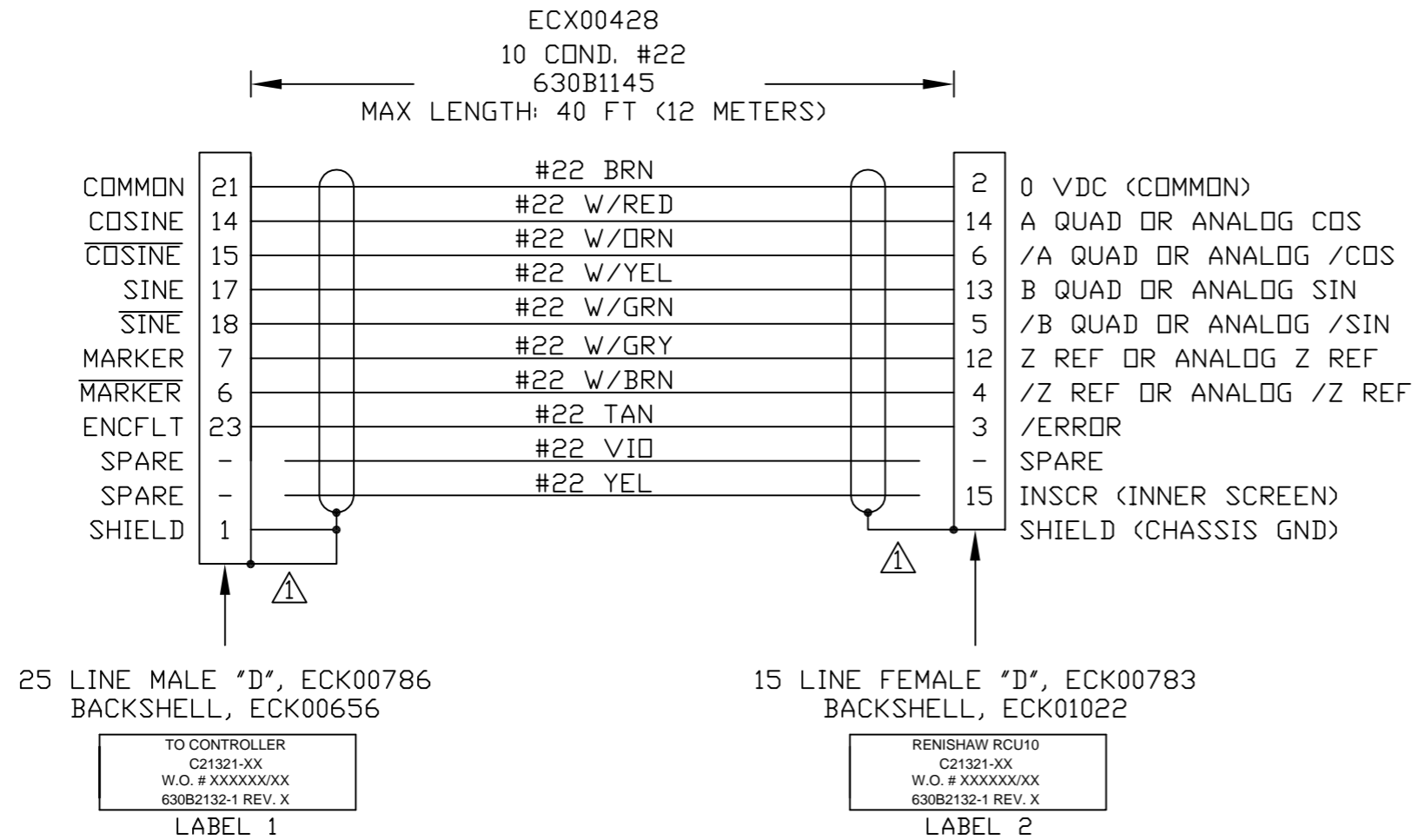


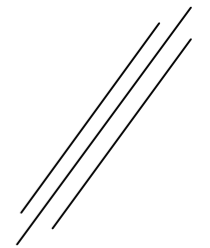
REVISIONS				
SYM.	ZONE	DESCRIPTION	DATE	APPROVAL



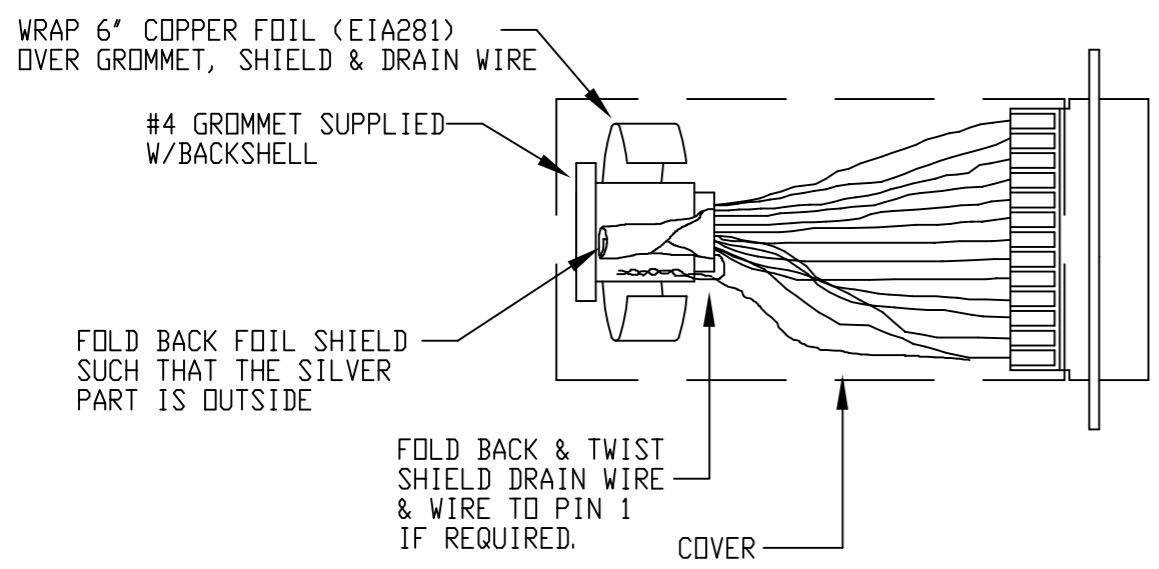
LABELS FOR
C21321 CABLES:
(2) REQUIRED,
(1 AT EACH END)

CABLE WRAP LABEL: EIA00113

DESTINATION
C21321-XX
W. O. # / 1 through X
630B2132-1 REV(-)



 CONNECTOR SHIELDING



PART CODE:

C21321-XX	C21321-10 TO 120	LENGTHS 1 TO 12 MTR
-----------	------------------	---------------------

PROPRIETARY INFORMATION
THIS DRAWING IS THE PROPERTY
OF AEROTECH, INC. AND IS
SUBMITTED IN CONFIDENCE AND
SHALL NOT BE REPRODUCED NOR
COPIED NOR DISCLOSED TO OTHERS
UNDER PENALTY OF LAW.



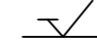
AEROTECH®
AEROTECH, INC. 101 Zeta Drive
Pittsburgh, PA. 15238
(412)963-7470
www.aerotech.com

TOLERANCES ON

FRACTIONS	DECIMALS	ANGLES
0 TO 6 ± 1/32	.XX ± .01	± 0-30'
OVER 6 ± 1/16	.XXX ± .005	

**RENISHAW RCU10
COMPENSATOR FEEDBACK CABLE**

CABLE: LAS FB-25DU-15DU-RCU10-MAX120DM

RMS FINISH		EXCEPT AS NOTED
DRAWN	EJB	1/12/06
CHECKED	JLD	1/12/06
APPD.	JLD	1/12/06

PART CODE	SIZE	REV.
SEE ABOVE	B	-
630B2132-1		
SCALE -	FILE NAME 630B2132-101.DWG	SHEET 1 OF 1