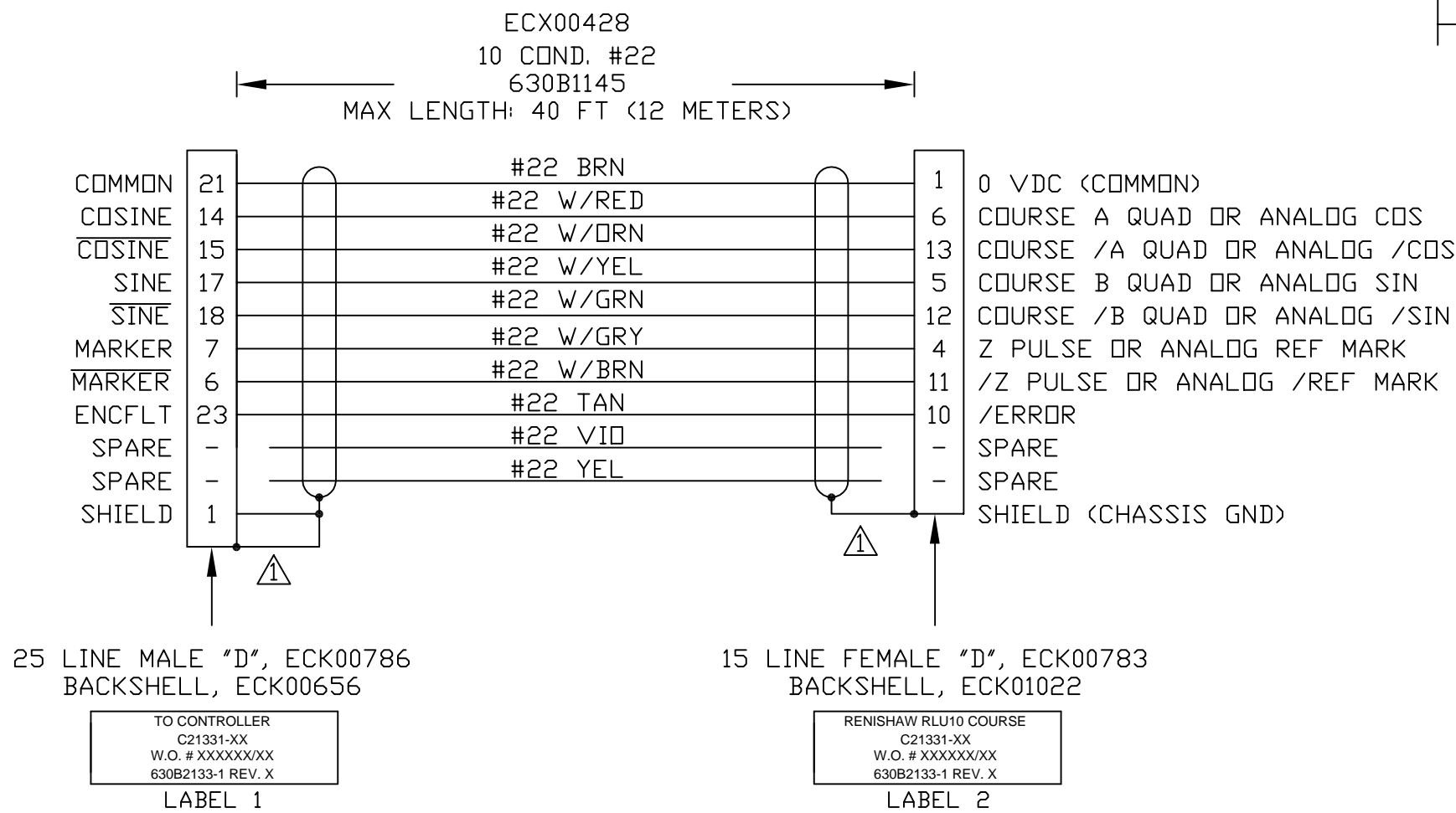


REVISIONS				
SYM.	ZONE	DESCRIPTION	DATE	APPROVAL

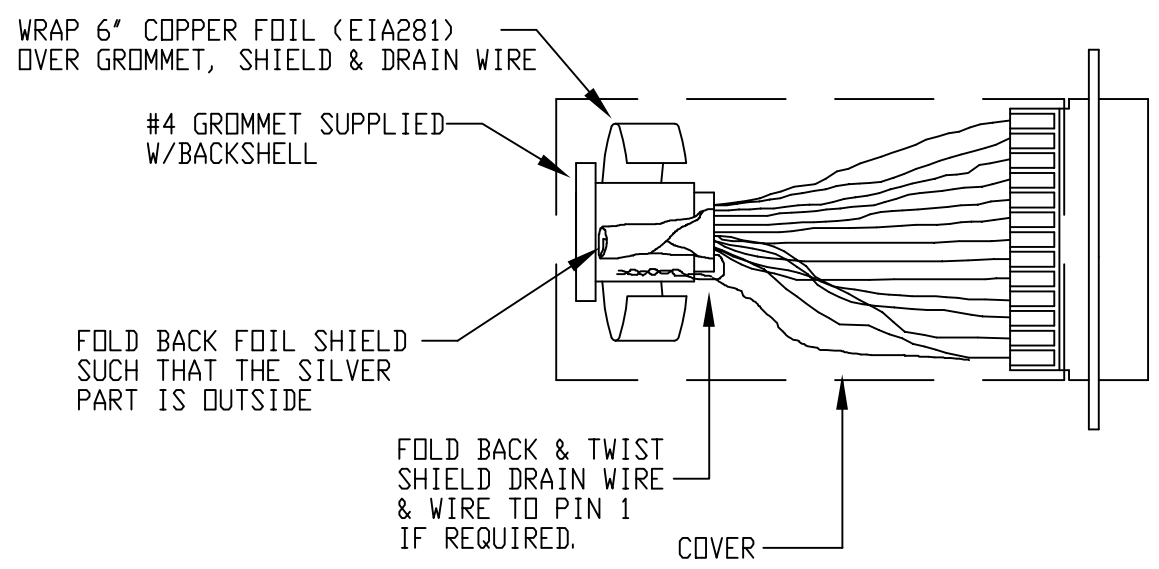


LABELS FOR C21331 CABLES:  
(2) REQUIRED,  
(1 AT EACH END)

DESTINATION  
C21331-XX  
W. O. # / 1 through X  
630B2133-1 REV(-)

CABLE WRAP LABEL: EIA00113

CONNECTOR SHIELDING



PART CODE:

C21331-XX	C21331-10 TO 120	LENGTHS 1 TO 12 MTR
-----------	------------------	---------------------

**PROPRIETARY INFORMATION**  
THIS DRAWING IS THE PROPERTY OF AEROTECH, INC. AND IS SUBMITTED IN CONFIDENCE AND SHALL NOT BE REPRODUCED NOR COPIED NOR DISCLOSED TO OTHERS UNDER PENALTY OF LAW.

**AEROTECH**®  
AEROTECH, INC. 101 Zeta Drive  
Pittsburgh, PA. 15238  
(412)963-7470  
www.aerotech.com

TOLERANCES ON

FRACTIONS	DECIMALS	ANGLES
0 TO 6 ± 1/32	.XX ± .01	± 0-30'
OVER 6 ± 1/16	.XXX ± .005	

**RENISHAW RLU10 LASER ENCODER  
COURSE FEEDBACK CABLE**

**CABLE: LAS FB-25DU-15DU-RLU10-COURSE-MAX120DM**

RMS FINISH		EXCEPT AS NOTED
DRAWN	EJB	1/12/06
CHECKED	AGS	1/12/06
APPD.	AGS	1/12/06

PART CODE <b>SEE ABOVE</b>	SIZE <b>B</b>	<b>630B2133-1</b>	REV. -
SCALE -	FILE NAME 630B2133-101.DWG	SHEET 1 OF 1	