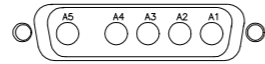


REVISIONS				
REV.	ZONE	DESCRIPTION	DATE	DRAWN

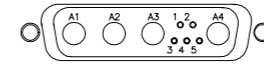
HI POWER "D" 5-PIN MALE (ECK01236) DETAILS



DETAIL "A"

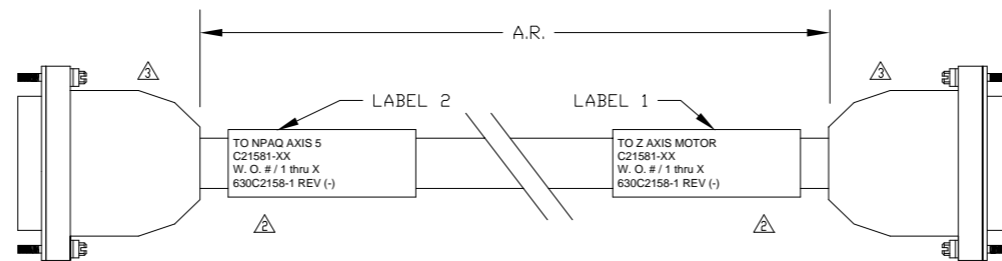
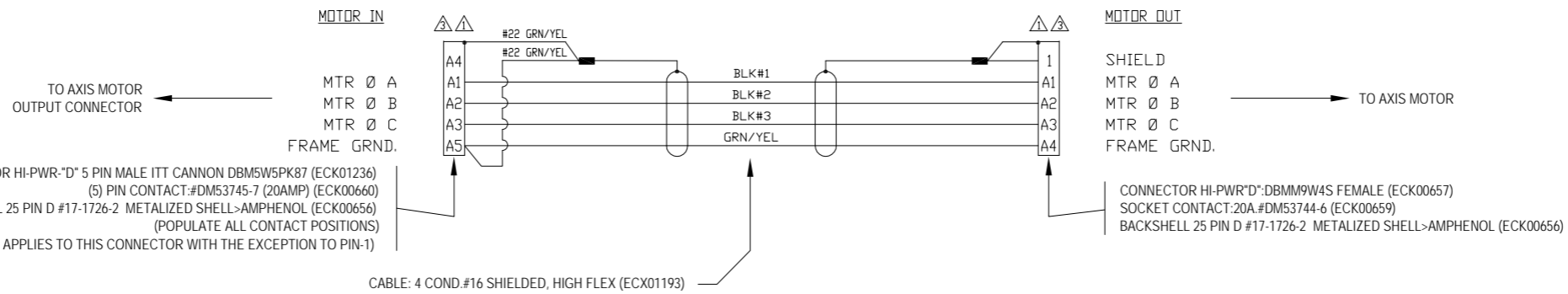
VIEWED FROM WIRE SIDE OF CONNECTOR

HI POWER "D" FEMALE (ECK00657) DETAILS

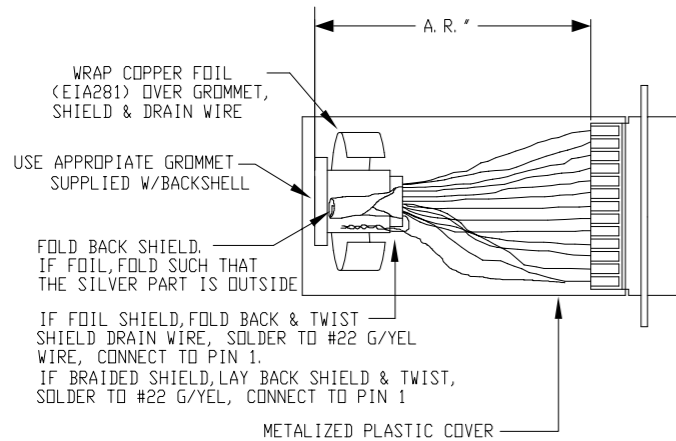


DETAIL "B"

VIEWED FROM WIRE SIDE OF CONNECTOR

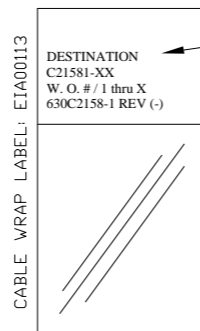


1 SHIELD TERMINATION WITH METALIZED PLASTIC COVERS WITH PIN 1 & SHIELD TIED TOGETHER.



2 CABLE LABELS LABEL CABLES AS PER ASSEMBLY VIEWS BELOW

LABELS FOR C21581 CABLES:  
(2) REQUIRED,  
(1 AT EACH END)



SEE LABELS 1 & 2 FOR DESTINATION

3 CONNECTOR HARDWARE ALL CONNECTOR HARDWARE IS ENGLISH (4-40)

<b>PROPRIETARY INFORMATION</b> THIS DRAWING IS THE PROPERTY OF AEROTECH, INC. AND IS SUBMITTED IN CONFIDENCE AND SHALL NOT BE REPRODUCED NOR COPIED NOR DISCLOSED TO OTHERS UNDER PENALTY OF LAW.			AEROTECH, INC. 101 Zeta Drive Pittsburgh, PA. 15238 (412)963-7470 www.aerotech.com	
TOLERANCES UNLESS OTHERWISE SPECIFIED: FRACTIONS DECIMALS ANGLES 0 TO 6 ± 1/32 .XX ± .01 ± 0-30' OVER 6 ± 1/16 .XXX ± .005			<b>BRUSHLESS MOTOR CABLE</b> <b>HIGH FLEX, 450 DECIMETERS (150') MAX LENGTH</b> <b>CABLE:BL MTR-5DU-4DU-HF-MAX450DM</b>	
RMS FINISH	EXCEPT AS NOTED	PART CODE	SIZE	REV.
		<b>C21581-XX</b>	<b>C</b>	<b>630C2158-1</b>
DRAWN	DCM	6/15/06	SCALE NTS	FILE NAME 630C2158-101.DWG
CHECKED	EJB	6/15/06	SHEET	1 OF 1
APPD.	EJB	6/15/06		