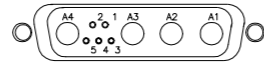


REVISIONS				
REV.	ZONE	DESCRIPTION	DATE	DRAWN

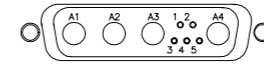
HI POWER "D" MALE (ECK00658) DETAILS



SOLDER SIDE  
DETAIL "A"

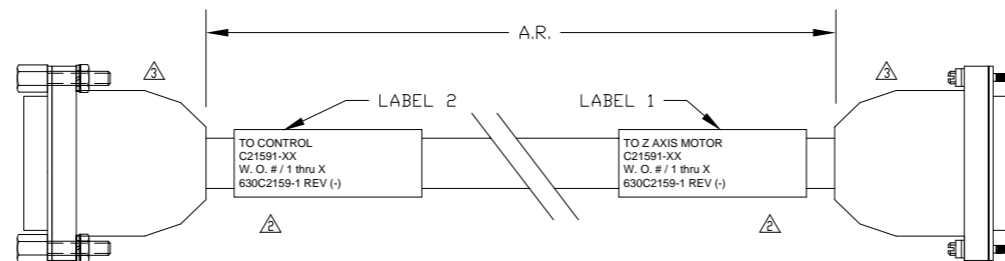
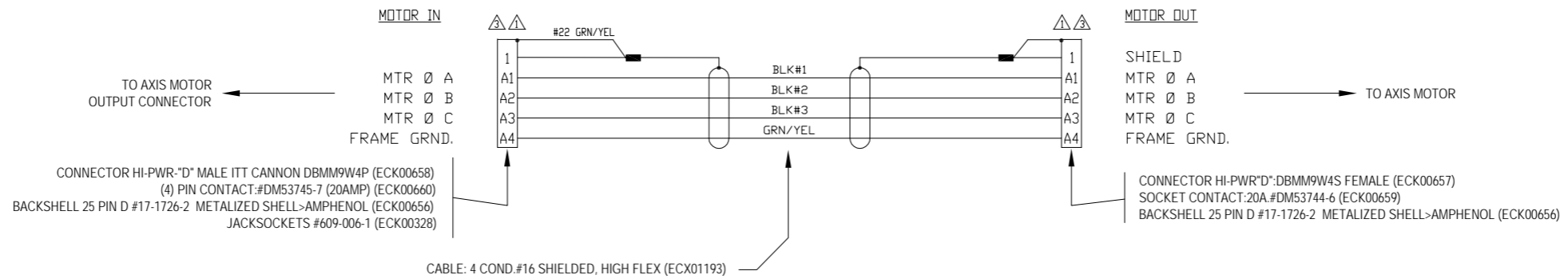
VIEWED FROM WIRE SIDE OF CONNECTOR

HI POWER "D" FEMALE (ECK00657) DETAILS

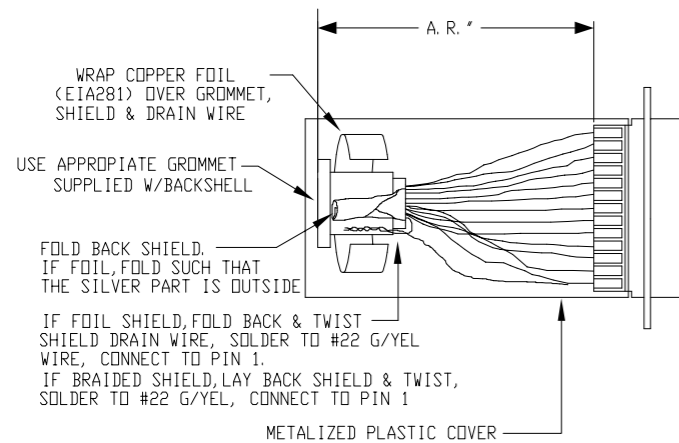


SOLDER SIDE  
DETAIL "B"

VIEWED FROM WIRE SIDE OF CONNECTOR

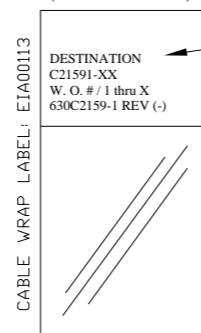


1 SHIELD TERMINATION WITH METALIZED PLASTIC COVERS WITH PIN 1 & SHIELD TIED TOGETHER.



2 CABLE LABELS  
LABEL CABLES AS PER ASSEMBLY VIEWS BELOW

LABELS FOR C21591 CABLES:  
(2) REQUIRED,  
(1 AT EACH END)



SEE LABELS 1 & 2 FOR DESTINATION

3 CONNECTOR HARDWARE  
ALL CONNECTOR HARDWARE IS ENGLISH (4-40)

<b>PROPRIETARY INFORMATION</b> THIS DRAWING IS THE PROPERTY OF AEROTECH, INC. AND IS SUBMITTED IN CONFIDENCE AND SHALL NOT BE REPRODUCED NOR COPIED NOR DISCLOSED TO OTHERS UNDER PENALTY OF LAW.			AEROTECH, INC. 101 Zeta Drive Pittsburgh, PA. 15238 (412)963-7470 www.aerotech.com	
TOLERANCES ON FRACTIONS DECIMALS ANGLES 0 TO 6 ± 1/32 .XX ± .01 ± 0-30' OVER 6 ± 1/16 .XXX ± .005			<b>BRUSHLESS MOTOR EXTENSION CABLE</b> <b>HIGH FLEX, 450 DECIMETERS (150') MAX LENGTH</b> <b>CABLE:BL MTR-4DU-4DU-EXT-HF-MAX450DM</b>	
RMS FINISH	✓	EXCEPT AS NOTED	PART CODE	SIZE
DRAWN	DCM	7/7/06	<b>C21591-XX</b>	<b>C</b>
CHECKED	EJB	7/7/06	<b>630C2159-1</b>	
APPD.	EJB	7/7/06	SCALE NTS	FILE NAME 630C2159-101.DWG
			SHEET	1 OF 1