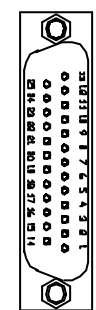
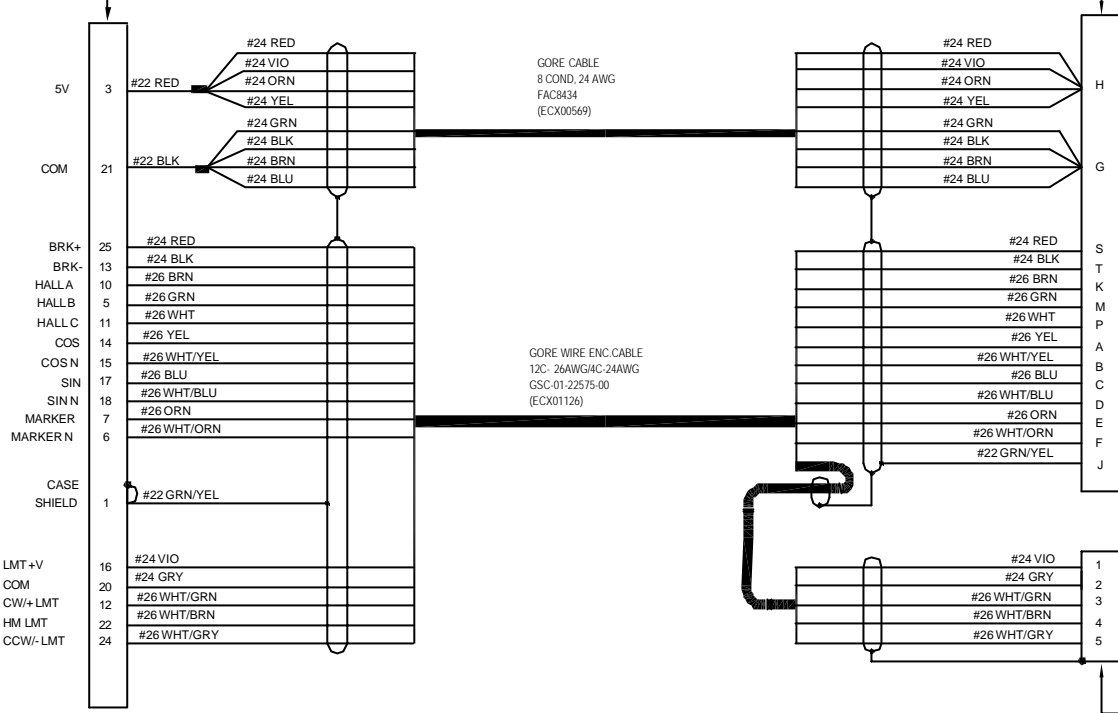


REVISIONS				
REV.	ZONE	DESCRIPTION	DATE	DRAWN
A		ADDED ECN 10809	JFM	1/29/2008

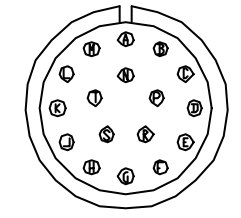
AXIS FEEDBACK CONNECTOR (DETAIL A)
25 PIN MALE D, #DB25P (ECK00101)
APPENDL BACKSHELL #17-1724-2 (ECK01021)



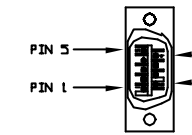
DETAIL A
DB25P (ECK00101)
VIEW: WIRING SIDE



AXIS FEEDBACK CONNECTOR (DETAIL B)
STRAIGHT PLUG MS2106A-20 (MCM454)
INSERT MS20-29S (MCM464)
CLAMP 97-3057-1012 (MCM457)
BUSHING AN3055-22-12 (MCM493)

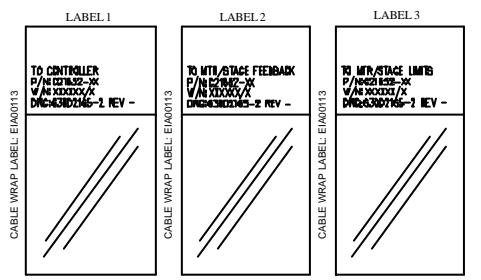
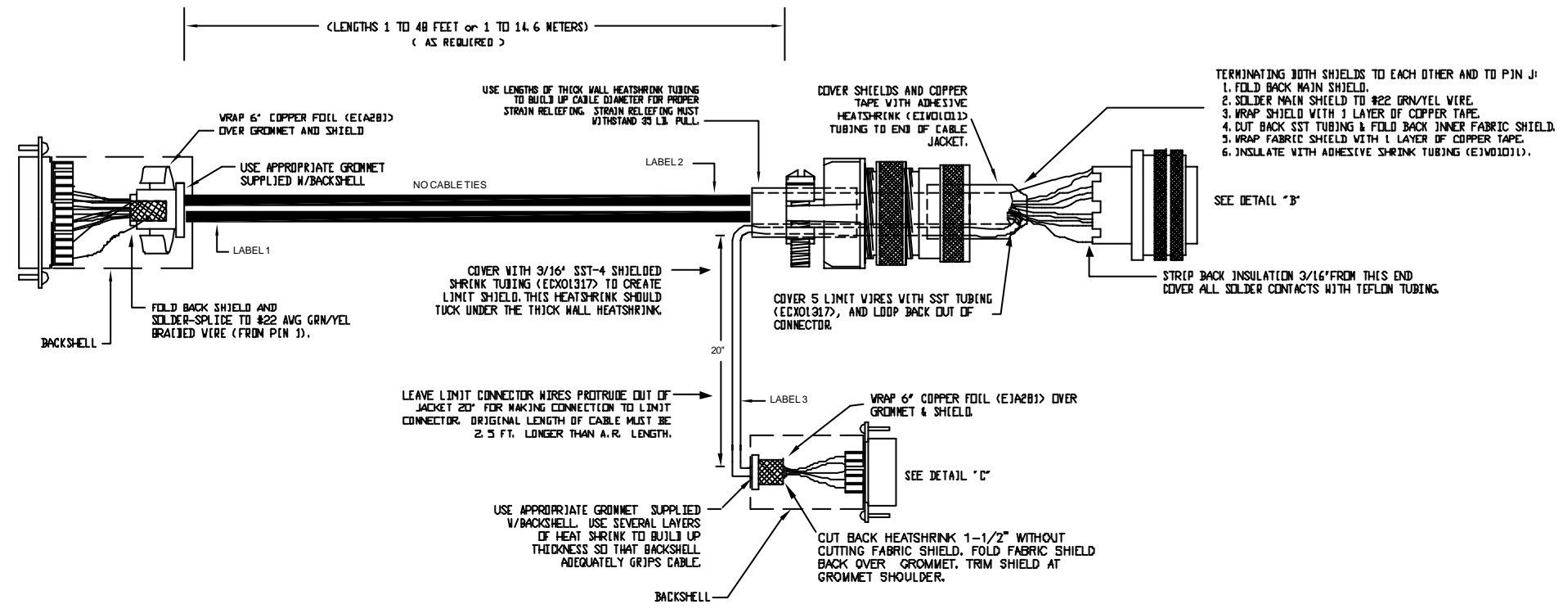


DETAIL B
MS20-29S FEMALE INSERT (MCM00464)
VIEW: WIRING SIDE



DETAIL C
DE9S (ECK00340)
VIEW: WIRING SIDE

AXIS LIMIT CONNECTOR (DETAIL C)
9 PIN FEMALE J, #DE9S (ECK00340)
APPENDL BACKSHELL #17-1724-2 (ECK01021)



QTY.: 1 WORK ORDER: #####
 CUSTOMER NAME: XXXXXXXXX
 ORDER NUMBER: #####
 APPROVED BY: XXX
 RELEASE DATE: #####/####/
 CUST FILE NAME: XXXXXXXX 630D2165-2A1 Feedback Cable.Dwg

PROPRIETARY INFORMATION
 THIS DRAWING IS THE PROPERTY
 OF AEROTECH, INC. AND IS
 SUBMITTED IN CONFIDENCE AND
 SHALL NOT BE REPRODUCED NOR
 COPIED NOR DISCLOSED TO OTHERS
 UNDER PENALTY OF LAW.

AEROTECH
 AEROTECH, INC. 101 Zeta Drive
 Pittsburgh, PA. 15238
 (412)963-7470
 www.aerotech.com

TOLERANCES UNLESS OTHERWISE SPECIFIED:
 DIMENSIONS IN INCHES: FRACTIONS DECIMALS ANGLES
 1/16 0.0005 0.001 0.001 0.001

RMS FINISH: EXCEPT AS NOTED

BRUSHLESS FEEDBACK CABLE, HI FLEX
 146 DECIMETERS (48") MAX LENGTH
 CABLE: BL FB-25DU-17MS 9DU-HF-GORE-MAX146DM

DRAWN	AGS	10/05/06	PART CODE	SIZE	REV.
CHECKED	JAB	10/05/06	C21652-XX	D	A
APPD.	JAB	10/05/06	SCALE	FILE NAME	SHEET
			NTS	630D2165-2A1.DWG	1 of 1