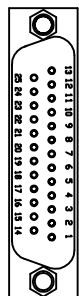
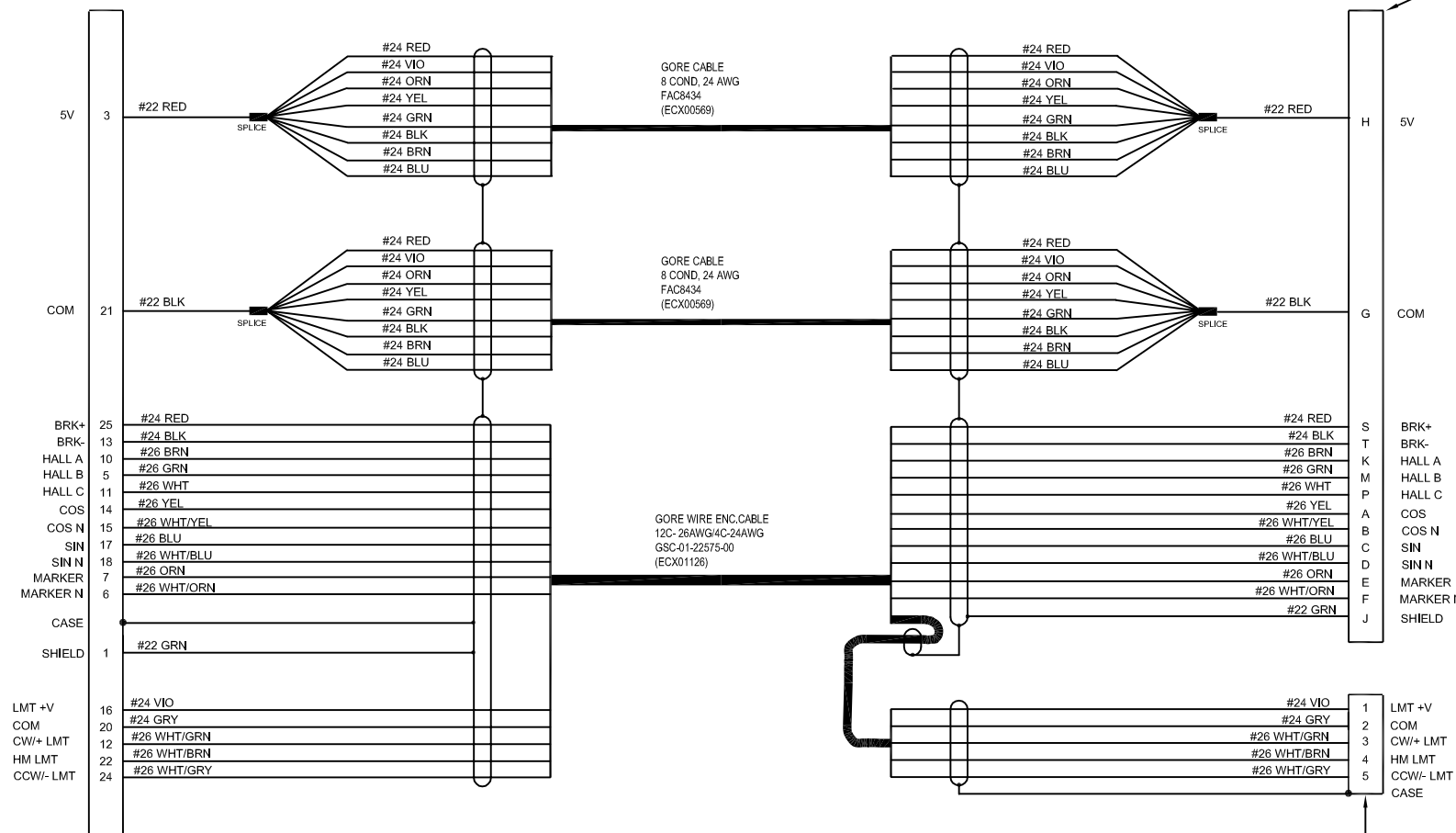


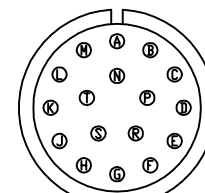
AXIS FEEDBACK CONNECTOR (DETAIL A)
25 PIN MALE D, #DB25P (ECK00101)
AMPHENOL BACKSHELL #17-1724-2 (ECK00656)



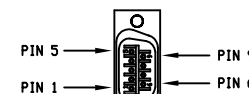
DETAIL A
DB25P (ECK00101)
VIEW: WIRING SIDE



AXIS FEEDBACK CONNECTOR (DETAIL B)
STRAIGHT PLUG MS3106A-20 (MCM454)
INSERT MS20-29S (MCM464)
CLAMP 97-3057-1012 (MCM457)
BUSHING AN3055-22-12 (MCM493)



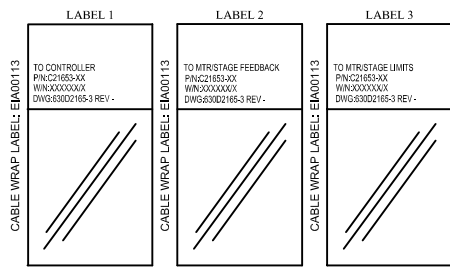
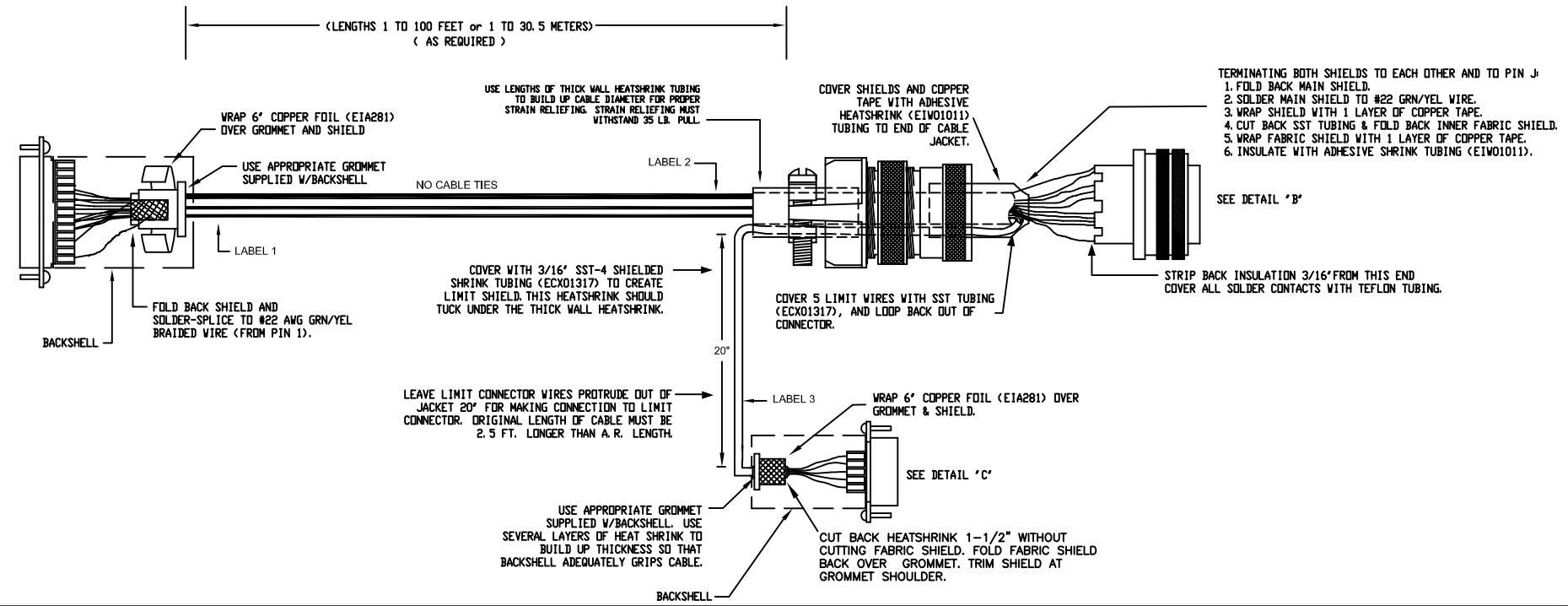
DETAIL B
MS20-29S FEMALE INSERT (MCM00464)
VIEW: WIRING SIDE



DETAIL C
DE9S (ECK00340)
VIEW: WIRING SIDE

AXIS LIMIT CONNECTOR (DETAIL C)
9 PIN FEMALE D, #DE9S (ECK00340)
AMPHENOL BACKSHELL #17-1724-2 (ECK01021)

REVISIONS				
REV.	ZONE	DESCRIPTION	DATE	DRAWN



QTY.: 1 WORK ORDER: #####
CUSTOMER NAME: XXXXXXXXX
ORDER NUMBER: #####
APPROVED BY: XXX
RELEASE DATE: #####
CUST FILE NAME: XXXXXXXX 630D2165-301 Feedback Cable.Dwg

PROPRIETARY INFORMATION THIS DRAWING IS THE PROPERTY OF AEROTECH, INC. AND IS SUBMITTED IN CONFIDENCE AND SHALL NOT BE REPRODUCED NOR COPIED NOR DISCLOSED TO OTHERS UNDER PENALTY OF LAW.		AEROTECH, INC. 101 Zeta Drive Pittsburgh, PA, 15238 (412)863-7470 www.aerotech.com	
TOLERANCES ON FRACTIONS DECIMALS ANGLES 0 TO 6 1/32 .XX .01 ± 0-30° OVER 6 1/16 .XXX .005		BRUSHLESS FEEDBACK CABLE, HI FLEX 305 DECIMETERS (100') MAX LENGTH CABLE: BL FB-25DU-17MS 9DU-HF65-MAX305DM	
RMS FINISH	EXCEPT AS NOTED	PART CODE C21653-XX	SIZE D
DRAWN AGS	7-12-08	FILE NAME 630D2165-301.DWG	SHEET 1 of 1