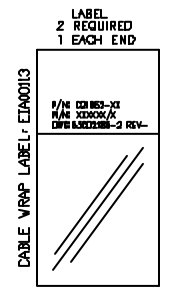
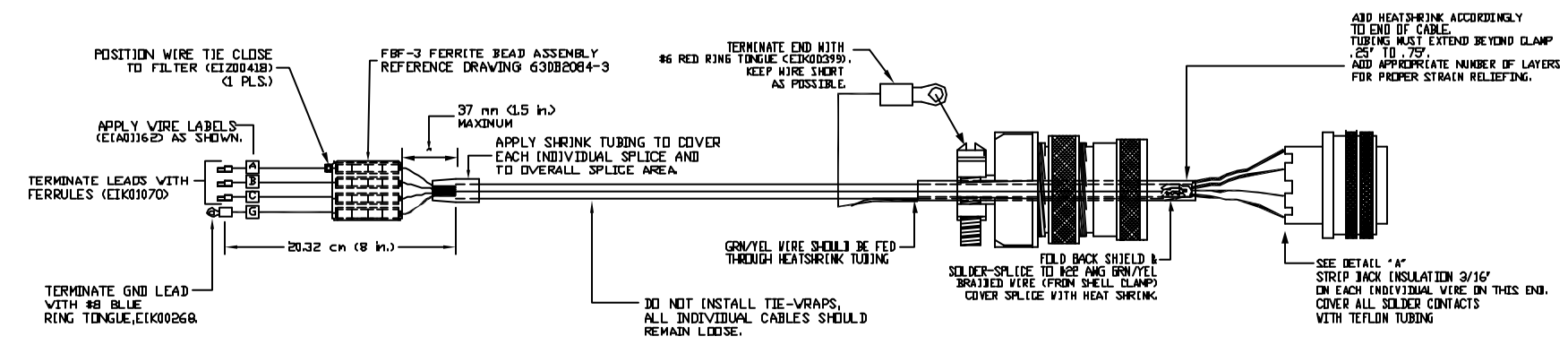
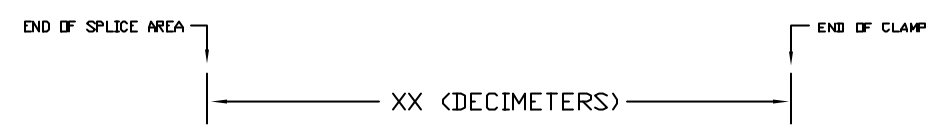


DETAIL "A"

VIEWED FROM WIRE SIDE OF CONNECTOR
ASSEMBLY SOCKET INSERT NS18-10S (MCM495)

STRAIGHT PLUG NS3106A-18 (MCM475)
INSERT NS18-10S (MCM495)
CLAMP 97-3057-1010 (MCM477)
BUSHING AN3055-18-10 (MCM481)



PROPRIETARY INFORMATION THIS DRAWING IS THE PROPERTY OF AEROTECH, INC. AND IS SUBMITTED IN CONFIDENCE AND SHALL NOT BE REPRODUCED, COPIED, NOR DISCLOSED TO OTHERS UNDER PENALTY OF LAW.		PART CODE: C21862-XX		XX = CABLE LENGTH IN DEICIMETERS	
TOLERANCES UNLESS OTHERWISE SPECIFIED: FRACTIONS DECIMALS ANGLES 0 TO 6 ± 1/32 .XX ± .01 ± 1/8" OVER 6 ± 1/16 .XXX ± .003		AEROTECH, INC. 101 Zeta Drive Pittsburgh, PA. 15238 (412)963-7470 www.aerotech.com		BRUSHLESS MOTOR CABLE 450 DECIMETERS (150') MAX LENGTH CABLE: BL MTR-FLB3-4MS-HF60-8ARMS-MAX450DM	
DRAWN	ACS	5/11/17	PART CODE	SIZE	REV.
CHECKED	JAB	5/11/17	C21862-XX	D	630D2186-2
APPD.	JAB	5/11/17	SCALE FULL	FILE NAME 630D2186-201.DWG	SHEET 1 OF 1