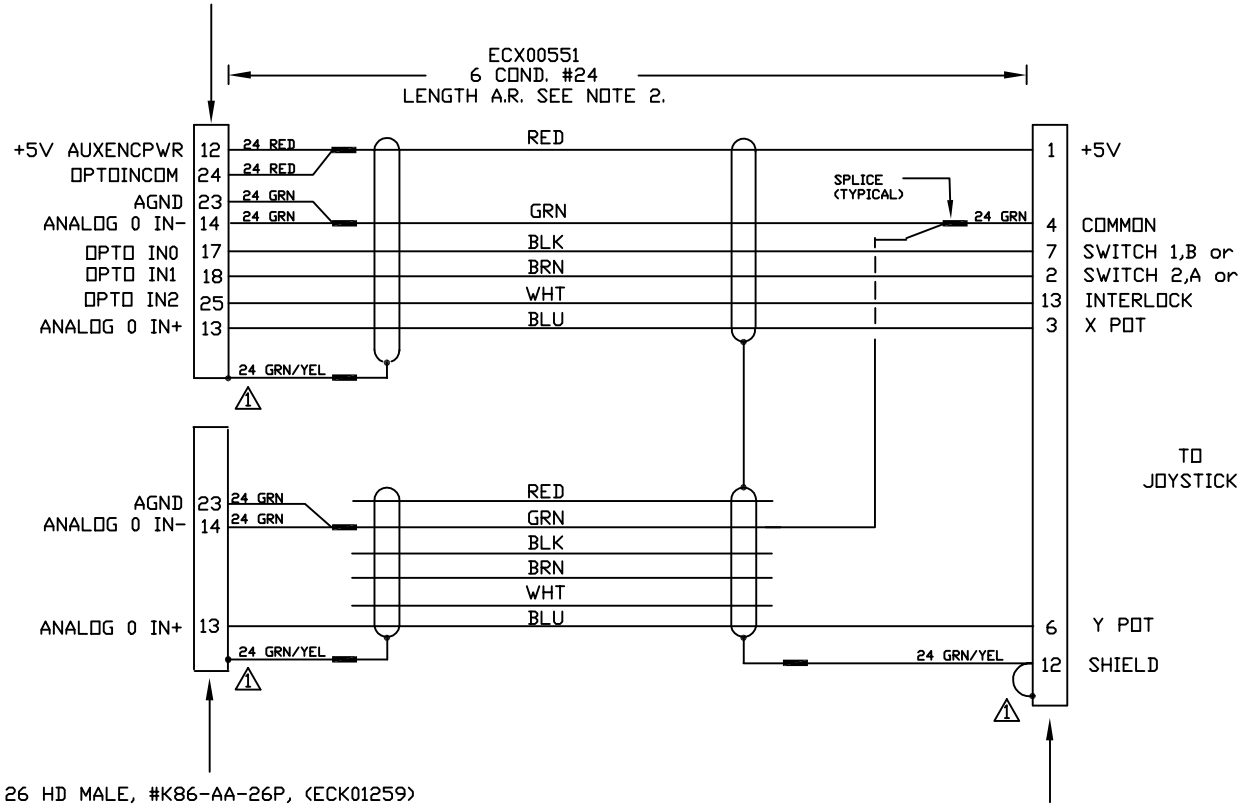


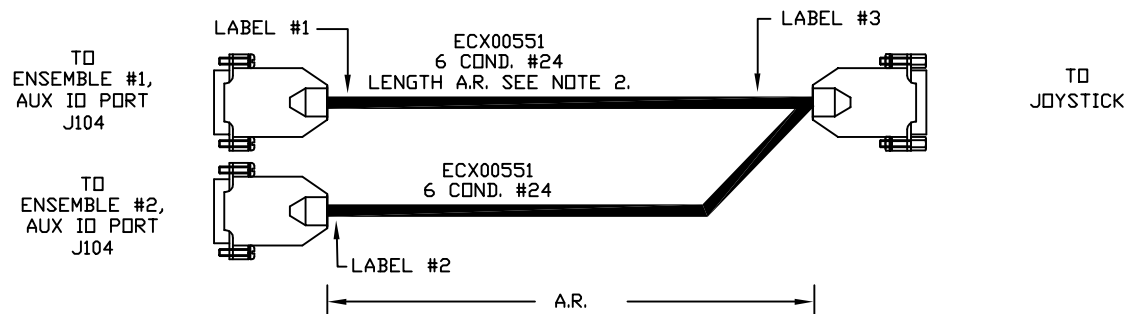
REVISIONS				
REV.	ZONE	DESCRIPTION	DATE	DRAWN

26 HD MALE, #K86-AA-26P, (ECK01259)  
 BACKSHELL, #17-1725-2, (ECK01022)  
 SEE NOTE 3 FOR CONNECTOR VIEW

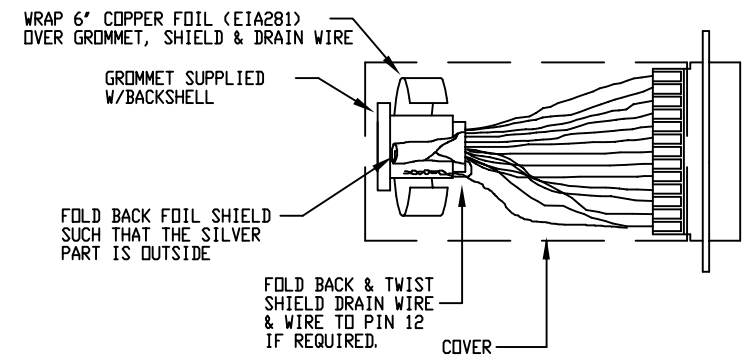


26 HD MALE, #K86-AA-26P, (ECK01259)  
 BACKSHELL, #17-1725-2, (ECK01022)  
 SEE NOTE 3 FOR CONNECTOR VIEW

15 LINE FEMALE 'D'  
 DA-15S, ECK00326  
 BACKSHELL, #17-1725-2, (ECK01022)  
 JACKSOCKETS, #207719-3, (ECK00129)



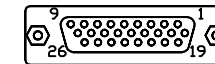
**CONNECTOR SHIELDING**



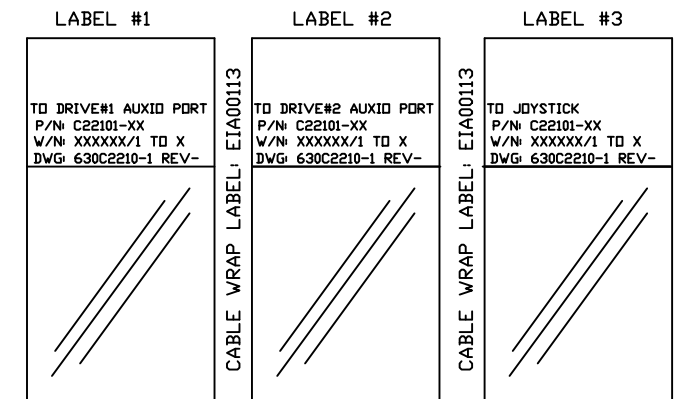
**CABLE LENGTH**

CAUTION, CABLE LENGTHS (XX) ARE IN DECIMETERS  
 EXAMPLE: C21301-30  
 30 = 30 DECIMETERS (3 METERS) = 10FT.

**CONNECTOR VIEW FROM SOLDER SIDE.**



**LABELLING**



PART CODE:

C22101-XX	C22101-1 TO 380	LENGTHS 1 TO 38 METERS
-----------	-----------------	------------------------

PROPRIETARY INFORMATION  
 THIS DRAWING IS THE PROPERTY  
 OF AEROTECH, INC. AND IS  
 SUBMITTED IN CONFIDENCE AND  
 SHALL NOT BE REPRODUCED NOR  
 COPIED NOR DISCLOSED TO OTHERS  
 UNDER PENALTY OF LAW.



AEROTECH, INC. 101 Zeta Drive  
 Pittsburgh, PA. 15238  
 (412)963-7470  
 www.aerotech.com

TOLERANCES ON  
 FRACTIONS DECIMALS ANGLES  
 0 TO 6 ± 1/32 .XX ± .01 ± 0-30'  
 OVER 6 ± 1/16 .XXX ± .005

**JOYSTICK ADAPTER CABLE  
 2 AXIS ENSEMBLECP**

CABLE: JSXT-26HDU 26HDU-15DU-MAX380DM

RMS FINISH	EXCEPT AS NOTED	DRAWN	AGS	12/07	PART CODE	SIZE	REV.
CHECKED	EJB	12/07	C22101-XX	C	630C2210-1	-	-
APPD.	EJB	12/07	SCALE FULL	FILE NAME	630C2210-101.DWG	SHEET	1 OF 1