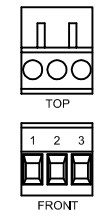
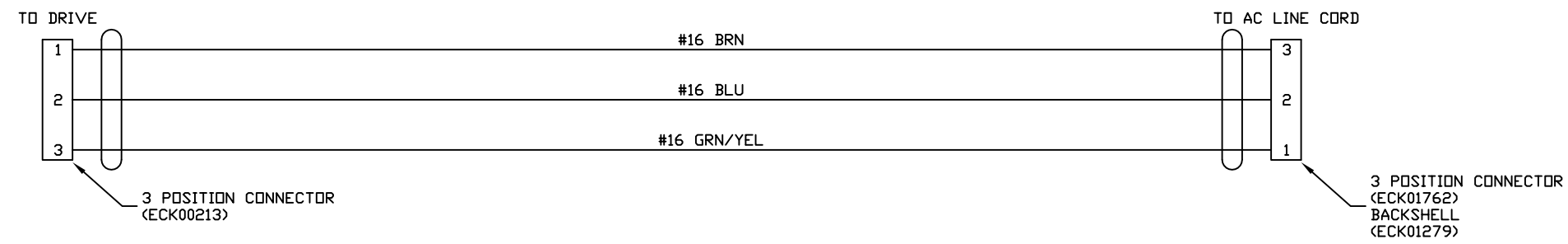
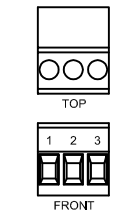


REVISIONS				
REV.	ZONE	DESCRIPTION	DATE	DRAWN
A		ADDED ECN11440	10/08	WG



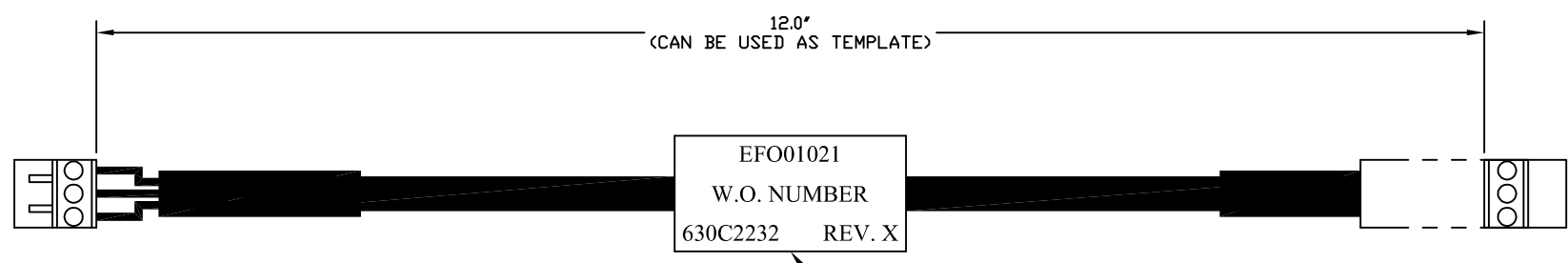
ECK00213  
PIN  
NUMBERING  
(REF)



ECK01762  
PIN  
NUMBERING  
(REF)

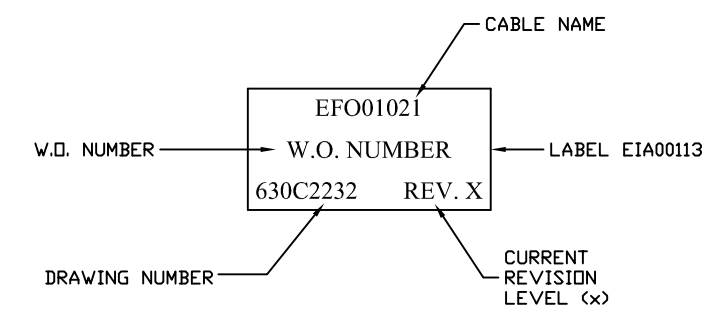
SCHEMATIC

- 3) ASSEMBLY INSTRUCTIONS:
- (SEE DETAIL 'A' FOR STEPS B THRU E)
  - A) START WITH 13' OF ECX01030 CABLE.
  - B) ON EACH END, STRIP JACKET BACK 1-3/4".
  - C) CUT OFF DRAIN WIRE, FOIL SHIELD, & FILLER CORD FROM EACH END.
  - D) STRIP EACH WIRE 3/8".
  - E) INSTALL A 1-1/2" PIECE OF HEATSHRINK TUBING (EIW00106) ON EACH END. 1/2" OF OUTSIDE JACKET TO BE COVERED BY HEATSHRINK TUBING.
  - F) INSTALL CONNECTORS AS SHOWN IN SCHEMATIC.
  - G) ADD BACKSHELL (ECK01279) TO CONNECTOR (ECK01762). TIE WRAP CABLE TO BACKSHELL FOR STRAIN RELIEF.
- 2.) INCLUDE SPARE BACKSHELL (ECK01279) WITH CABLE TO BE USED ON CUSTOMER'S EXISTING LINE CORD.

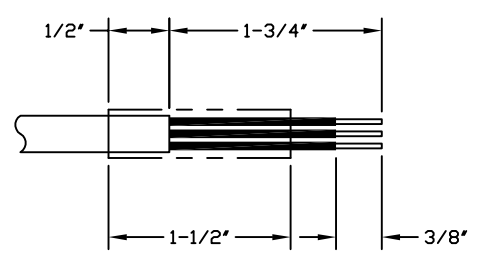


LABEL WRAPS AROUND  
CABLE AND COVERS  
PRINTED AREA  
(APPLY TO CENTER  
OF CABLE)

ASSEMBLY



- 1.) LABEL INFORMATION:  
NOTES:



DETAIL 'A'  
(NOT TO SCALE)

PROPRIETARY INFORMATION THIS DRAWING IS THE PROPERTY OF AEROTECH, INC. AND IS SUBMITTED IN CONFIDENCE AND SHALL NOT BE REPRODUCED NOR COPIED NOR DISCLOSED TO OTHERS UNDER PENALTY OF LAW.		AEROTECH, INC. 101 Zeta Drive Pittsburgh, PA. 15238 (412)963-7470 www.aerotech.com	
TOLERANCES ON FRACTIONS DECIMALS ANGLES 0 TO 6 ± 1/32 .XX ± .01 ± 0-30° OVER 6 ± 1/16 .XXX ± .005		<b>AC EXTENDER LINE CORD ASSEMBLY</b>	
RMS FINISH <input checked="" type="checkbox"/> EXCEPT AS NOTED		PART CODE SIZE EFO01021 C	
DRAWN WG 9/08 CHECKED DES 9/08 APPD. ARW 9/08	<b>630C2232</b>		REV. A
SCALE 1"=1'		FILE NAME 630C2232A1.DWG	SHEET 1 OF 1