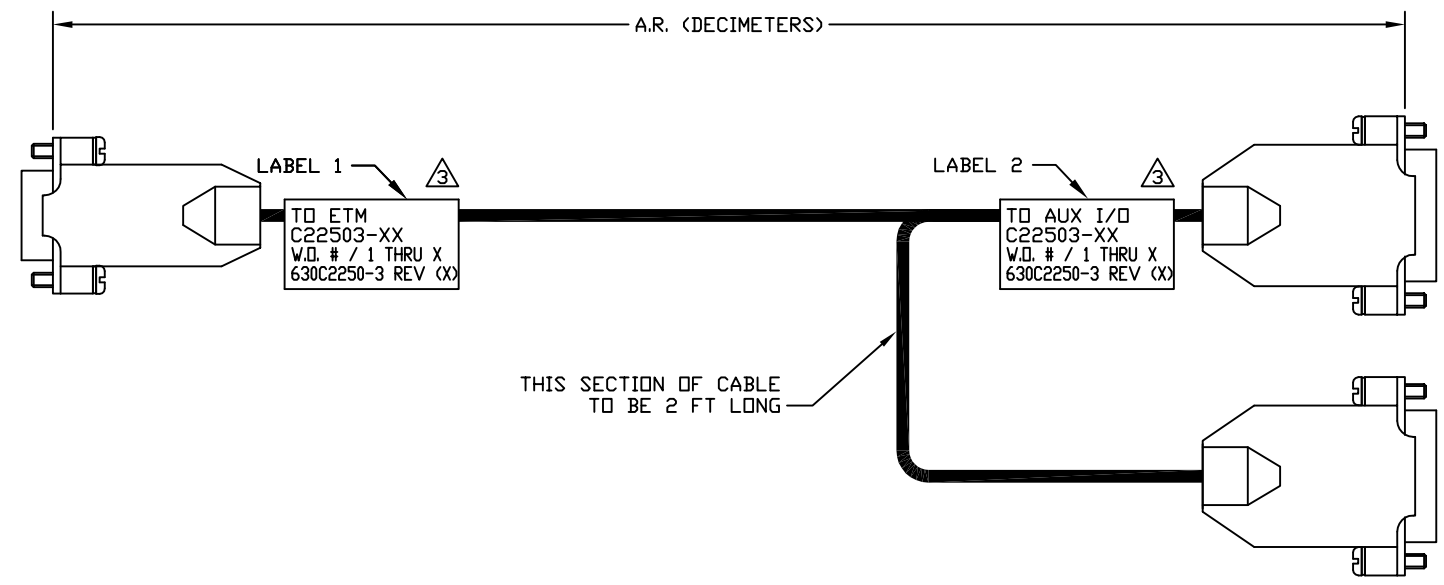
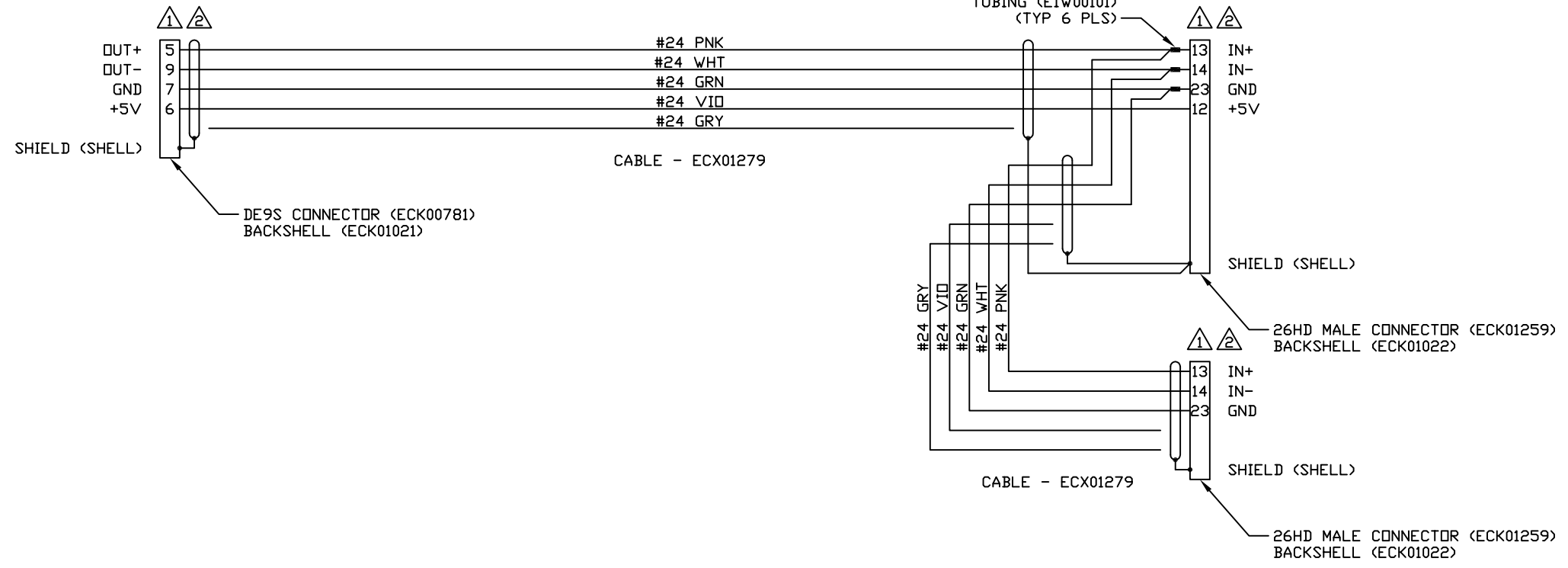


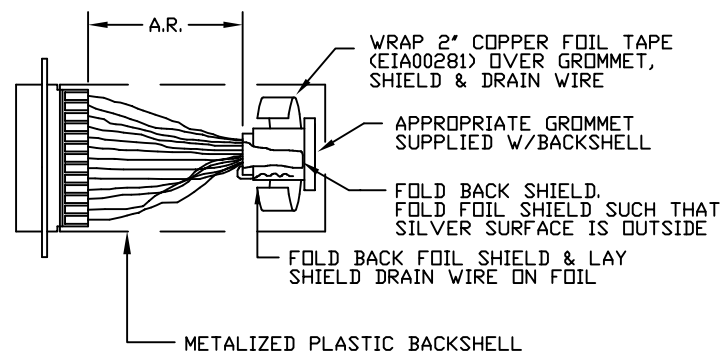
REVISIONS				
REV.	ZONE	DESCRIPTION	DATE	DRAWN



② UNUSED PINS NOT SHOWN.

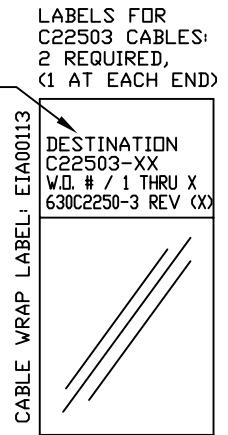
③ LABEL INFORMATION:
APPLY LABELS IN FLAG FASHION
SO THAT ALL TEXT IS VISIBLE.

① SHIELD TERMINATION WITH METALIZED PLASTIC BACKSHELLS



SEE LABELS 1 & 2 FOR DESTINATION

LABELS FOR C22503 CABLES: 2 REQUIRED, (1 AT EACH END)



PART CODE:		C22503-XX		C22503-1 TO -100 MAX LENGTH (DECIMETERS)	
PROPRIETARY INFORMATION THIS DRAWING IS THE PROPERTY OF AEROTECH, INC. AND IS SUBMITTED IN CONFIDENCE AND SHALL NOT BE REPRODUCED NOR COPIED NOR DISCLOSED TO OTHERS UNDER PENALTY OF LAW.					
TOLERANCES ON FRACTIONS DECIMALS ANGLES 0 TO 6 ± 1/32 .XX ± .01 ± 0-30' OVER 6 ± 1/16 .XXX ± .005					
RMS FINISH		EXCEPT AS NOTED			
DRAWN	WG	5/09	PART CODE	SIZE	REV.
CHECKED	DES	5/09	C22503-XX	C	-
APPD.	ARW	5/09	SCALE NTS	FILE NAME 630C2250-301.DWG	SHEET 1 OF 1

AEROTECH[®] AEROTECH, INC. 101 Zeta Drive
Pittsburgh, PA. 15238
(412)963-7470
www.aerotech.com

CABLE
ETM-26HD 26HD-9DU

630C2250-3