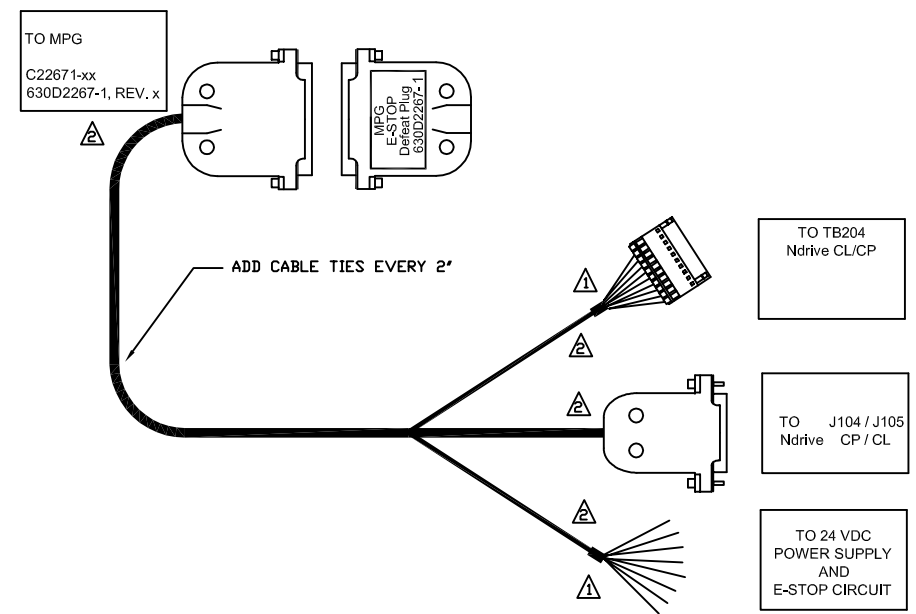
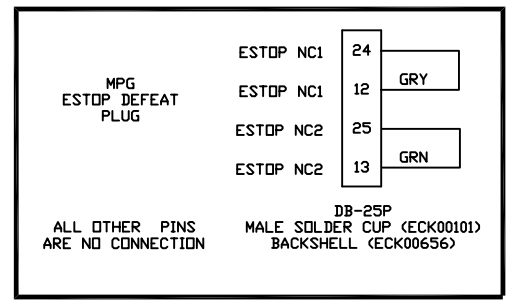
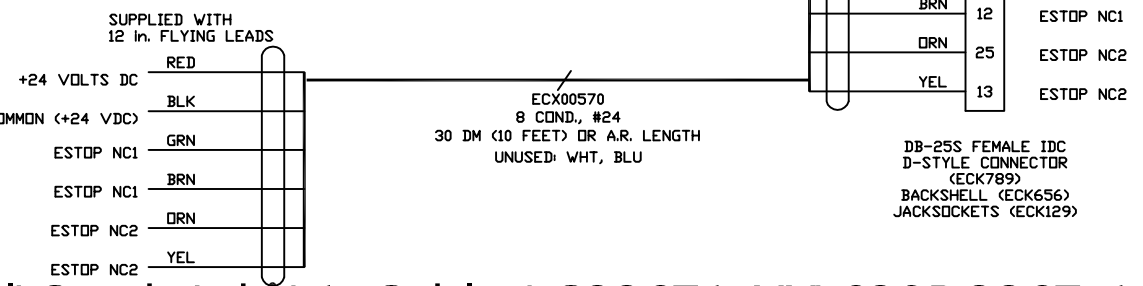
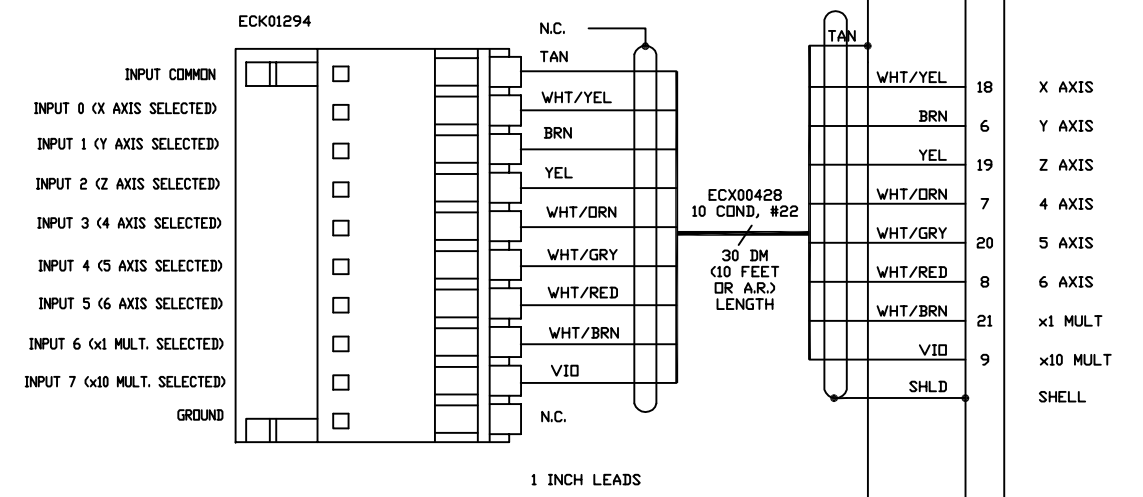
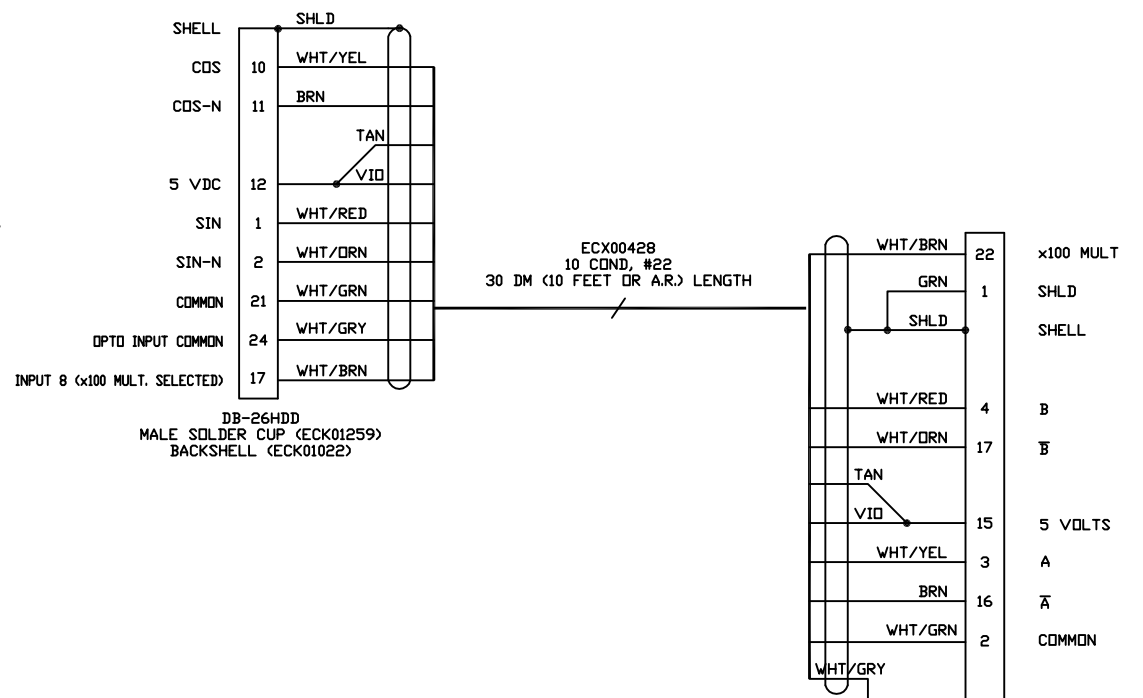


REVISIONS				
SYN.	ZONE	DESCRIPTION	DATE	APPROVAL

DO NOT REVISE THIS DWG.
 REVISE 630D2267-001.DWG AND RECREATE -1, -2, -3 AND -4 DWG'S.
 COPY REVISION LETTER FROM 630D2267-001.DWG TO ALL -1 THRU -4 DWG'S

TO (AUX I/O):
 Ndrive CL J105
 OR
 Ndrive CP J104



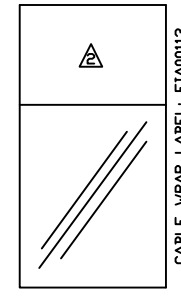
TO Ndrive CL/CP
 TB204

TO POWER SUPPLY
 (OPT. BRAKE24-2)
 AND
 E-STOP RELAY

DB-25S FEMALE IDC
 D-STYLE CONNECTOR
 (ECK789)
 BACKSHELL (ECK656)
 JACKS SOCKETS (ECK129)

⚠ LABEL CONNECTOR WITH EIA01195

⚠ LABEL EACH CABLE PER DEFINED TEXT WITH EIA00113



PROPRIETARY INFORMATION THIS DRAWING IS THE PROPERTY OF AEROTECH, INC. AND IS SUBMITTED IN CONFIDENCE AND SHALL NOT BE REPRODUCED NOR COPIED NOR DISCLOSED TO OTHERS UNDER PENALTY OF LAW.		AEROTECH, INC. 101 Zeta Drive Pittsburgh, PA. 15238-2897, USA (412) 963-7470 HTTP://www.Aerotech.com	
Ndrive CL and CP PENDANT INTERFACE CABLE			
TOLERANCES ON FRACTIONS DECIMALS ANGLES 0 TO 6 ± 1/32 .XX ± .01 ± 0-30° OVER 6 ± 1/16 .XXX ± .005	RMS FINISH EXCEPT AS NOTED		
DRAWN 9/21/2010 JFM CHECKED 9/27/2010 AGS APPD. 9/27/2010 JFM	PART CODE C22671-xx	SIZE D	REV. 630D2267-1 -
SCALE NTS	FILE NAME 630D2267-001.Dwg	SHEET	1 of 1