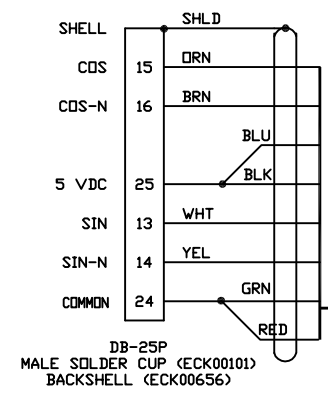


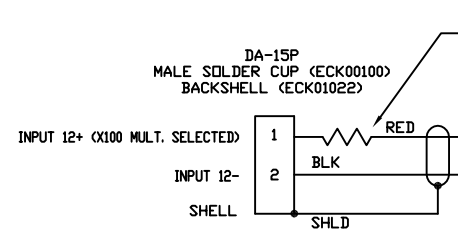
REVISIONS				
SYN.	ZONE	DESCRIPTION	DATE	APPROVAL

DO NOT REVISE THIS DWG.
 REVISE 630D2267-001.DWG AND RECREATE -1, -2, -3 AND -4 DWG'S.
 COPY REVISION LETTER FROM 630D2267-001.DWG TO ALL -1 THRU -4 DWG'S

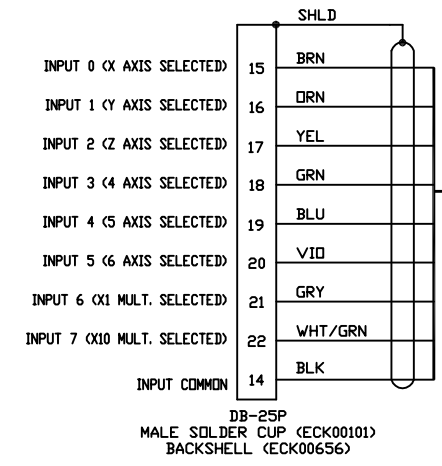
TO NPAQ
 (HIGH SPEED I/O CON.)
 J8



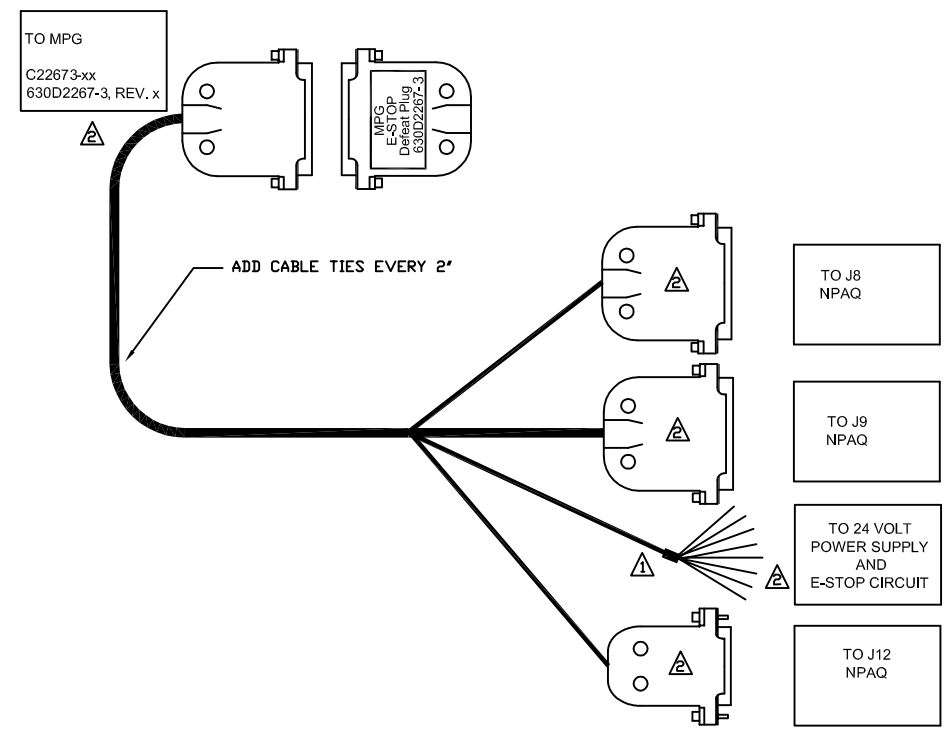
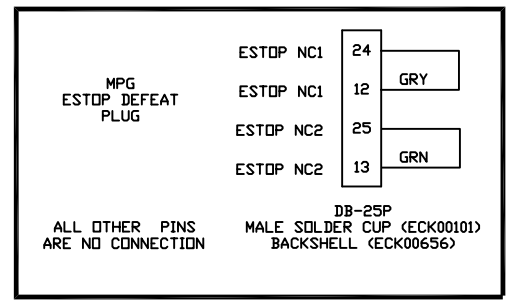
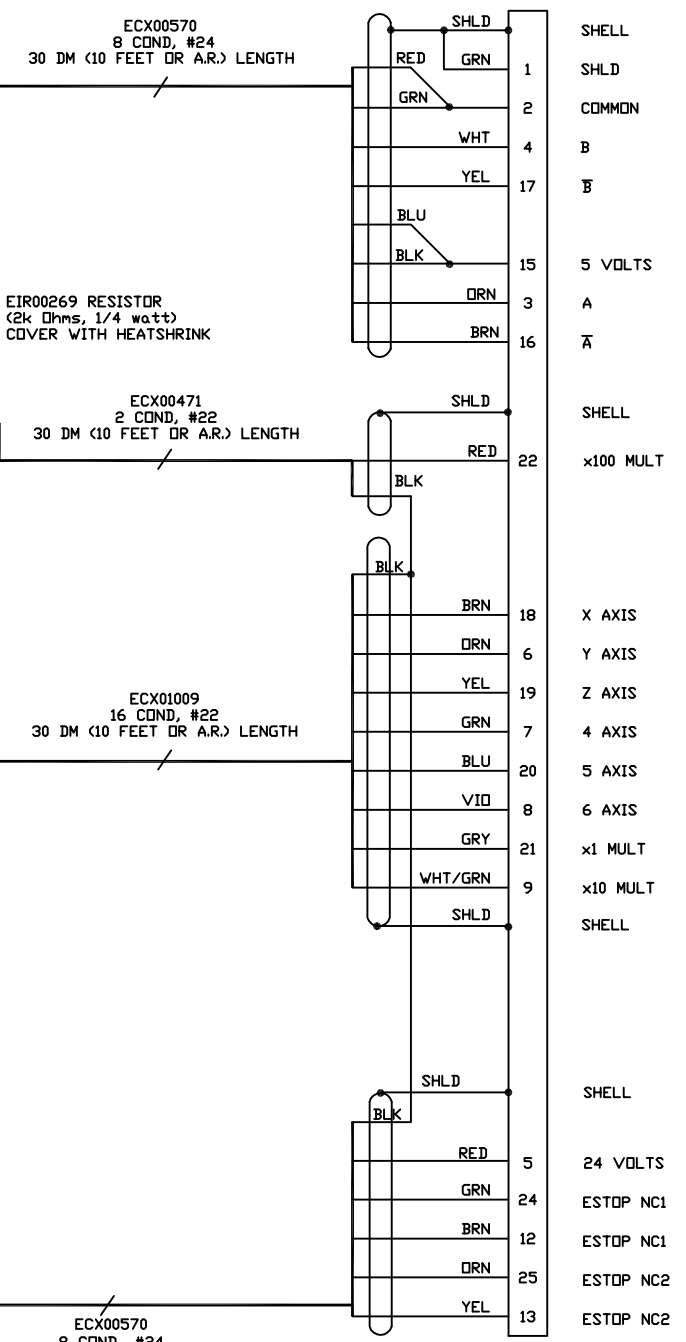
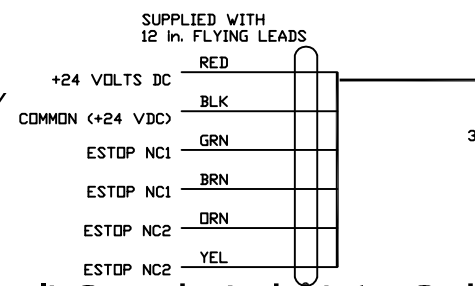
TO NPAQ
 (MISC. I/O)
 J12



TO NPAQ
 (I/O CONNECTOR)
 J9

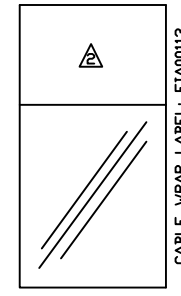


TO POWER SUPPLY
 (OPT. BRAKE24-2)
 AND
 E-STOP RELAY



⚠ LABEL CONNECTOR WITH EIA01195

⚠ LABEL EACH CABLE PER DEFINED TEXT WITH EIA00113
 ⚠ ADD HEATSHRINK OVER END OF CABLE BUNDLE (K2 PLG.)



PROPRIETARY INFORMATION THIS DRAWING IS THE PROPERTY OF AEROTECH, INC. AND IS SUBMITTED IN CONFIDENCE AND SHALL NOT BE REPRODUCED NOR COPIED NOR DISCLOSED TO OTHERS UNDER PENALTY OF LAW.		AEROTECH, INC. 101 Zeta Drive Pittsburgh, PA. 15238-2897, USA (412) 963-7470 HTTP://www.Aerotech.com	
TOLERANCES ON FRACTIONS DECIMALS ANGLES 0 TO 6 ± 1/32 .XX ± .01 ± 0-30' OVER 6 ± 1/16 .XXX ± .005		Npaq PENDANT INTERFACE CABLE	
RMS FINISH DRAWN 9/21/2010 JFM CHECKED 9/27/2010 AGS APPD. 9/27/2010 JFM	EXCEPT AS NOTED	PART CODE C22673-xx	SIZE D 630D2267-3 SCALE NTS FILE NAME 630D2267-001.Dwg SHEET 1 of 1