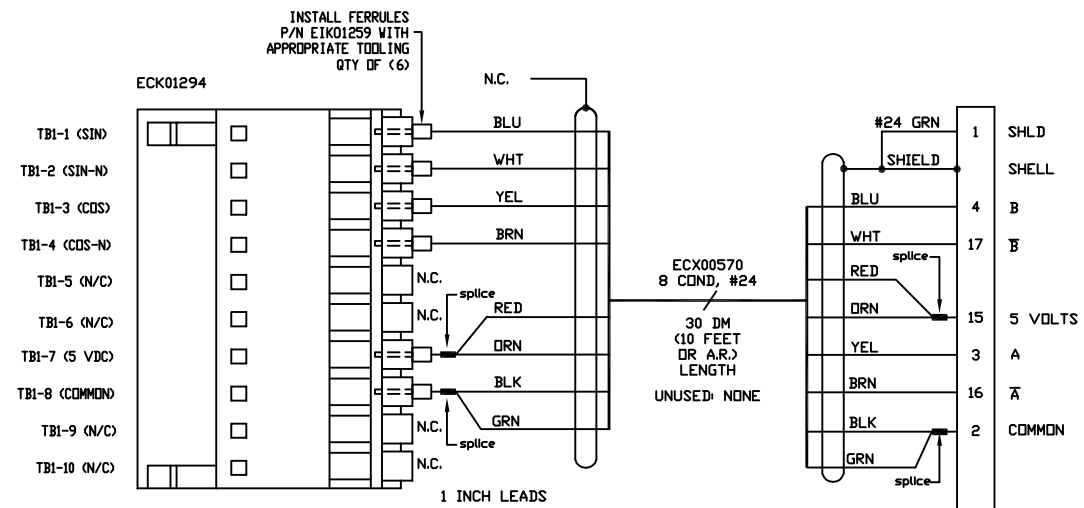
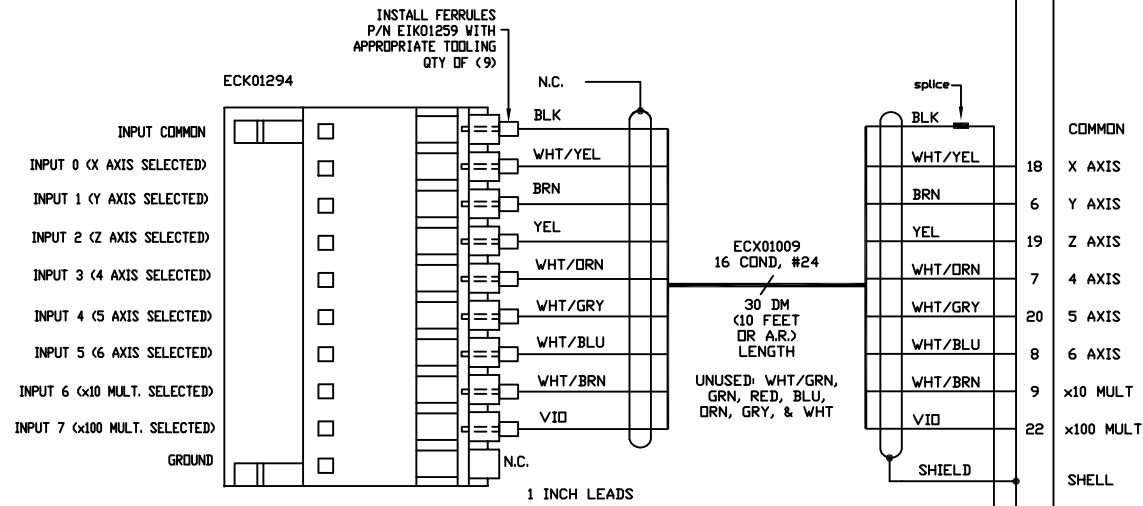


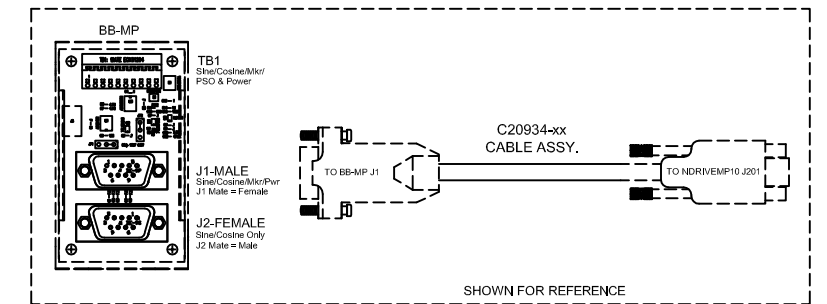
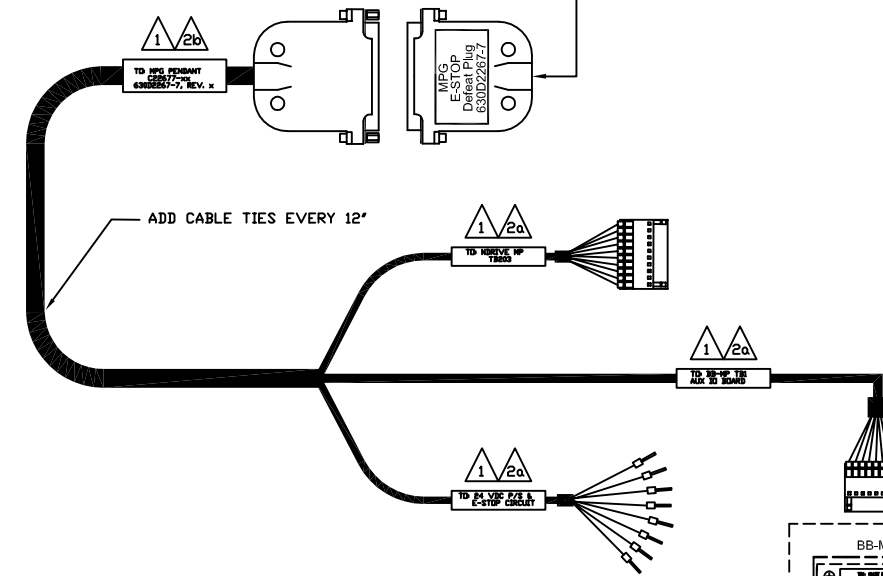
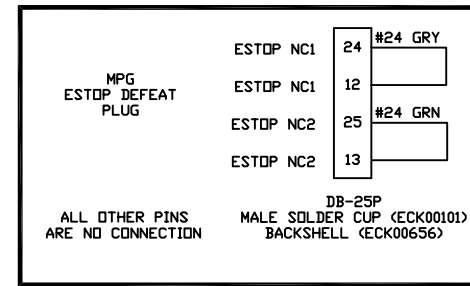
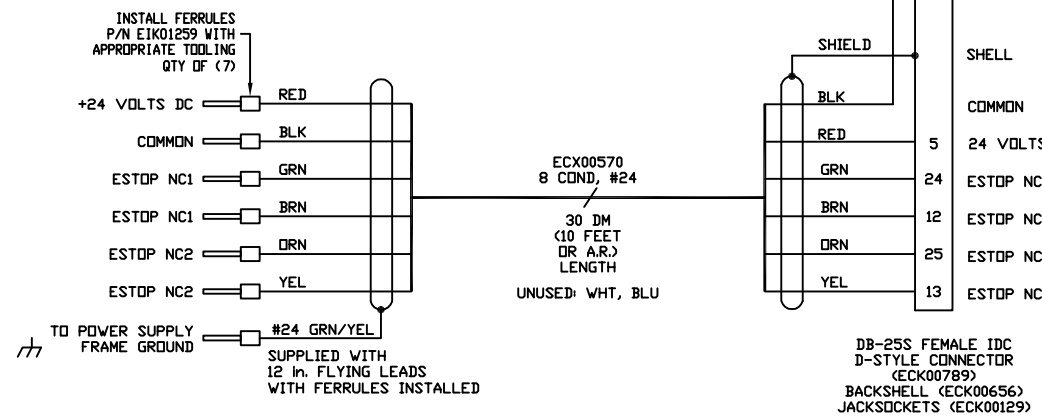
TO
BB-MP MODULE
TB1



TO
NDRIVE MP
TB203



TO POWER SUPPLY
(OPT. BRAKE24-2)
AND
E-STOP RELAY



- ▲ ADD LABEL TO CONNECTOR
- ▲ a.) PSPT-375-175-WT WIRE MARKING SLEEVE, (0.67") (EIA01305)
- ▲ b.) PSPT-500-175-WT WIRE MARKING SLEEVE, (0.87") (EIA01219)
- ▲ ADD HEATSHRINK OVER END OF CABLE BUNDLE (3 PLS.)

PROPRIETARY INFORMATION THIS DRAWING IS THE PROPERTY OF AEROTECH, INC. AND IS SUBMITTED IN CONFIDENCE AND SHALL NOT BE REPRODUCED NOR COPIED NOR DISCLOSED TO OTHERS UNDER PENALTY OF LAW.		AEROTECH, INC. 101 Zeta Drive Pittsburgh, PA 15238 (412)963-7470 www.aerotech.com	
TOLERANCES ON FRACTIONS DECIMALS ANGLES 0 TO 6 ± 1/32 .XX ± .01 ± 0-30° OVER 6 ± 1/16 .XXX ± .005			
RMS FINISH		EXCEPT AS NOTED	
DRAWN	LTL	1-7-2013	
CHECKED	AGS	1-7-2013	
APPD.	AGS	1-7-2013	
PART CODE C22677-30		SIZE D	630D2267-7
SCALE NTS		FILE NAME 630D2267-701.Dwg	SHEET 1 OF 1