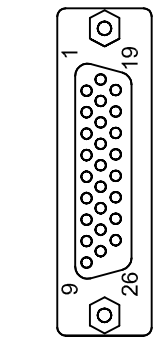


BACKSHELL, #17-1725-2, (ECK01022)
 JACKSOCKETS, #207719-3, (ECK00129)
 15 LINE FEMALE "D"
 DA-15S, ECK00326

26 HD MALE, #K86-AA-26P, (ECK01259)
 BACKSHELL, #17-1725-2, (ECK01022)

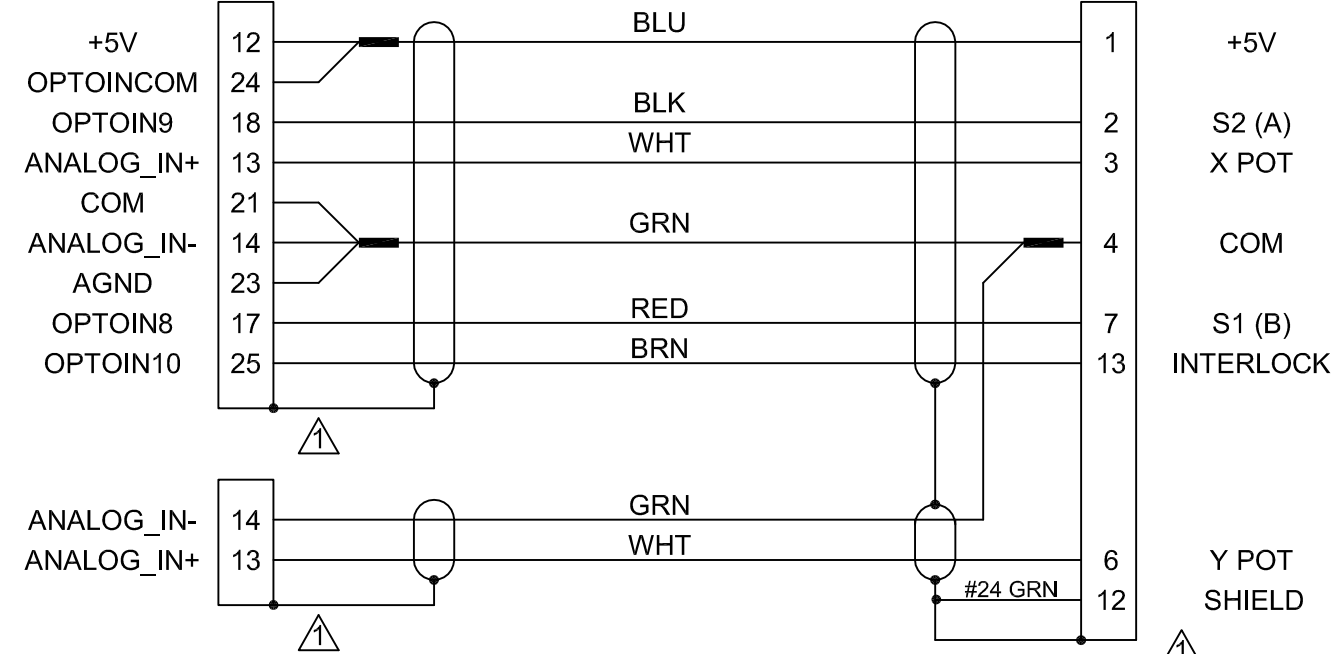
REVISIONS				
SYM.	ZONE	DESCRIPTION	DATE	APPROVAL
-		-	-	-



VIEW FROM
SOLDER SIDE

TO
NDRIVEHPE #1
J205 AUX IO

TO
NDRIVEHPE #2
J205 AUX IO



26 HD MALE, #K86-AA-26P, (ECK01259)
 BACKSHELL, #17-1725-2, (ECK01022)

TO
JOYSTICK

CONNECTOR SHIELDING

WRAP 6" COPPER FOIL (EIA281)
OVER GROMMET, SHIELD & DRAIN WIRE

GROMMET SUPPLIED
W/BACKSHELL

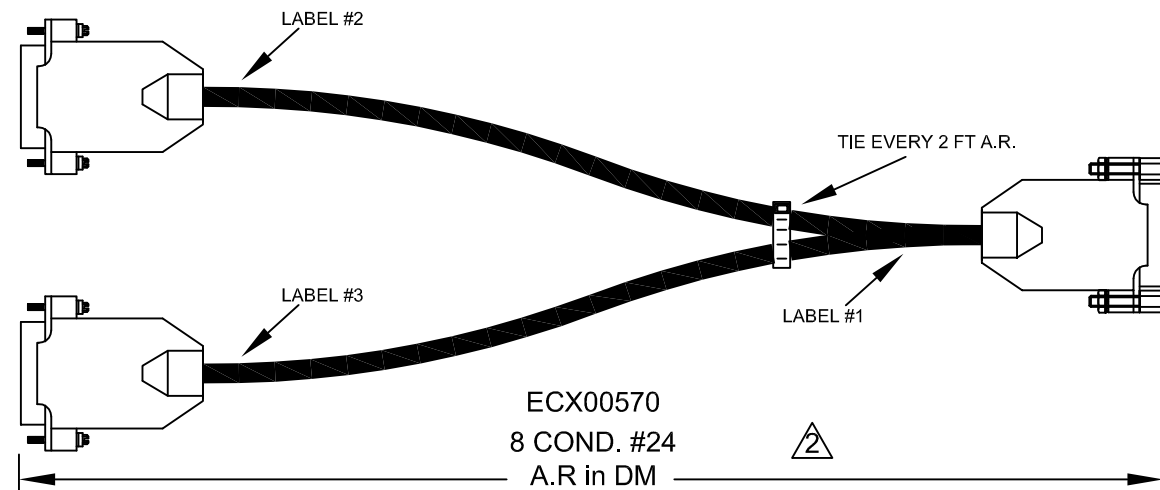
FOLD BACK FOIL SHIELD
SUCH THAT THE SILVER
PART IS OUTSIDE

FOLD BACK & TWIST
SHIELD DRAIN WIRE
& WIRE TO PIN 12
IF REQUIRED.

COVER

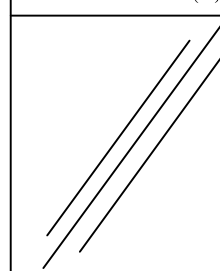
CABLE LENGTH

CAUTION, CABLE LENGTHS (XX) ARE IN DECIMETERS
 EXAMPLE: C227511-30
 30 = 30 DECIMETERS (3 METERS) = 10FT.



LABEL #1 FOR
C22755 CABLES:
(1) REQUIRED

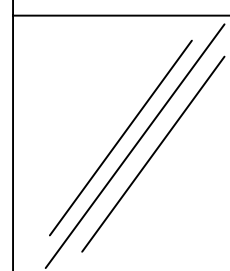
C227511-XX
W. O. # / 1 thru X
630B2275-11 REV(X)



CABLE WRAP LABEL: EIA00113

LABEL #2 FOR
C22755 CABLES:
(1) REQUIRED

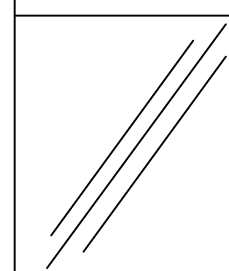
TO: NDRIVEHPE #1
AUX IO PORT



CABLE WRAP LABEL: EIA00113

LABEL #3 FOR
C22755 CABLES:
(1) REQUIRED

TO: NDRIVEHPE #2
AUX IO PORT



CABLE WRAP LABEL: EIA00113

PROPRIETARY INFORMATION
 THIS DRAWING IS THE PROPERTY
 OF AEROTECH, INC. AND IS
 SUBMITTED IN CONFIDENCE AND
 SHALL NOT BE REPRODUCED NOR
 COPIED NOR DISCLOSED TO OTHERS
 UNDER PENALTY OF LAW.



AEROTECH, INC. 101 Zeta Drive
 Pittsburgh, PA. 15238
 www.aerotech.com

NDRIVEHPE DUAL AXIS JOYSTICK EXTENSION CABLE (JSXT-26HD 26HD-MAX 300 DM)

TOLERANCES ON		
FRACTIONS	DECIMALS	ANGLES
0 TO 6 $\frac{1}{32}$.XX ± 0.01	$\pm 0-30'$
OVER 6 $\frac{1}{16}$.XXX ± 0.005	
RMS FINISH	EXCEPT AS NOTED	

DRAWN	TES	9/9/09	PART CODE	SIZE	REV.
CHECKED	EJB	9/9/09	C227511-XX	B	-
APPD.	AGS	9/9/09	SCALE NTS	FILE NAME	SHEET
				630B2275-1101.DWG	1 of 1

630B2275-11