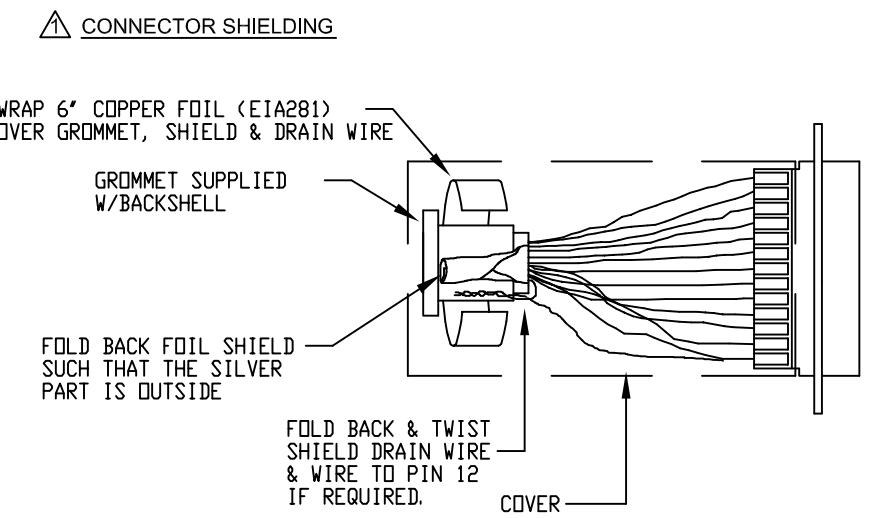
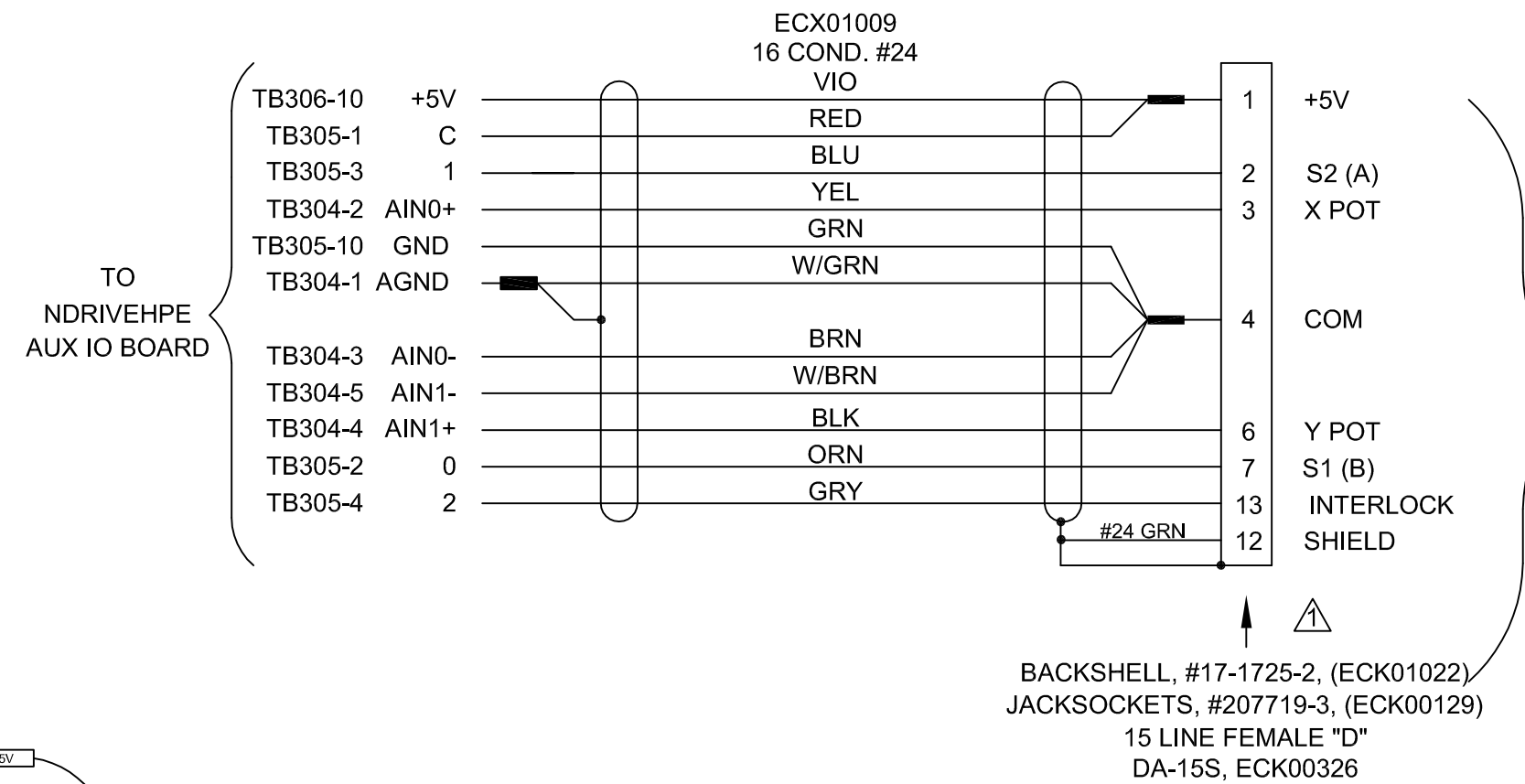
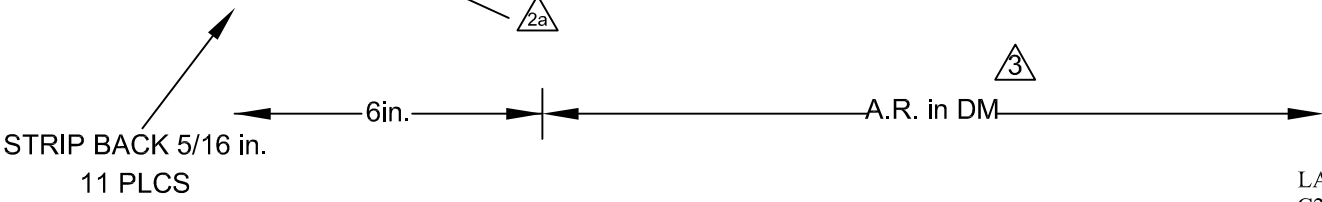
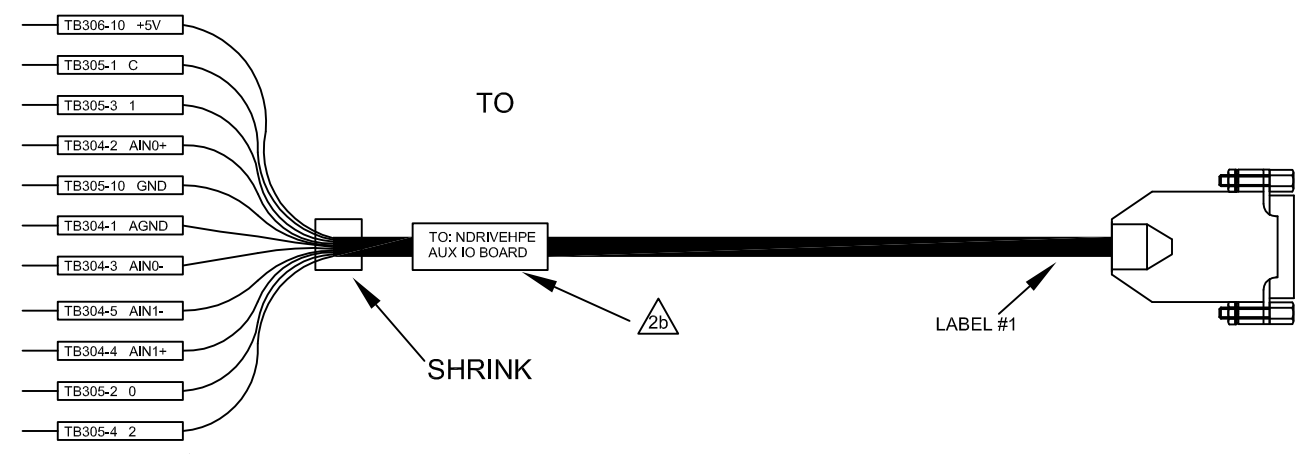


REVISIONS				
SYM.	ZONE	DESCRIPTION	DATE	APPROVAL
-			-	-



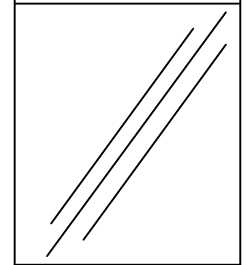
WIRE MARKERS
 LABEL WIRES WITH BRADY LABELS AS NOTED
 a.) PSPT-125-175-WT WIRE MARKING SLEEVE (EIA01161)
 b.) PSPT-250-175-WT WIRE MARKING SLEEVE (EIA01163)

CABLE LENGTH
 CAUTION, CABLE LENGTHS (XX) ARE IN DECIMETERS
 EXAMPLE: C227515-30
 30 = 30 DECIMETERS (3 METERS) = 10FT.



LABEL #1 FOR C227515 CABLES: (1) REQUIRED

C227515-XX
 W. O. # / 1 thru X
 630B2275-15 REV(X)



CABLE WRAP LABEL: EIA00113

PROPRIETARY INFORMATION
 THIS DRAWING IS THE PROPERTY OF AEROTECH, INC. AND IS SUBMITTED IN CONFIDENCE AND SHALL NOT BE REPRODUCED NOR COPIED NOR DISCLOSED TO OTHERS UNDER PENALTY OF LAW.



AEROTECH, INC. 101 Zeta Drive
 Pittsburgh, PA. 15238
 www.aerotech.com

NDRIVEHPE DUAL AXIS JOYSTICK EXTENSION CABLE (JSXT-FLY-15DU-MAX 300 DM)

TOLERANCES ON		
FRACTIONS	DECIMALS	ANGLES
0 TO 6 3/32	.XX ±01	± 0-30'
OVER 6 1/16	.XXX ±005	
RMS FINISH	EXCEPT AS NOTED	

DRAWN	TES	9/1/09	PART CODE	SIZE	REV.
CHECKED	EJB	9/1/09	C227515-XX	B	-
APPD.	AGS	9/1/09	SCALE NTS	FILE NAME	SHEET
				630B2275-1501.DWG	1 of 1

630B2275-15