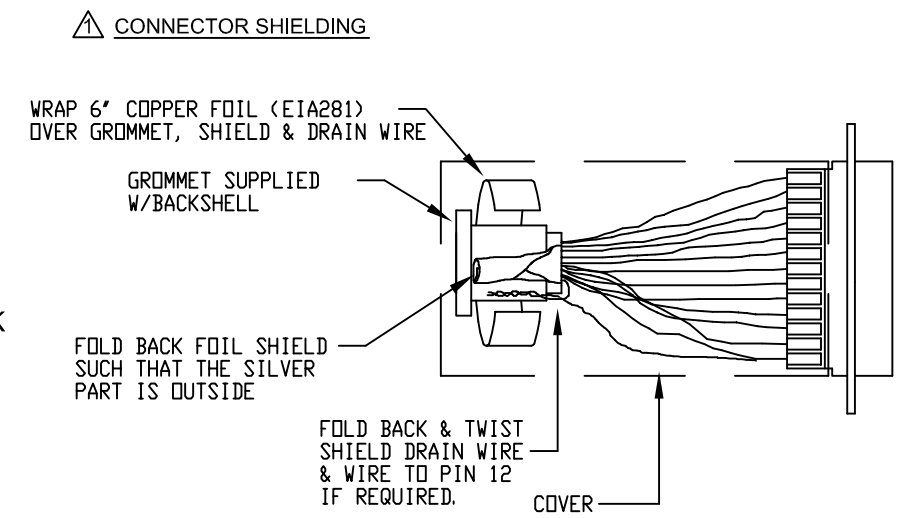
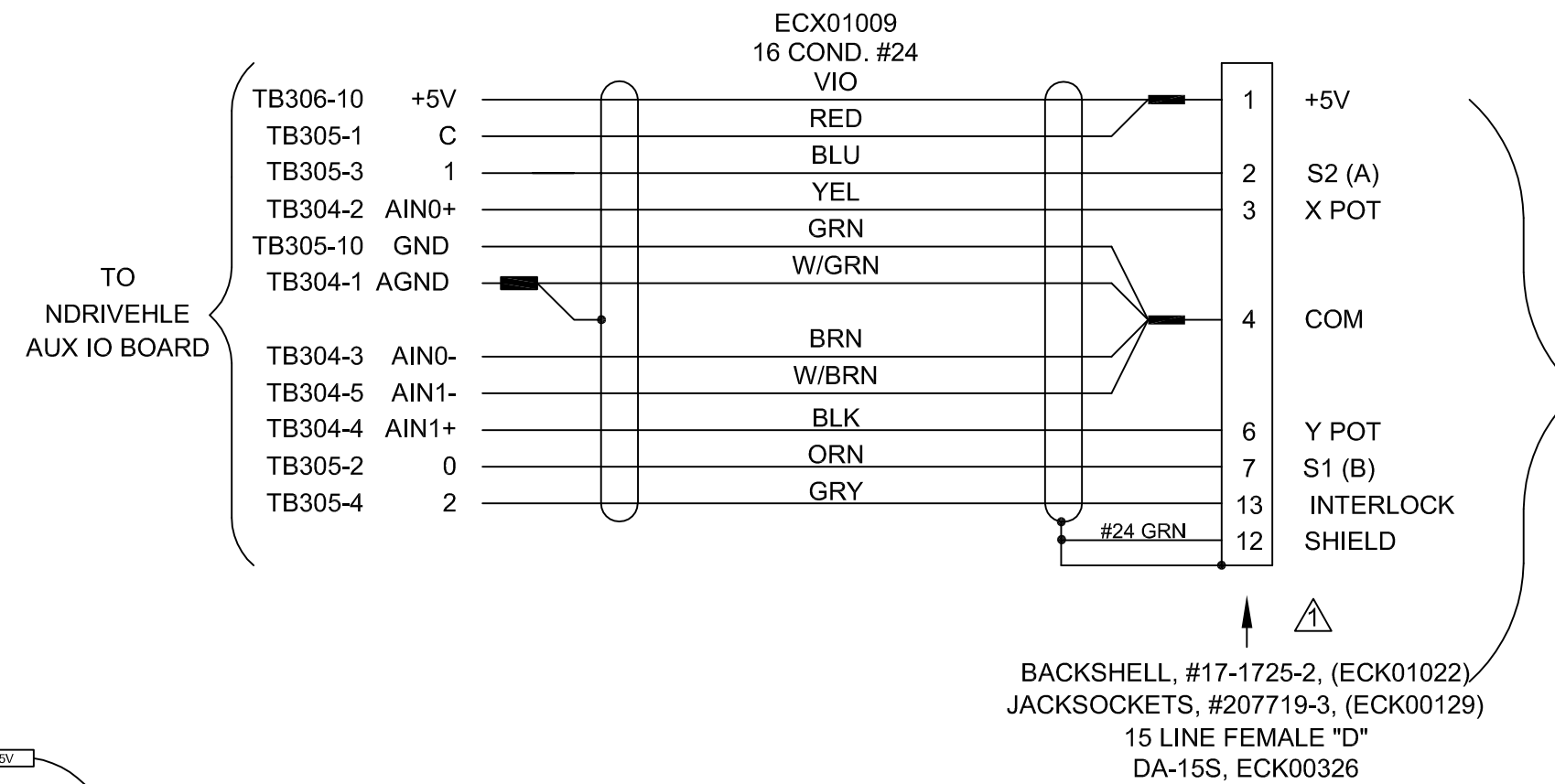
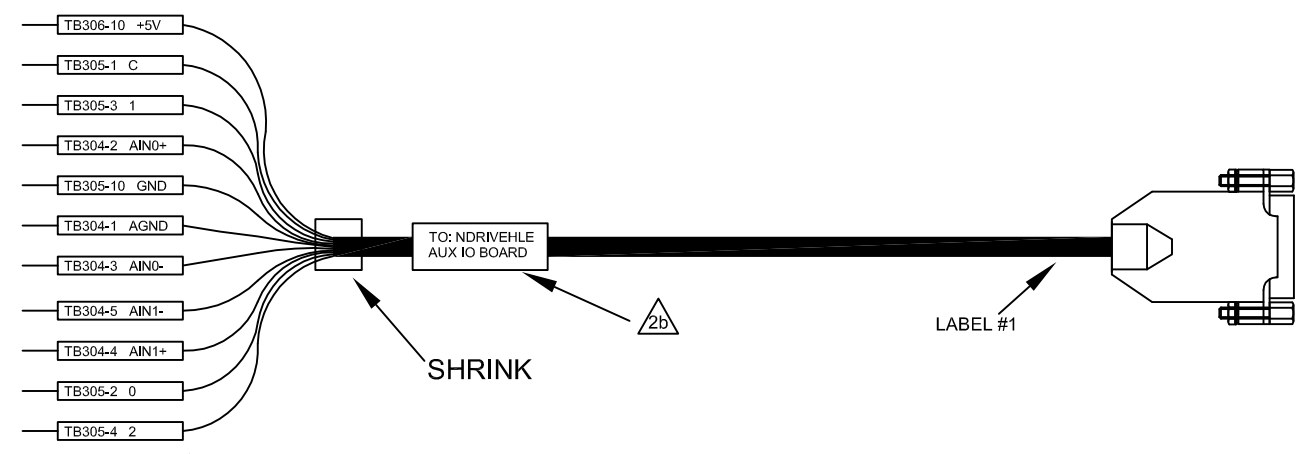


REVISIONS				
SYM.	ZONE	DESCRIPTION	DATE	APPROVAL
-			-	-



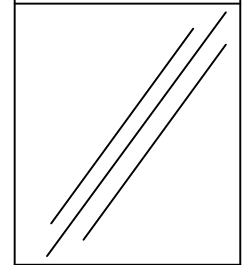
**WIRE MARKERS**  
 LABEL WIRES WITH BRADY LABELS AS NOTED  
 a.) PSPT-125-175-WT WIRE MARKING SLEEVE (EIA01161)  
 b.) PSPT-250-175-WT WIRE MARKING SLEEVE (EIA01163)

**CABLE LENGTH**  
 CAUTION, CABLE LENGTHS (XX) ARE IN DECIMETERS  
 EXAMPLE: C227516-30  
 30 = 30 DECIMETERS (3 METERS) = 10FT.



LABEL #1 FOR C227516 CABLES: (1) REQUIRED

C227516-XX  
 W. O. # / 1 thru X  
 630B2275-16 REV(X)



PROPRIETARY INFORMATION  
 THIS DRAWING IS THE PROPERTY OF AEROTECH, INC. AND IS SUBMITTED IN CONFIDENCE AND SHALL NOT BE REPRODUCED NOR COPIED NOR DISCLOSED TO OTHERS UNDER PENALTY OF LAW.



AEROTECH, INC. 101 Zeta Drive  
 Pittsburgh, PA. 15238  
 www.aerotech.com

# NDRIVEHLE DUAL AXIS JOYSTICK EXTENSION CABLE (JSXT-FLY-15DU-MAX 300 DM)

TOLERANCES ON		
FRACTIONS	DECIMALS	ANGLES
0 TO 6 3/32	.XX ±01	± 0-30'
OVER 6 1/16	.XXX ±005	

RMS FINISH	EXCEPT AS NOTED
------------	-----------------

DRAWN	TES	9/1/09
CHECKED	EJB	9/1/09
APPD.	AGS	9/1/09

PART CODE	SIZE	REV.
C227516-XX	B	-
SCALE	FILE NAME	SHEET
NTS	630B2275-1601.DWG	1 of 1

**630B2275-16**