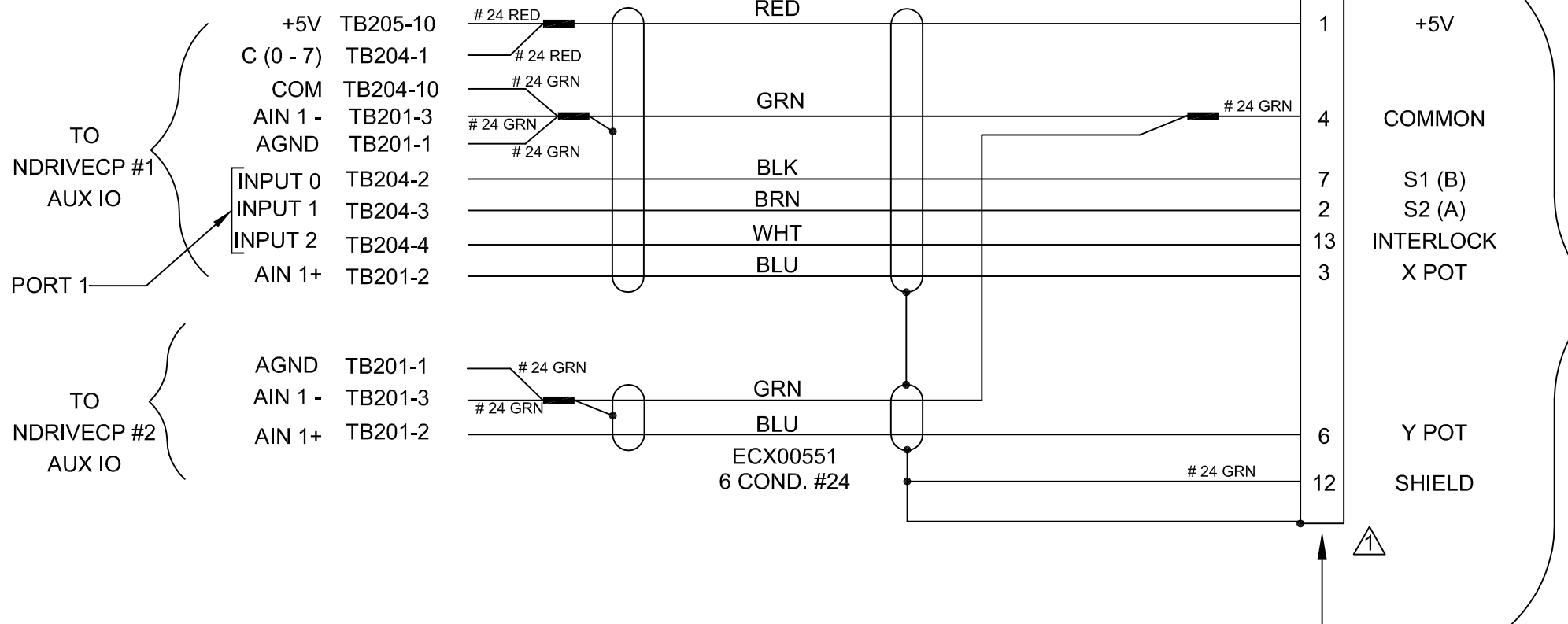


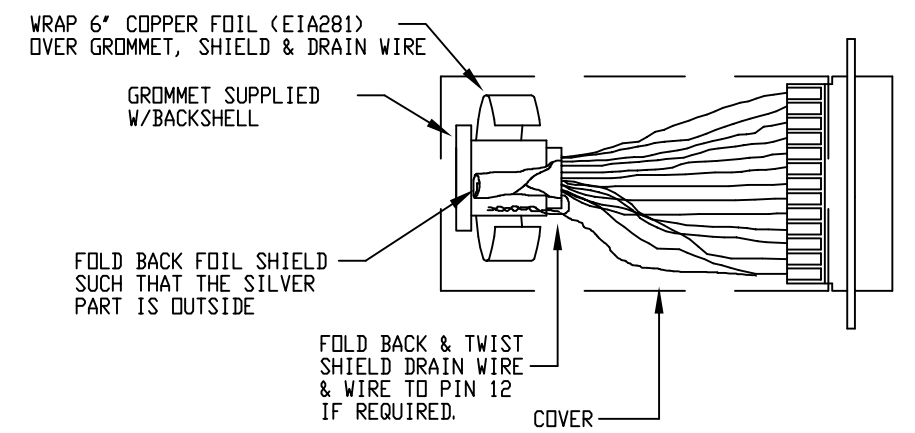
ECX00551
6 COND. #24

REVISIONS				
SYM.	ZONE	DESCRIPTION	DATE	APPROVAL
-			-	-



TO
JOYSTICK

△ CONNECTOR SHIELDING



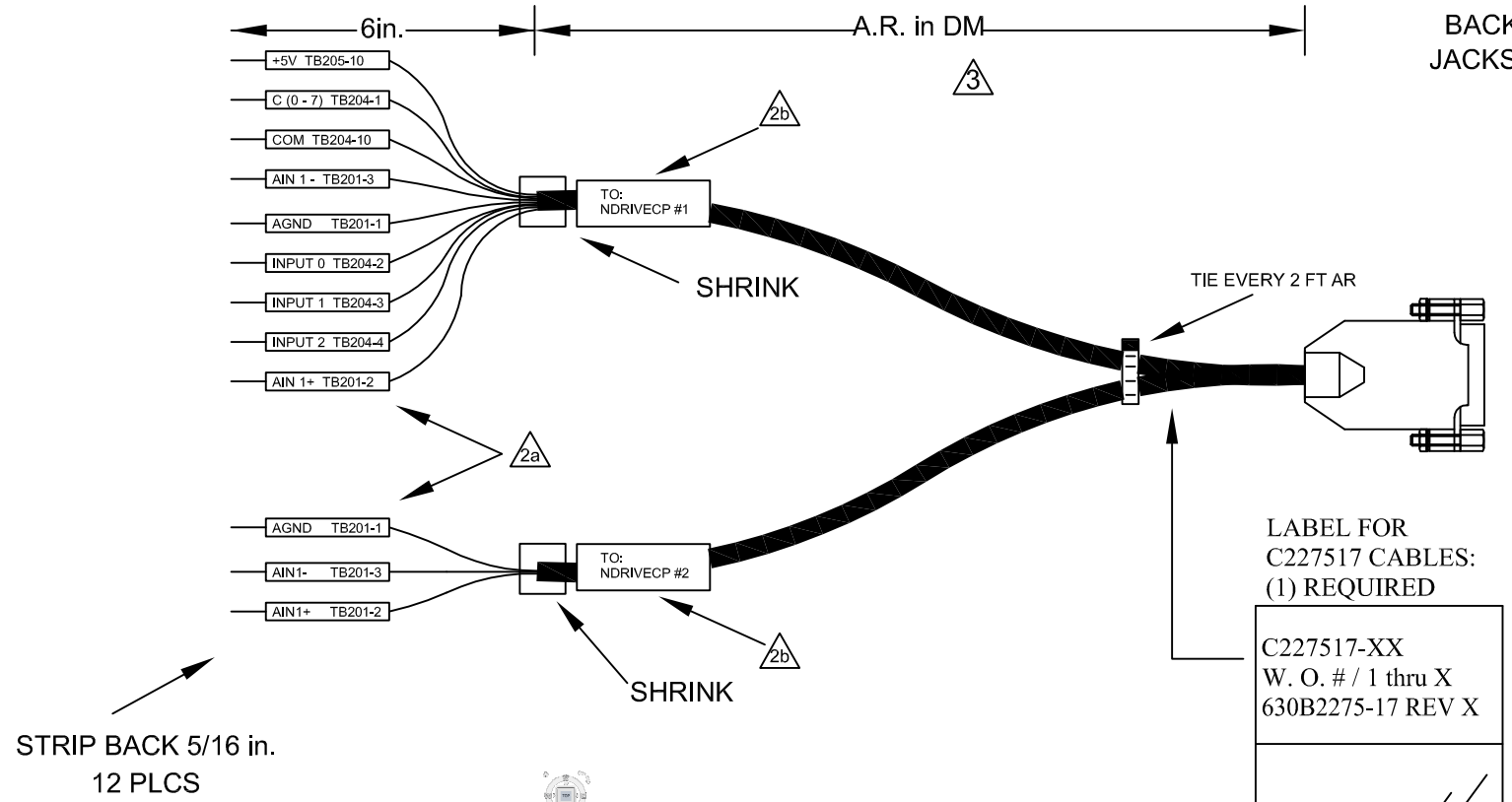
△ WIRE MARKERS

LABEL WIRES WITH BRADY LABELS AS NOTED
a.) PSPT-125-175-WT WIRE MARKING SLEEVE (EIA01161)
b.) PSPT-250-175-WT WIRE MARKING SLEEVE (EIA01163)

△ CABLE LENGTH

CAUTION, CABLE LENGTHS (XX) ARE IN DECIMETERS
EXAMPLE: C22752-30
30 = 30 DECIMETERS (3 METERS) = 10FT.

BACKSHELL, #17-1725-2, (ECK01022)
JACKSOCKETS, #207719-3, (ECK00129)
15 LINE FEMALE "D"
DA-15S, ECK00326



LABEL FOR
C227517 CABLES:
(1) REQUIRED

C227517-XX
W. O. # / 1 thru X
630B2275-17 REV X

CABLE WRAP LABEL: EIA00113

PROPRIETARY INFORMATION THIS DRAWING IS THE PROPERTY OF AEROTECH, INC. AND IS SUBMITTED IN CONFIDENCE AND SHALL NOT BE REPRODUCED NOR COPIED NOR DISCLOSED TO OTHERS UNDER PENALTY OF LAW.					AEROTECH, INC. 101 Zeta Drive Pittsburgh, PA. 15238 www.aerotech.com	
TOLERANCES ON FRACTIONS DECIMALS ANGLES 0 TO 6 3/32 .XX ±0.1 ± 0-30' OVER 6 1/16 .XXX ±0.05			<h2 style="text-align: center;">NDRIVECP DUAL AXIS JOYSTICK EXTENSION CABLE (JSXT-FLY FLY-15DU-MAX 300 DM)</h2>			
RMS FINISH ✓ EXCEPT AS NOTED			PART CODE C227517-XX		SIZE B	
DRAWN TES 10/22/09 CHECKED EJB 10/22/09 APPD. AGS 10/22/09			SCALE NTS FILE NAME 630B2275-1701.DWG		SHEET 1 of 1	
			630B2275-17		REV. -	