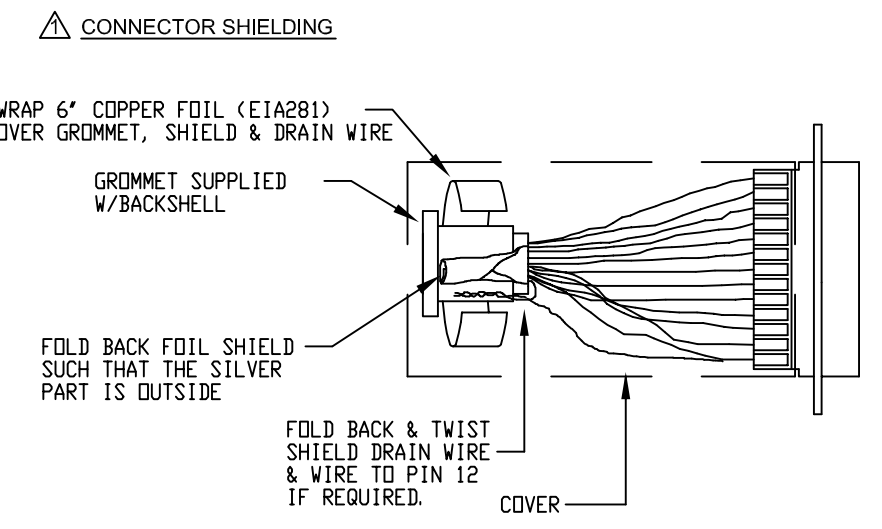
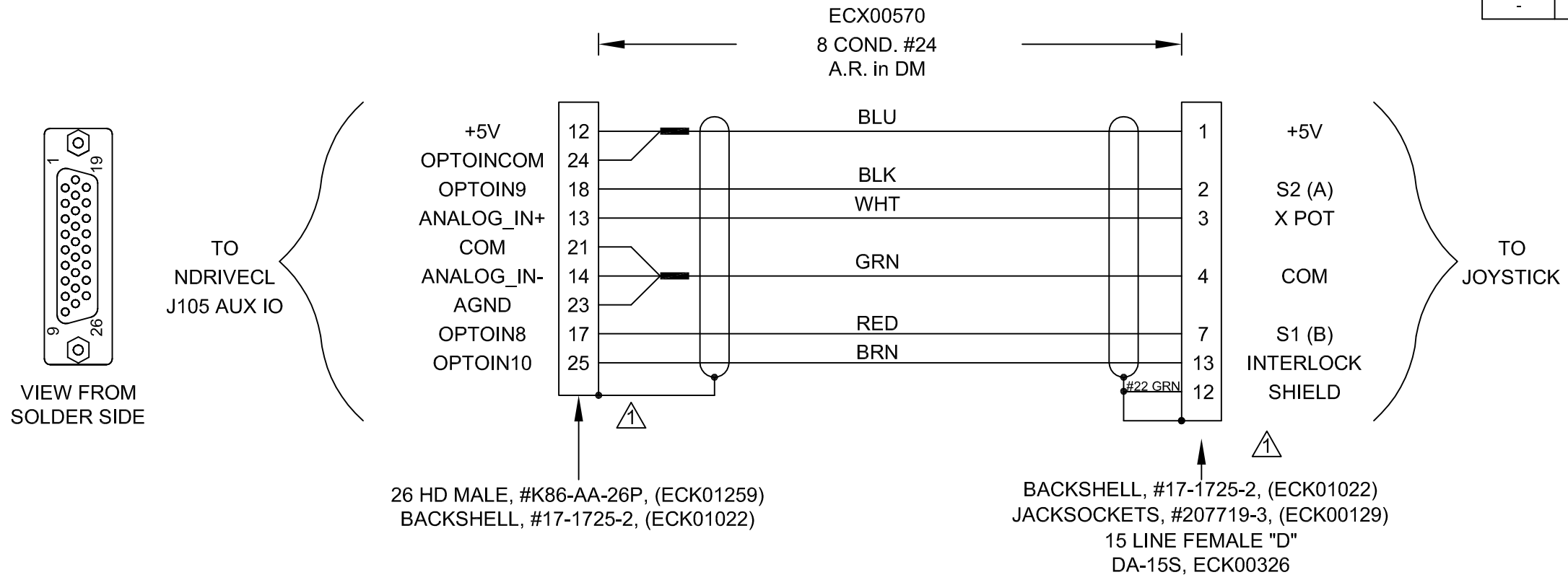
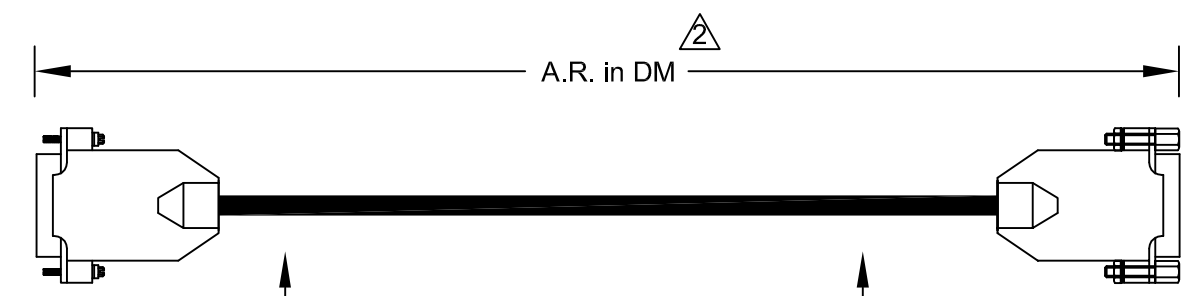


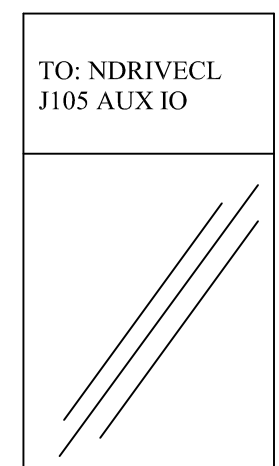
REVISIONS				
SYM.	ZONE	DESCRIPTION	DATE	APPROVAL
-		-	-	-



CABLE LENGTH
CAUTION, CABLE LENGTHS (XX) ARE IN DECIMETERS
EXAMPLE: C22757-30
30 = 30 DECIMETERS (3 METERS) = 10FT.

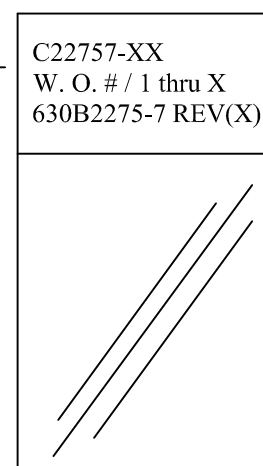


LABEL FOR
C22757 CABLES:




CABLE WRAP LABEL: EIA00113

LABEL FOR
C22757 CABLES:



CABLE WRAP LABEL: EIA00113

PROPRIETARY INFORMATION THIS DRAWING IS THE PROPERTY OF AEROTECH, INC. AND IS SUBMITTED IN CONFIDENCE AND SHALL NOT BE REPRODUCED NOR COPIED NOR DISCLOSED TO OTHERS UNDER PENALTY OF LAW.			 AEROTECH, INC. 101 Zeta Drive Pittsburgh, PA. 15238 www.aerotech.com		
NDRIVECL SINGLE AXIS JOYSTICK EXTENSION CABLE (JSXT-26HD-15DU-MAX 300 DM)					
TOLERANCES ON					
FRACTIONS	DECIMALS	ANGLES			
0 TO 6 ±1/32	.XX ±01	± 0-30'			
OVER 6 ±1/16	.XXX ±005				
RMS FINISH	EXCEPT AS NOTED				
DRAWN	TES	9/9/09	PART CODE	SIZE	REV.
CHECKED	EJB	9/9/09	C22757-XX	B	-
SCALE NTS			FILE NAME	SHEET	
9/21/2011 3:04:33 PM			630B2275-701.DWG	1 of 1	