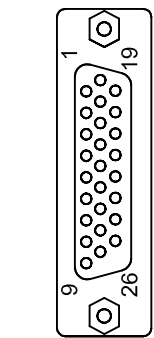


BACKSHELL, #17-1725-2, (ECK01022)  
 JACKSOCKETS, #207719-3, (ECK00129)  
 15 LINE FEMALE "D"  
 DA-15S, ECK00326

26 HD MALE, #K86-AA-26P, (ECK01259)  
 BACKSHELL, #17-1725-2, (ECK01022)

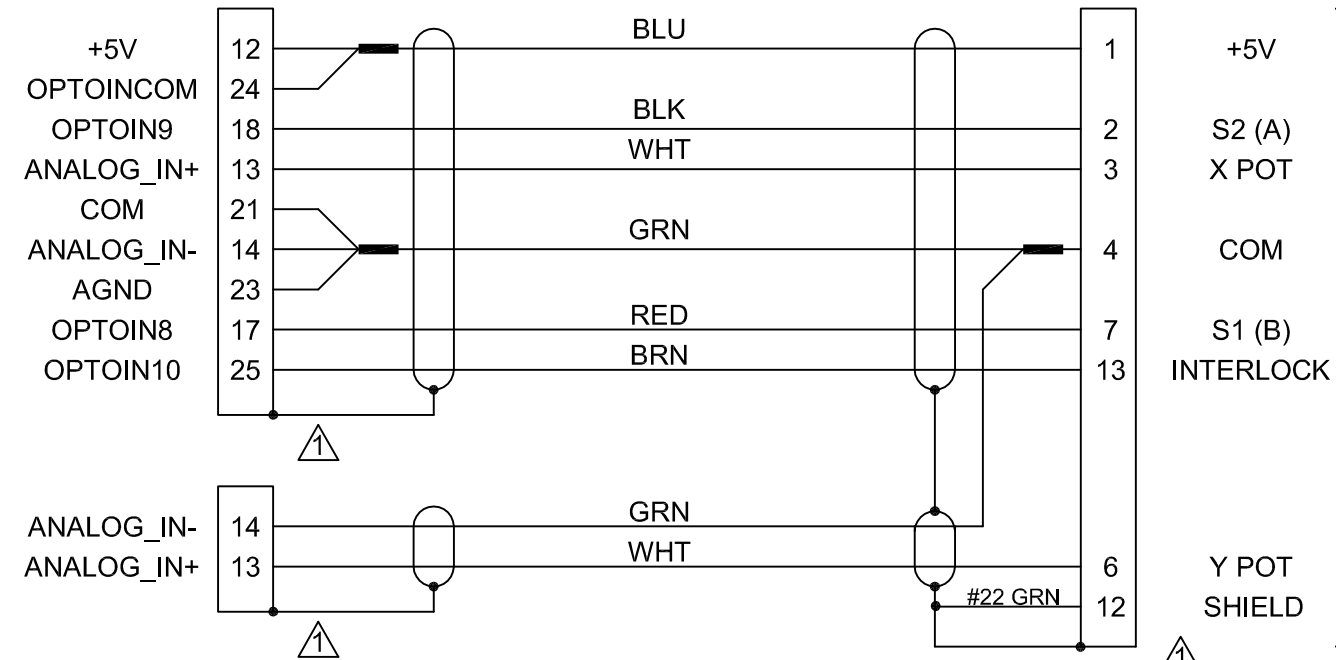
REVISIONS				
SYM.	ZONE	DESCRIPTION	DATE	APPROVAL
-		-	-	-



VIEW FROM  
SOLDER SIDE

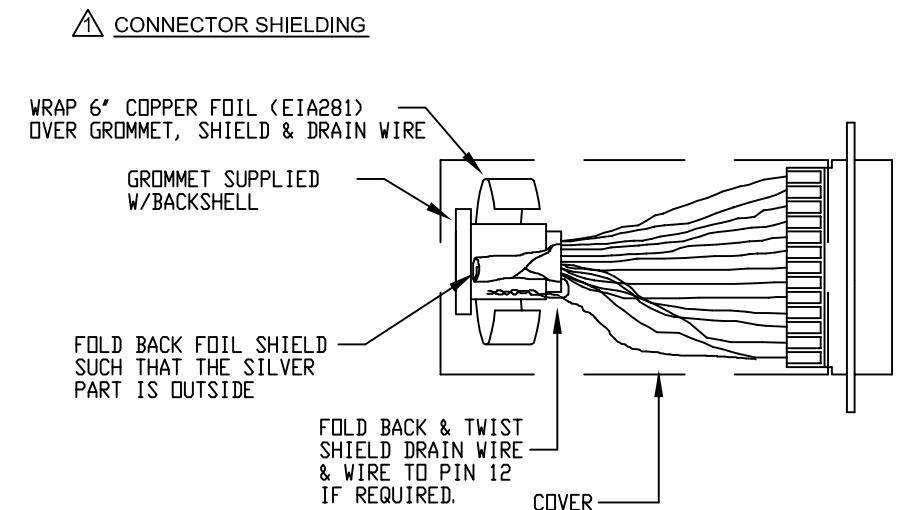
TO  
NDRIVECL #1  
J105 AUX IO

TO  
NDRIVECL #2  
J105 AUX IO

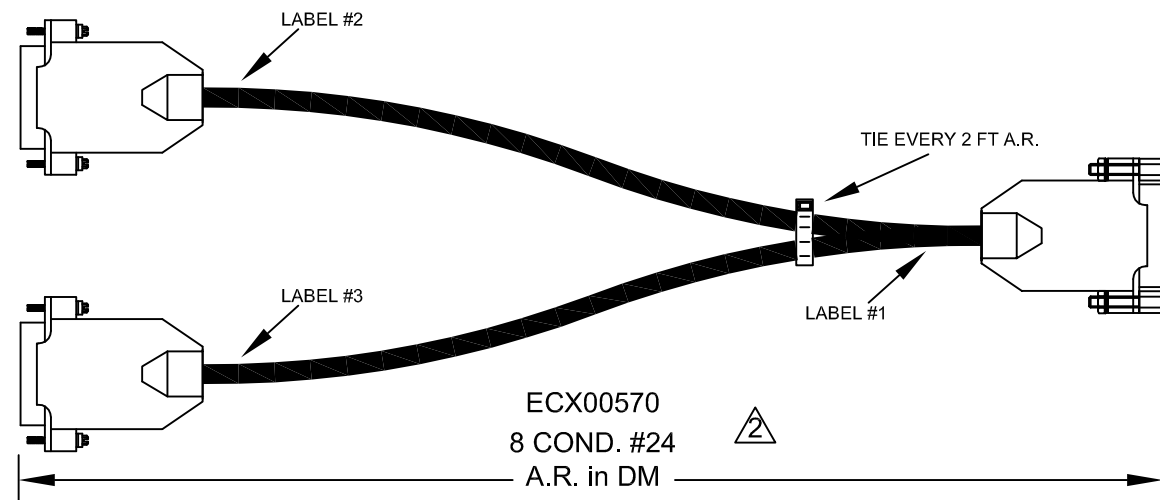


26 HD MALE, #K86-AA-26P, (ECK01259)  
 BACKSHELL, #17-1725-2, (ECK01022)

TO  
JOYSTICK



**CABLE LENGTH**  
 CAUTION, CABLE LENGTHS (XX) ARE IN DECIMETERS  
 EXAMPLE: C22758-30  
 30 = 30 DECIMETERS (3 METERS) = 10FT.



LABEL #1 FOR  
C22758 CABLES:  
(1) REQUIRED

LABEL #2 FOR  
C22758 CABLES:  
(1) REQUIRED

LABEL #3 FOR  
C22758 CABLES:  
(1) REQUIRED

C22758-XX  
W. O. # / 1 thru X  
630B2275-8 REV(X)

CABLE WRAP LABEL: EIA00113

TO: NDRIVECL #1  
AUX IO PORT

CABLE WRAP LABEL: EIA00113

TO: NDRIVECL #2  
AUX IO PORT

CABLE WRAP LABEL: EIA00113

PROPRIETARY INFORMATION  
 THIS DRAWING IS THE PROPERTY  
 OF AEROTECH, INC. AND IS  
 SUBMITTED IN CONFIDENCE AND  
 SHALL NOT BE REPRODUCED NOR  
 COPIED NOR DISCLOSED TO OTHERS  
 UNDER PENALTY OF LAW.



AEROTECH, INC. 101 Zeta Drive  
 Pittsburgh, PA. 15238  
 www.aerotech.com

# NDRIVECL DUAL AXIS JOYSTICK EXTENSION CABLE (JSXT-26HD 26HD-15DU-MAX 300 DM)

TOLERANCES ON		
FRACTIONS	DECIMALS	ANGLES
0 TO 6 ±1/32	.XX ±01	± 0-30'
OVER 6 ±1/16	.XXX ±005	

RMS FINISH EXCEPT AS NOTED

DRAWN	TES	9/9/09
CHECKED	EJB	9/9/09

PART CODE	SIZE	REV.
C22758-XX	B	-
<b>630B2275-8</b>		