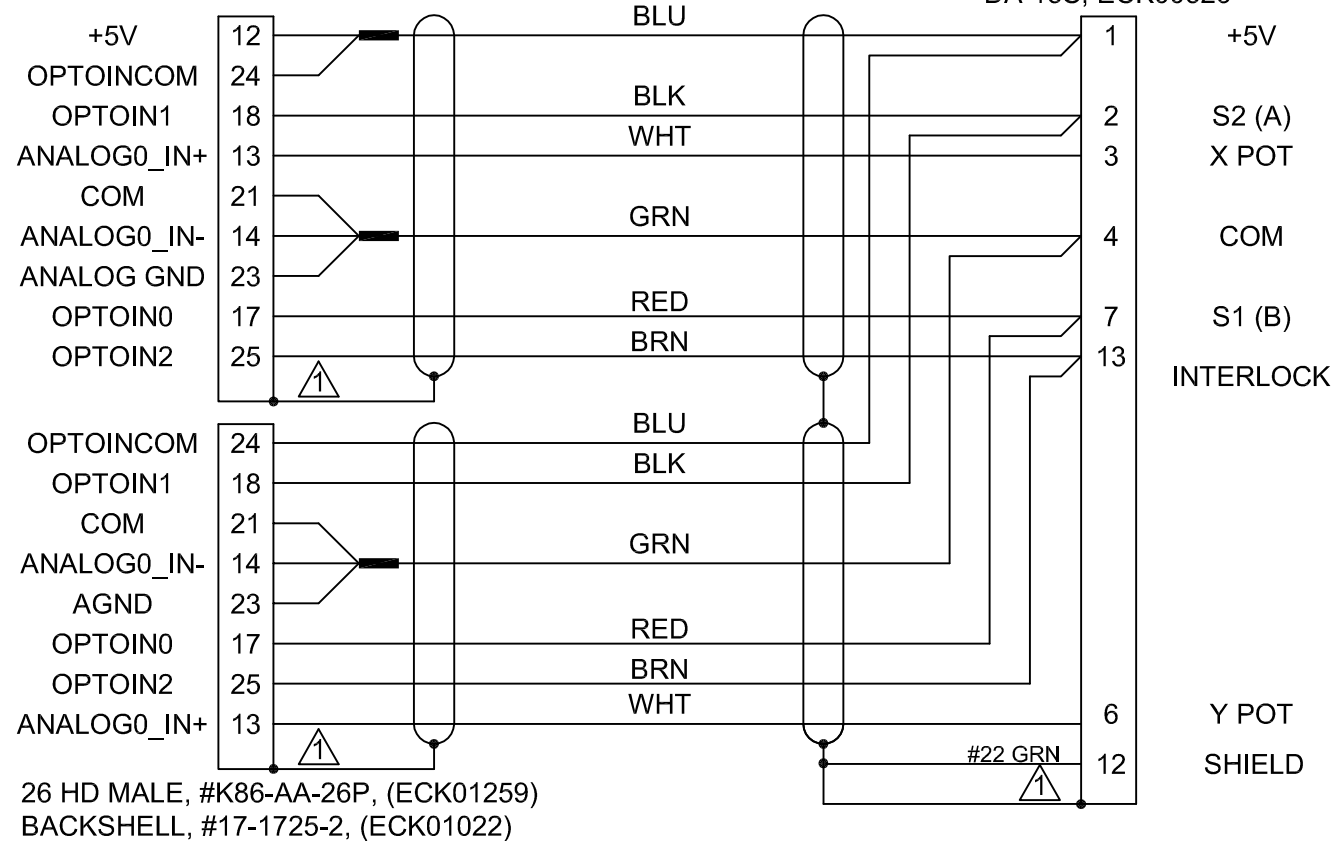
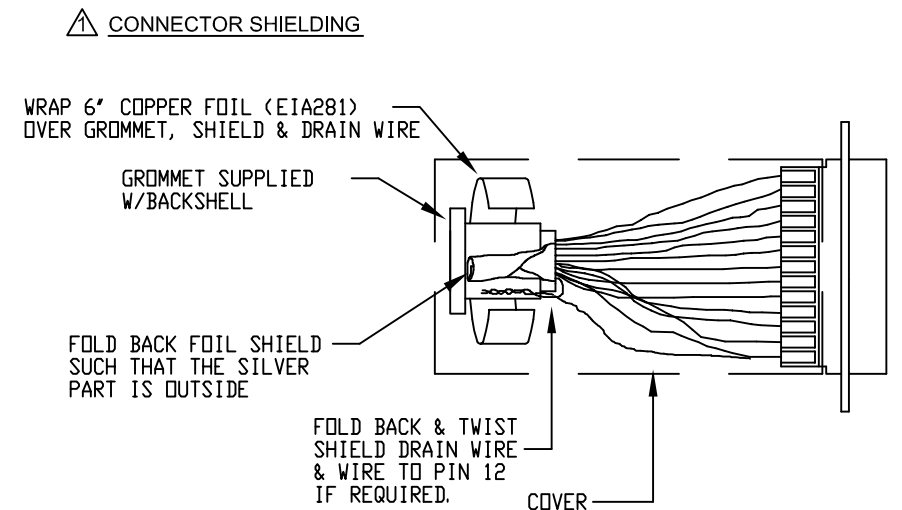
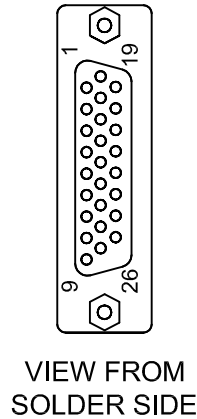


BACKSHELL, #17-1725-2, (ECK01022)
 JACKSOCKETS, #207719-3, (ECK00129)
 15 LINE FEMALE "D"
 DA-15S, ECK00326

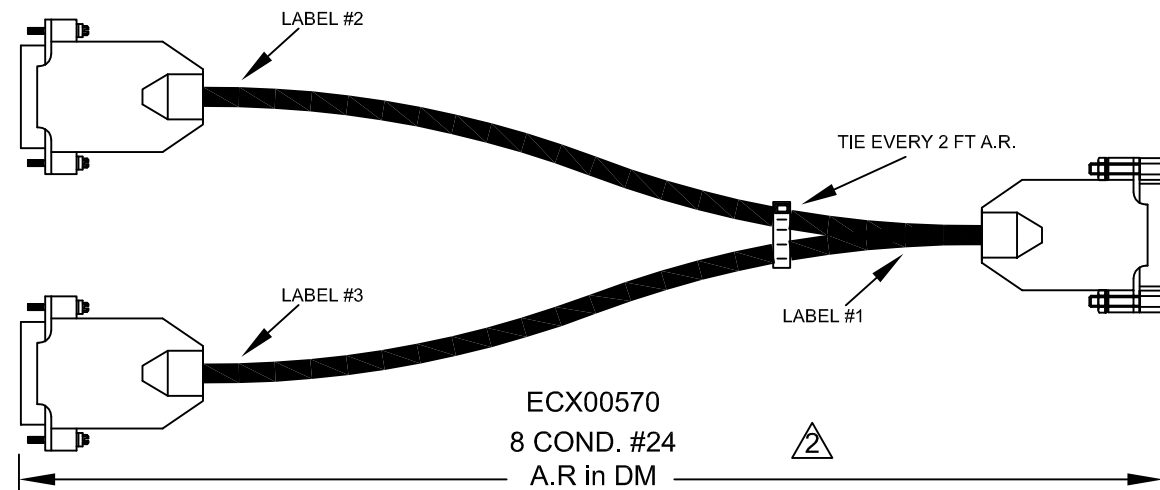
26 HD MALE, #K86-AA-26P, (ECK01259)
 BACKSHELL, #17-1725-2, (ECK01022)



REVISIONS				
SYM.	ZONE	DESCRIPTION	DATE	APPROVAL
-			-	-



CABLE LENGTH
 CAUTION, CABLE LENGTHS (XX) ARE IN DECIMETERS
 EXAMPLE: C227611-30
 30 = 30 DECIMETERS (3 METERS) = 10FT.



LABEL #1 FOR C227611 CABLES: (1) REQUIRED

LABEL #2 FOR C227611 CABLES: (1) REQUIRED

LABEL #3 FOR C227611 CABLES: (1) REQUIRED

C227611-XX W. O. # / 1 thru X 630B2276-11 REV(X)	TO: SOLOISTHPE #1 AUX IO PORT	TO: SOLOISTHPE #2 AUX IO PORT
--	----------------------------------	----------------------------------

CABLE WRAP LABEL: EIA00113

PROPRIETARY INFORMATION
 THIS DRAWING IS THE PROPERTY
 OF AEROTECH, INC. AND IS
 SUBMITTED IN CONFIDENCE AND
 SHALL NOT BE REPRODUCED NOR
 COPIED NOR DISCLOSED TO OTHERS
 UNDER PENALTY OF LAW.

AEROTECH, INC. 101 Zeta Drive
 Pittsburgh, PA. 15238
 www.aerotech.com

SOLOISTHPE DUAL AXIS JOYSTICK EXTENSION CABLE (JSXT-26HD 26HD-15DU-MAX300DM)

TOLERANCES ON		
FRACTIONS	DECIMALS	ANGLES
0 TO 6 3/32	.XX ±01	± 0-30'
OVER 6 1/16	.XXX ±005	

RMS FINISH	EXCEPT AS NOTED
------------	-----------------

DRAWN	TES	9/9/09
CHECKED	EJB	9/9/09
APPD.	AGS	9/9/09

PART CODE	SIZE	REV.
C227611-XX	B	-
SCALE	FILE NAME	SHEET
NTS	630B2276-1101.DWG	1 of 1