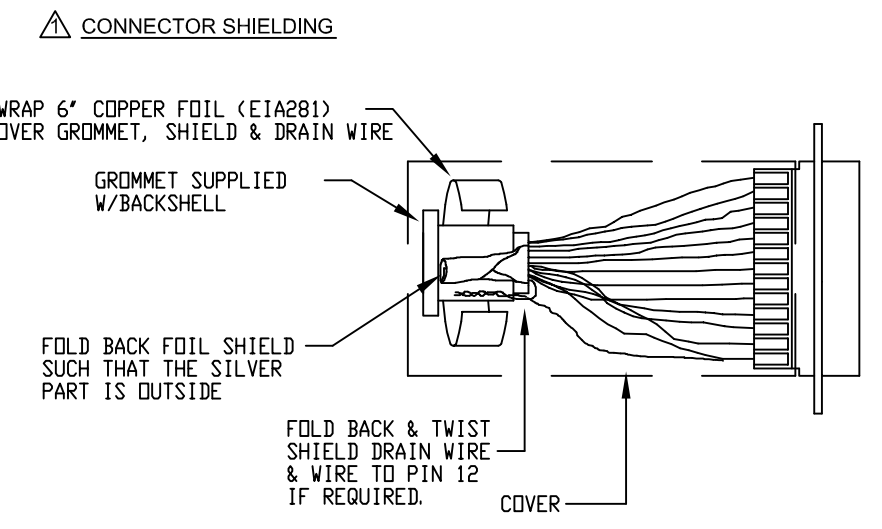
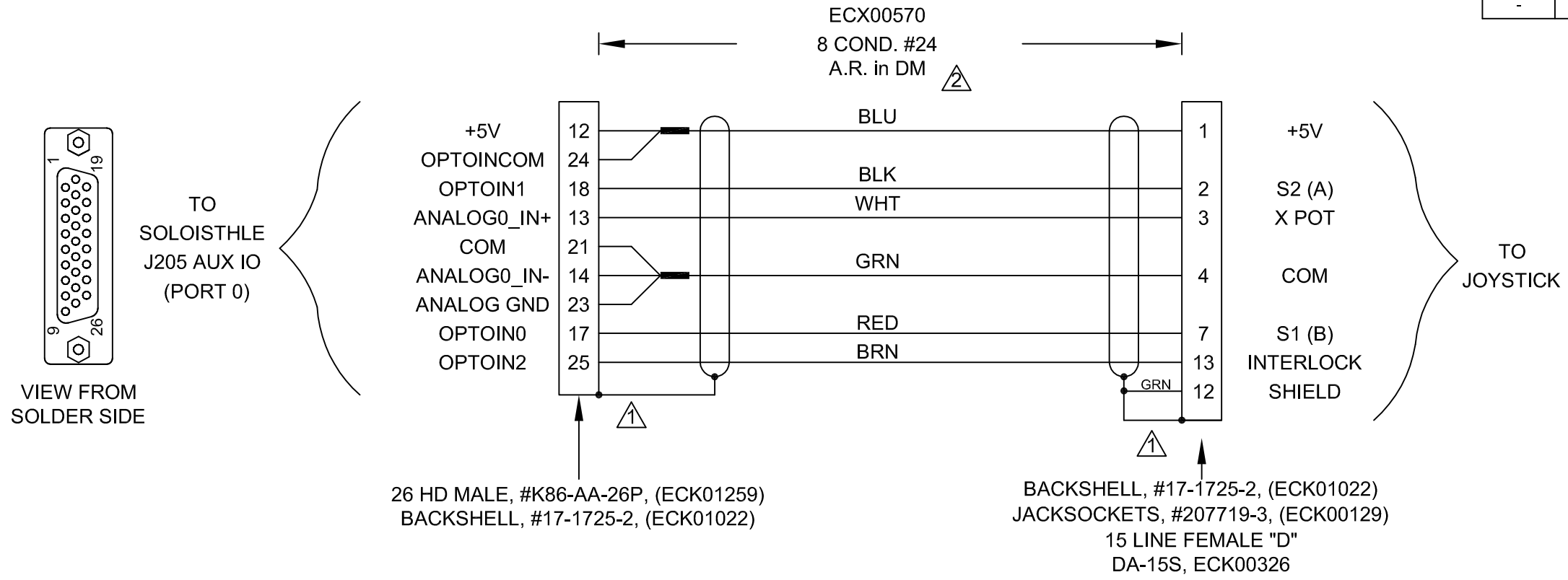
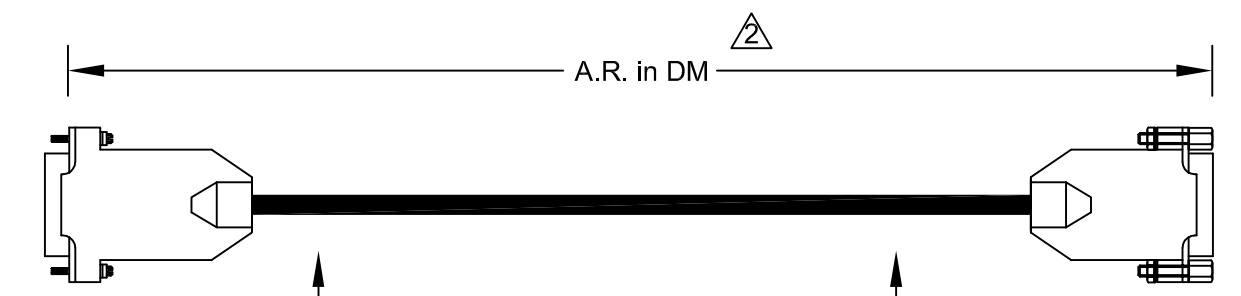


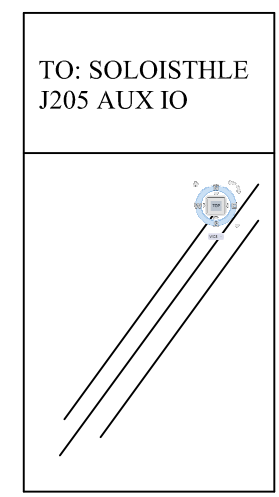
REVISIONS				
SYM.	ZONE	DESCRIPTION	DATE	APPROVAL
-		-	-	-



△ CABLE LENGTH
 CAUTION, CABLE LENGTHS (XX) ARE IN DECIMETERS
 EXAMPLE: C227613-30
 30 = 30 DECIMETERS (3 METERS) = 10FT.

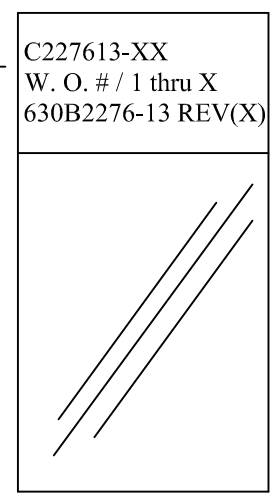


LABEL FOR C227613 CABLES:


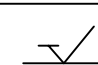


CABLE WRAP LABEL: EIA00113

LABEL FOR C227613 CABLES:



CABLE WRAP LABEL: EIA00113

PROPRIETARY INFORMATION THIS DRAWING IS THE PROPERTY OF AEROTECH, INC. AND IS SUBMITTED IN CONFIDENCE AND SHALL NOT BE REPRODUCED NOR COPIED NOR DISCLOSED TO OTHERS UNDER PENALTY OF LAW.			 AEROTECH, INC. 101 Zeta Drive Pittsburgh, PA. 15238 www.aerotech.com		
SOLOISTHLE SINGLE AXIS JOYSTICK EXTENSION CABLE (JSXT-26HD-15DU MAX 300 DM)					
TOLERANCES ON					
FRACTIONS	DECIMALS	ANGLES			
0 TO 6 $\frac{1}{32}$.XX ± 01	$\pm 0-30'$			
OVER 6 $\frac{1}{16}$.XXX ± 005				
RMS FINISH		EXCEPT AS NOTED			
DRAWN	TES	9/9/09	PART CODE	SIZE	REV.
CHECKED	EJB	9/9/09	C227613-XX	B	630B2276-13 -
APPD.	AGS	9/9/09	SCALE NTS	FILE NAME	630B2276-1301.DWG SHEET 1 of 1