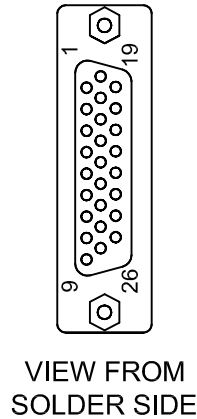


BACKSHELL, #17-1725-2, (ECK01022)  
 JACKSOCKETS, #207719-3, (ECK00129)  
 15 LINE FEMALE "D"  
 DA-15S, ECK00326

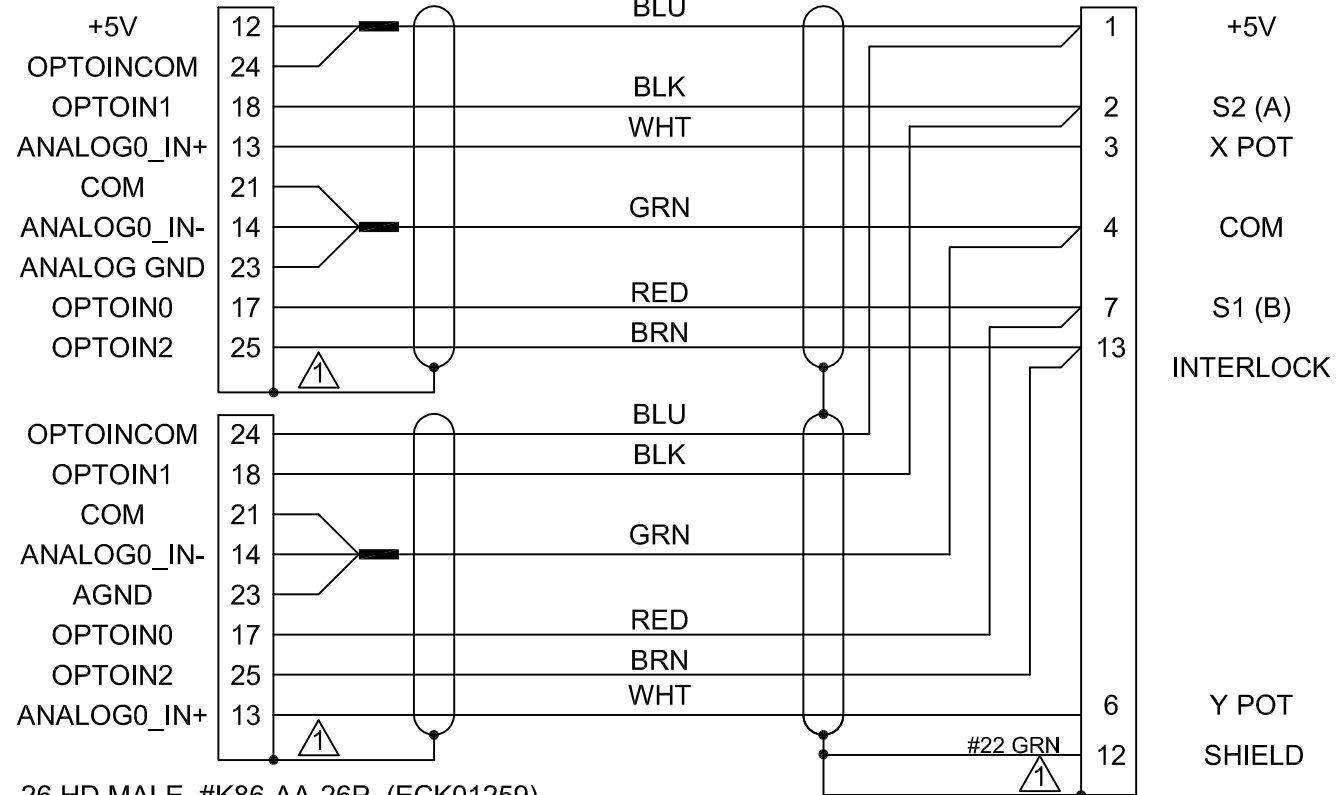
26 HD MALE, #K86-AA-26P, (ECK01259)  
 BACKSHELL, #17-1725-2, (ECK01022)

REVISIONS				
SYM.	ZONE	DESCRIPTION	DATE	APPROVAL
-		-	-	-



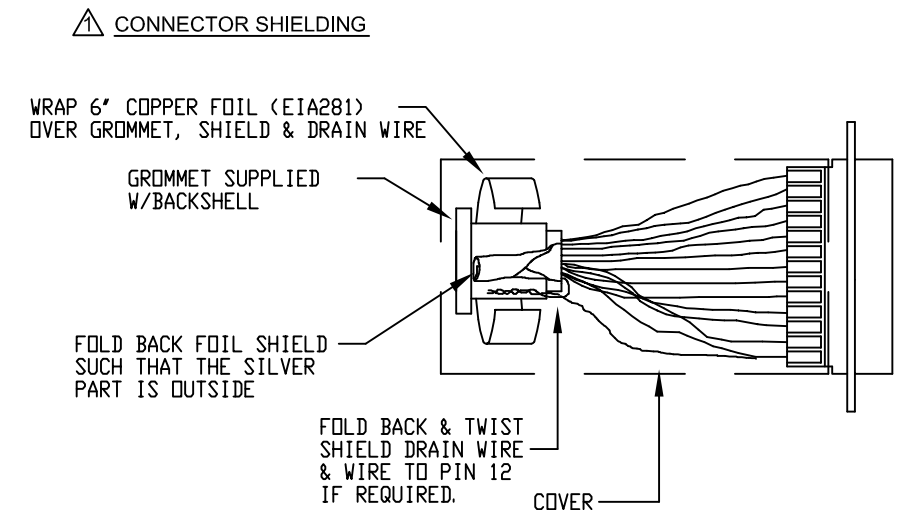
TO  
SOLOISTHLE #1  
J205 AUX IO  
(PORT 0)

TO  
SOLOISTHLE #2  
J205 AUX IO  
(PORT 0)

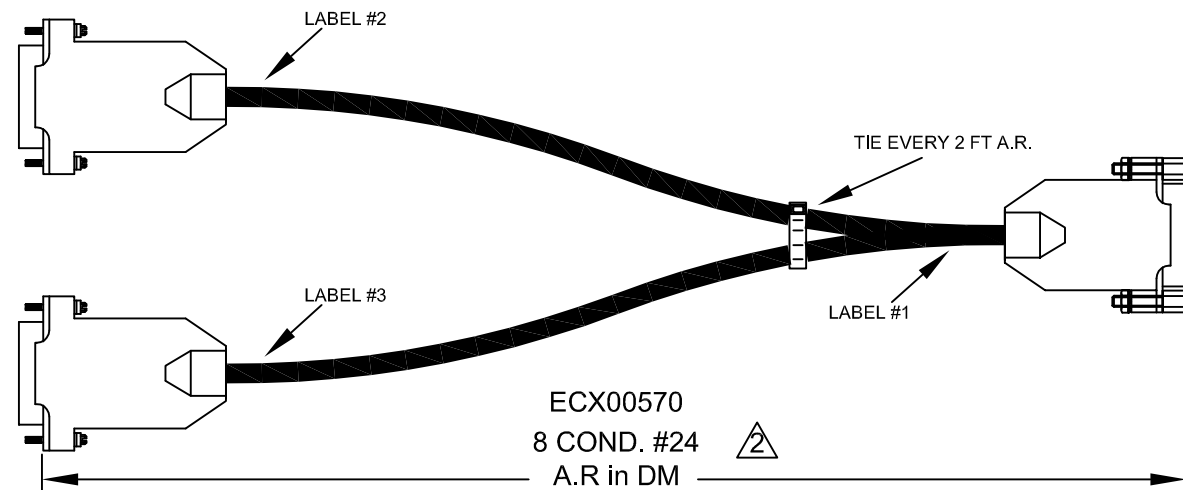


26 HD MALE, #K86-AA-26P, (ECK01259)  
 BACKSHELL, #17-1725-2, (ECK01022)

TO  
JOYSTICK



**CABLE LENGTH**  
 CAUTION, CABLE LENGTHS (XX) ARE IN DECIMETERS  
 EXAMPLE: C227614-30  
 30 = 30 DECIMETERS (3 METERS) = 10FT.



LABEL #1 FOR  
C227614 CABLES:  
(1) REQUIRED

LABEL #2 FOR  
C227614 CABLES:  
(1) REQUIRED

LABEL #3 FOR  
C227614 CABLES:  
(1) REQUIRED

C227614-XX  
W. O. # / 1 thru X  
630B2276-14 REV(X)

CABLE WRAP LABEL: EIA00113

TO: SOLOISTHLe #1  
AUX IO PORT

CABLE WRAP LABEL: EIA00113

TO: SOLOISTHLe #2  
AUX IO PORT

CABLE WRAP LABEL: EIA00113

PROPRIETARY INFORMATION  
 THIS DRAWING IS THE PROPERTY  
 OF AEROTECH, INC. AND IS  
 SUBMITTED IN CONFIDENCE AND  
 SHALL NOT BE REPRODUCED NOR  
 COPIED NOR DISCLOSED TO OTHERS  
 UNDER PENALTY OF LAW.



AEROTECH, INC. 101 Zeta Drive  
 Pittsburgh, PA. 15238  
 www.aerotech.com

# SOLOISTHLE DUAL AXIS JOYSTICK EXTENSION CABLE (JSXT-26HD 26HD-15DU-MAX 300 DM)

TOLERANCES ON		
FRACTIONS	DECIMALS	ANGLES
0 TO 6 $\frac{1}{32}$	.XX $\pm 01$	$\pm 0-30'$
OVER 6 $\frac{1}{16}$	.XXX $\pm 005$	
RMS FINISH	EXCEPT AS NOTED	

DRAWN	TES	9/9/09	PART CODE	SIZE	REV.
CHECKED	EJB	9/9/09	C227614-XX	B	-
APPD.	AGS	9/9/09	SCALE NTS	FILE NAME	SHEET
				630B2276-1401.DWG	1 of 1

**630B2276-14**