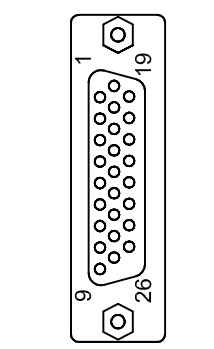


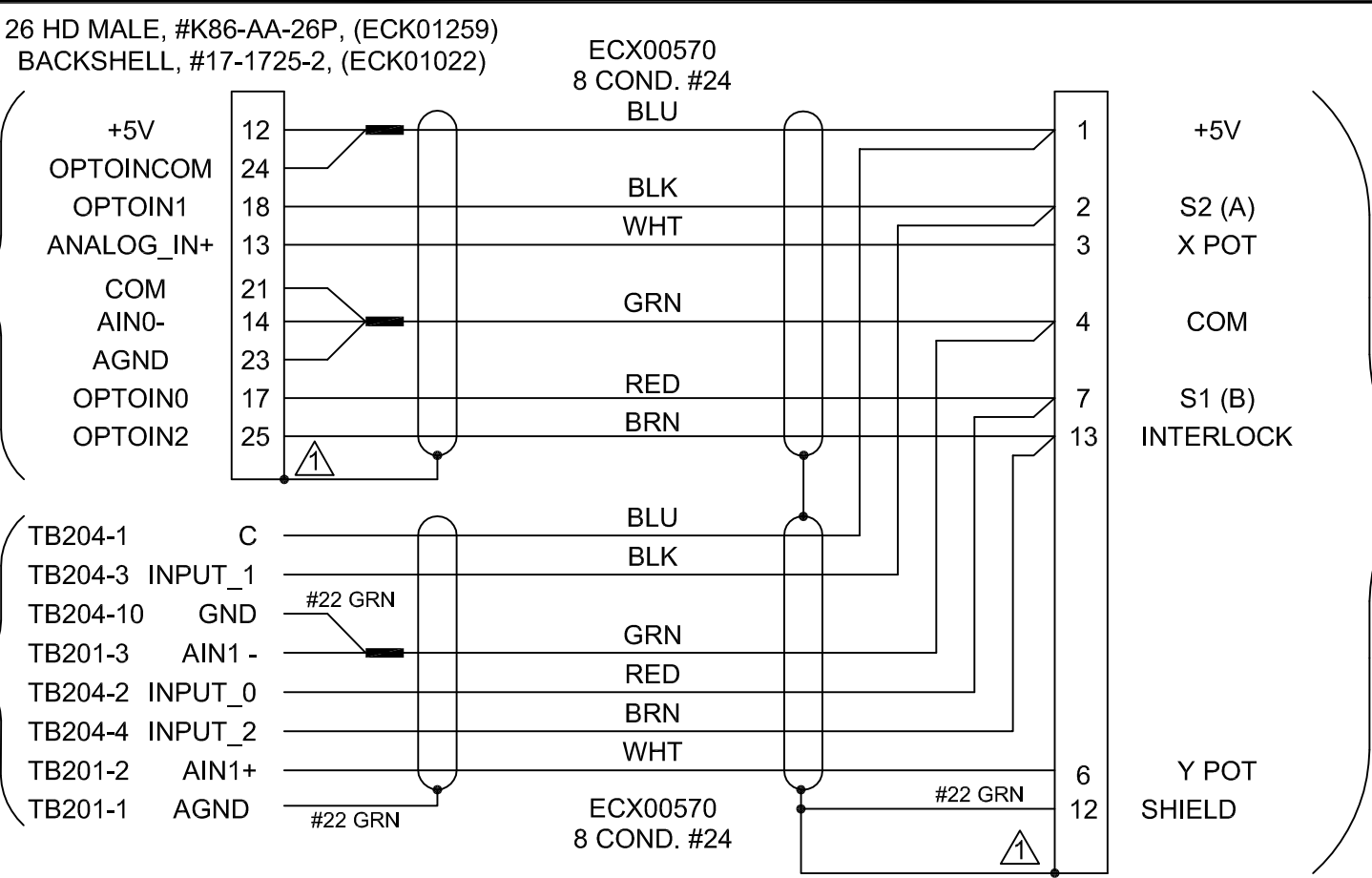
REVISIONS				
SYM.	ZONE	DESCRIPTION	DATE	APPROVAL
-			-	-



VIEW FROM SOLDER SIDE

TO SOLOISTCP #1  
J104 AUX IO  
(PORT 0)

TO SOLOISTCP #2  
IO BOARD  
(PORT 1)



BACKSHELL, #17-1725-2, (ECK01022)  
JACKSOCKETS, #207719-3, (ECK00129)  
15 LINE FEMALE "D"  
DA-15S, ECK00326

TO JOYSTICK

CONNECTOR SHIELDING

WRAP 6" COPPER FOIL (EIA281)  
OVER GROMMET, SHIELD & DRAIN WIRE

GROMMET SUPPLIED  
W/BACKSHELL

FOLD BACK FOIL SHIELD  
SUCH THAT THE SILVER  
PART IS OUTSIDE

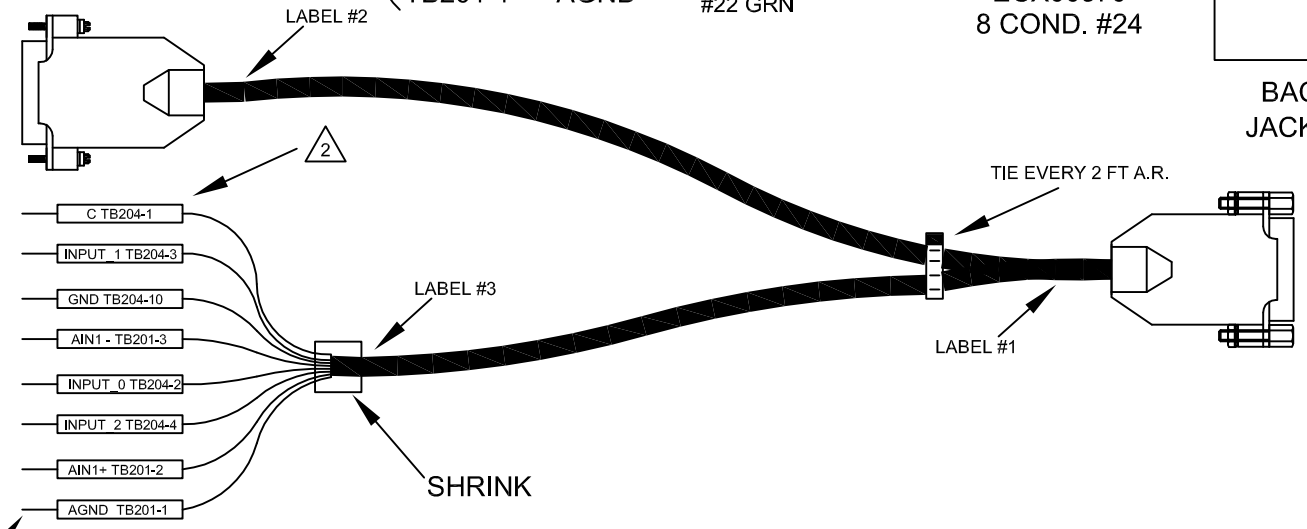
FOLD BACK & TWIST  
SHIELD DRAIN WIRE  
& WIRE TO PIN 12  
IF REQUIRED.

WIRE MARKERS

LABEL WIRES WITH BRADY LABELS AS NOTED  
PSPT-125-175-WT WIRE MARKING SLEEVE (EIA01161)

CABLE LENGTH

CAUTION, CABLE LENGTHS (XX) ARE IN DECIMETERS  
EXAMPLE: C22763-30  
30 = 30 DECIMETERS (3 METERS) = 10FT.

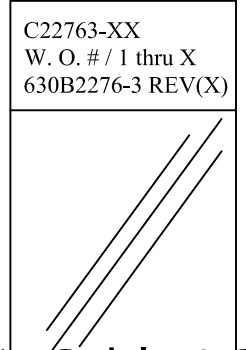


STRIP BACK 5/16 in.  
3 PLCS

6in.

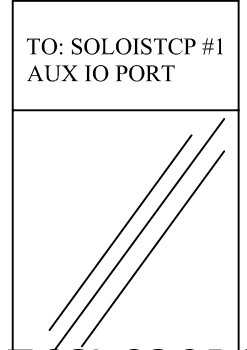
A.R. in DM

LABEL #1 FOR  
C22763 CABLES:  
(1) REQUIRED



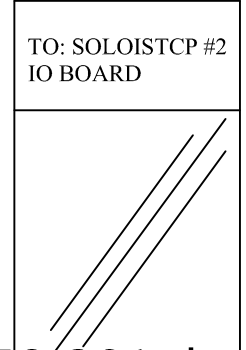
CABLE WRAP LABEL: EIA00113

LABEL #2 FOR  
C22763 CABLES:  
(1) REQUIRED



CABLE WRAP LABEL: EIA00113

LABEL #3 FOR  
C22763 CABLES:  
(1) REQUIRED



CABLE WRAP LABEL: EIA00113

PROPRIETARY INFORMATION  
THIS DRAWING IS THE PROPERTY  
OF AEROTECH, INC. AND IS  
SUBMITTED IN CONFIDENCE AND  
SHALL NOT BE REPRODUCED NOR  
COPIED NOR DISCLOSED TO OTHERS  
UNDER PENALTY OF LAW.



AEROTECH, INC. 101 Zeta Drive  
Pittsburgh, PA. 15238  
www.aerotech.com

# SOLOISTCP DUAL AXIS JOYSTICK EXTENSION CABLE (JSXT-FLY 26HD-15DU-MAX 300 DM)

TOLERANCES ON		
FRACTIONS	DECIMALS	ANGLES
0 TO 6 $\frac{1}{32}$	.XX $\pm 0.01$	$\pm 0-30'$
OVER 6 $\frac{1}{16}$	.XXX $\pm 0.005$	
RMS FINISH	EXCEPT AS NOTED	

DRAWN	TES	9/1/09	PART CODE	SIZE	REV.
CHECKED	EJB	9/1/09	C22763-XX	B	-
			630B2276-3		