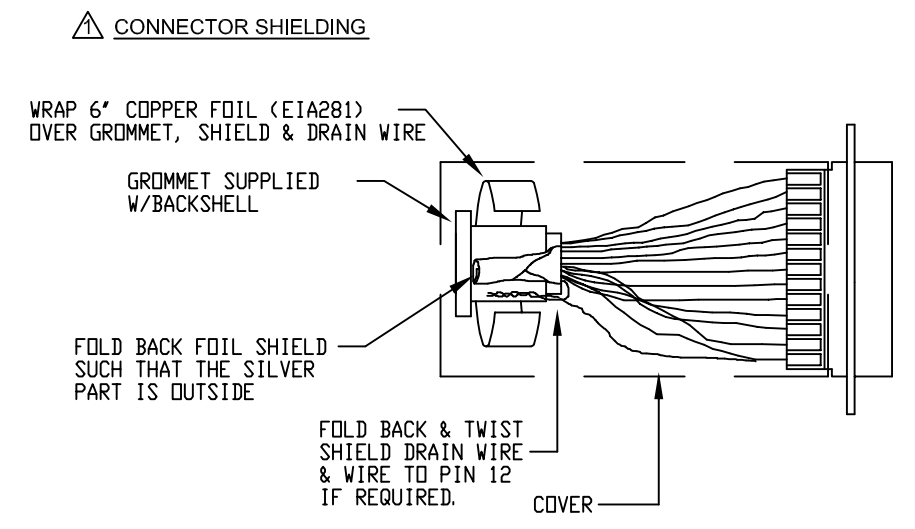
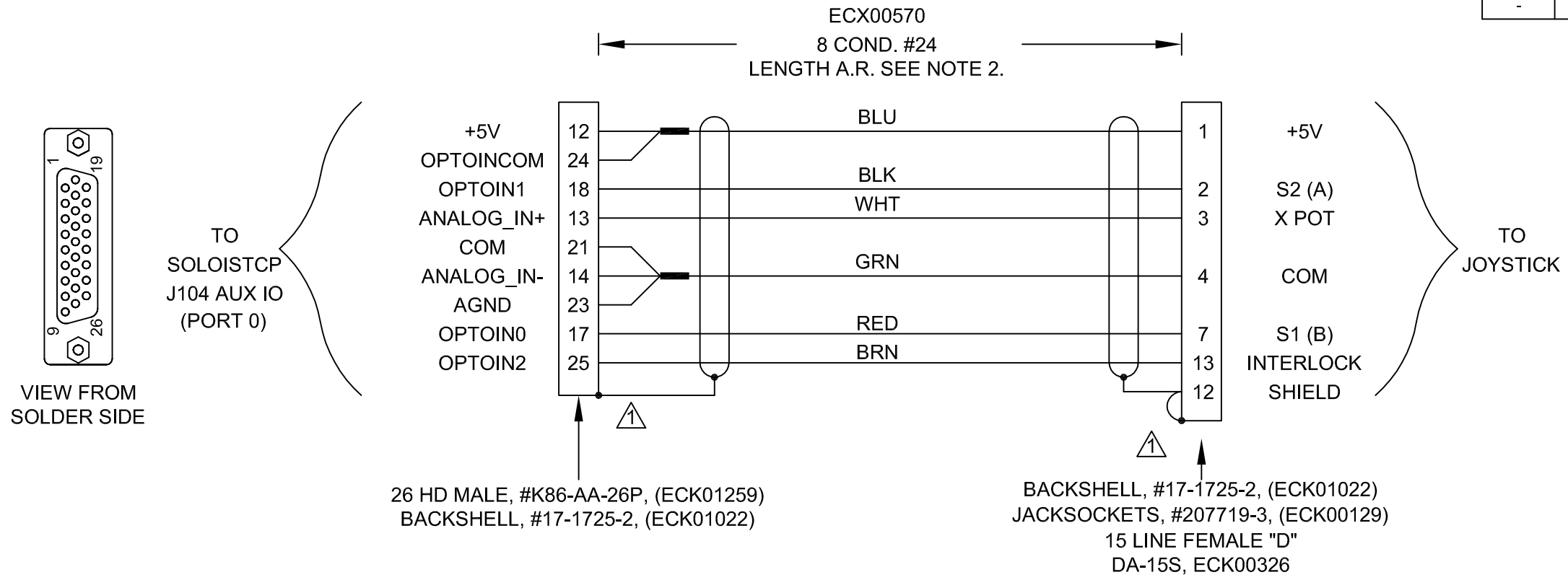
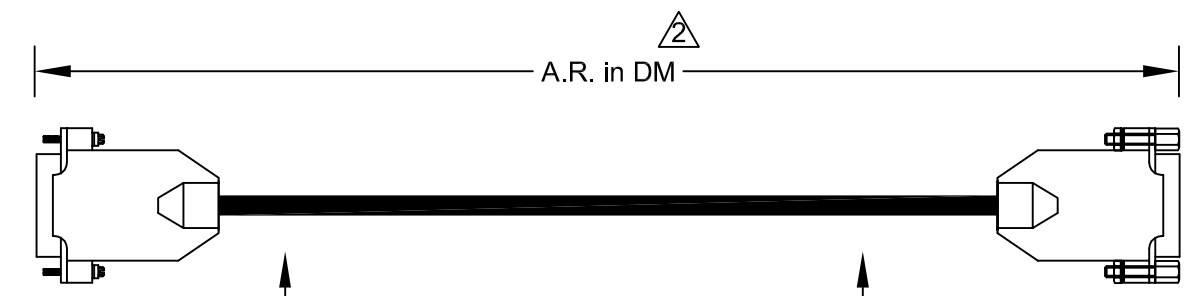


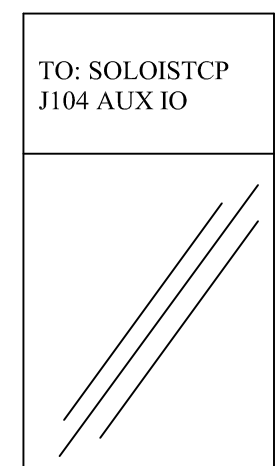
| REVISIONS | | | | |
|-----------|------|-------------|------|----------|
| SYM. | ZONE | DESCRIPTION | DATE | APPROVAL |
| - | | - | - | - |



△ CABLE LENGTH
 CAUTION, CABLE LENGTHS (XX) ARE IN DECIMETERS
 EXAMPLE: C22764-30
 30 = 30 DECIMETERS (3 METERS) = 10FT.

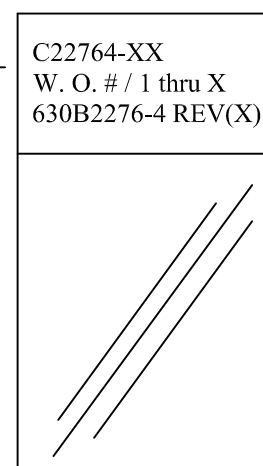


LABEL FOR C22764CABLES:



CABLE WRAP LABEL: EIA00113

LABEL FOR C22764 CABLES:



CABLE WRAP LABEL: EIA00113

PROPRIETARY INFORMATION
 THIS DRAWING IS THE PROPERTY OF AEROTECH, INC. AND IS SUBMITTED IN CONFIDENCE AND SHALL NOT BE REPRODUCED NOR COPIED NOR DISCLOSED TO OTHERS UNDER PENALTY OF LAW.



AEROTECH, INC. 101 Zeta Drive
 Pittsburgh, PA. 15238
 www.aerotech.com

SOLOISTCP SINGLE AXIS JOYSTICK EXTENSION CABLE (JSXT-26HD-15DU-MAX 300 DM)

| TOLERANCES ON | | |
|-----------------------|----------------|-------------|
| FRACTIONS | DECIMALS | ANGLES |
| 0 TO 6 $\frac{1}{32}$ | .XX ± 01 | $\pm 0-30'$ |
| OVER 6 $\frac{1}{16}$ | .XXX ± 005 | |

| | | |
|------------|--|-----------------|
| RMS FINISH | | EXCEPT AS NOTED |
|------------|--|-----------------|

| | | |
|---------|-----|--------|
| DRAWN | TES | 9/9/09 |
| CHECKED | EJB | 9/9/09 |

| | | |
|------------|------|------|
| PART CODE | SIZE | REV. |
| C22764-XX | B | - |
| 630B2276-4 | | |