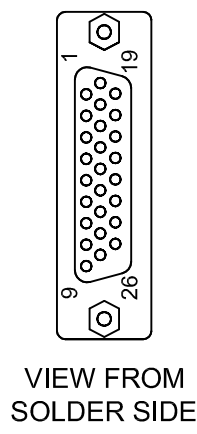


BACKSHELL, #17-1725-2, (ECK01022)
 JACKSOCKETS, #207719-3, (ECK00129)
 15 LINE FEMALE "D"
 DA-15S, ECK00326

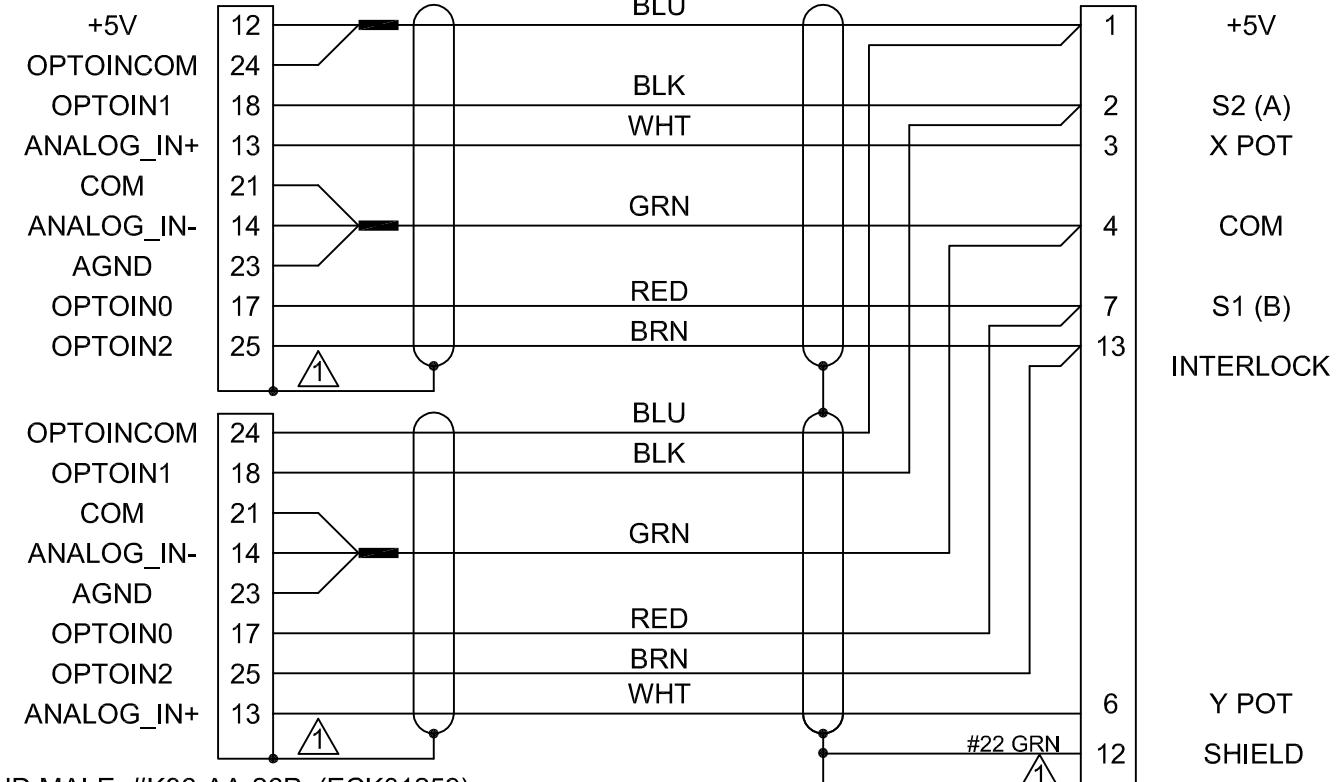
26 HD MALE, #K86-AA-26P, (ECK01259)
 BACKSHELL, #17-1725-2, (ECK01022)

REVISIONS				
SYM.	ZONE	DESCRIPTION	DATE	APPROVAL
-	-	-	-	-



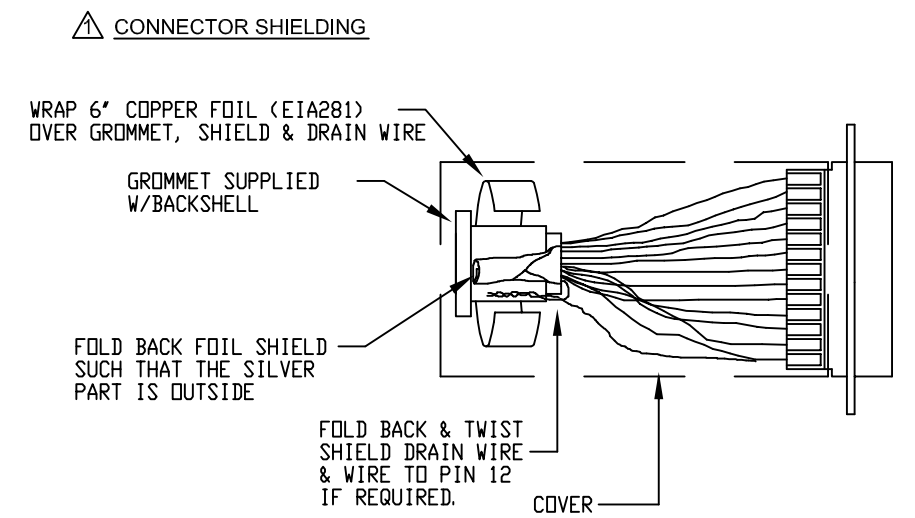
TO
SOLOISTCP #1
J104 AUX IO
(PORT 0)

TO
SOLOISTCP #2
J104 AUX IO
(PORT 0)

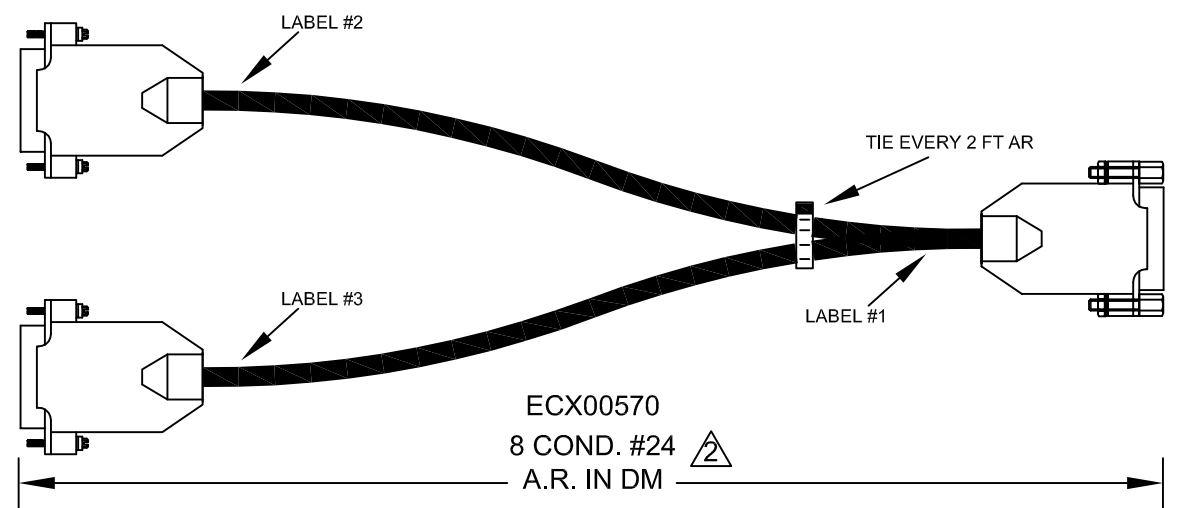


26 HD MALE, #K86-AA-26P, (ECK01259)
 BACKSHELL, #17-1725-2, (ECK01022)

TO
JOYSTICK



△ CABLE LENGTH
 CAUTION, CABLE LENGTHS (XX) ARE IN DECIMETERS
 EXAMPLE: C22765-30
 30 = 30 DECIMETERS (3 METERS) = 10FT.

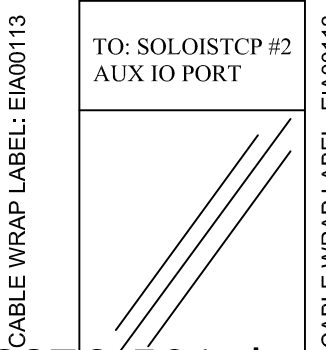
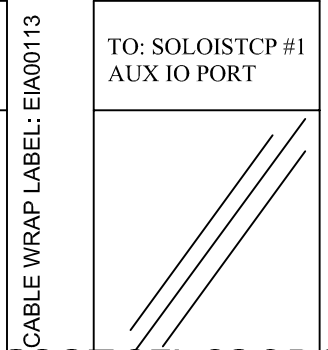
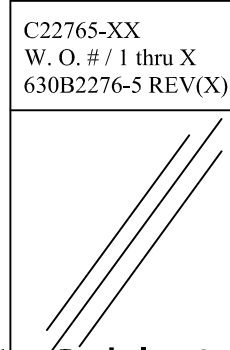


ECX00570
 8 COND. #24 **△**
 A.R. IN DM

LABEL #1 FOR
C22765 CABLES:
(1) REQUIRED

LABEL #2 FOR
C22765 CABLES:
(1) REQUIRED

LABEL #3 FOR
C22765 CABLES:
(1) REQUIRED



PROPRIETARY INFORMATION
 THIS DRAWING IS THE PROPERTY
 OF AEROTECH, INC. AND IS
 SUBMITTED IN CONFIDENCE AND
 SHALL NOT BE REPRODUCED NOR
 COPIED NOR DISCLOSED TO OTHERS
 UNDER PENALTY OF LAW.



AEROTECH, INC. 101 Zeta Drive
 Pittsburgh, PA. 15238
 www.aerotech.com

SOLOISTCP DUAL AXIS JOYSTICK EXTENSION CABLE (JSXT-26HD 26HD-15DU-MAX 300 DM)

TOLERANCES ON		
FRACTIONS	DECIMALS	ANGLES
0 TO 6 ±1/32	.XX ±01	± 0-30'
OVER 6 ±1/16	.XXX ±005	

RMS FINISH		EXCEPT AS NOTED
DRAWN	TES	9/9/09
CHECKED	EJB	9/9/09

PART CODE	SIZE	REV.
C22765-XX	B	-