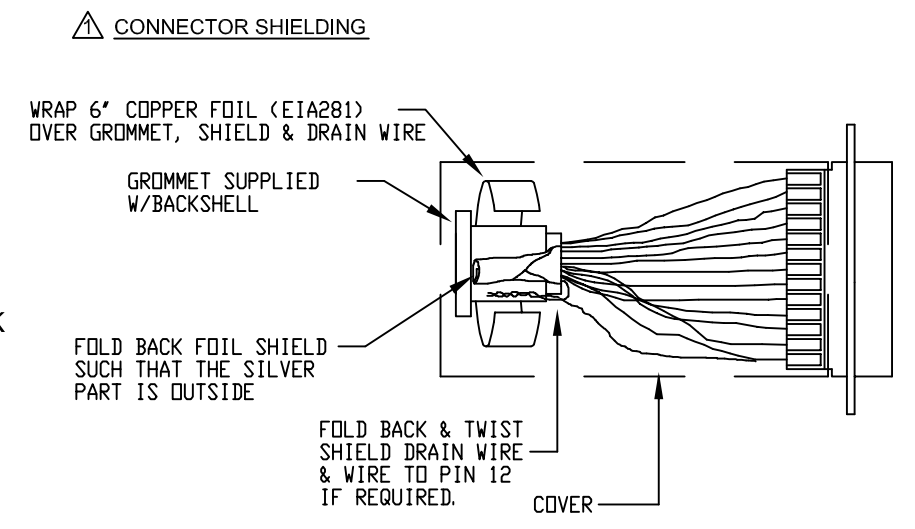
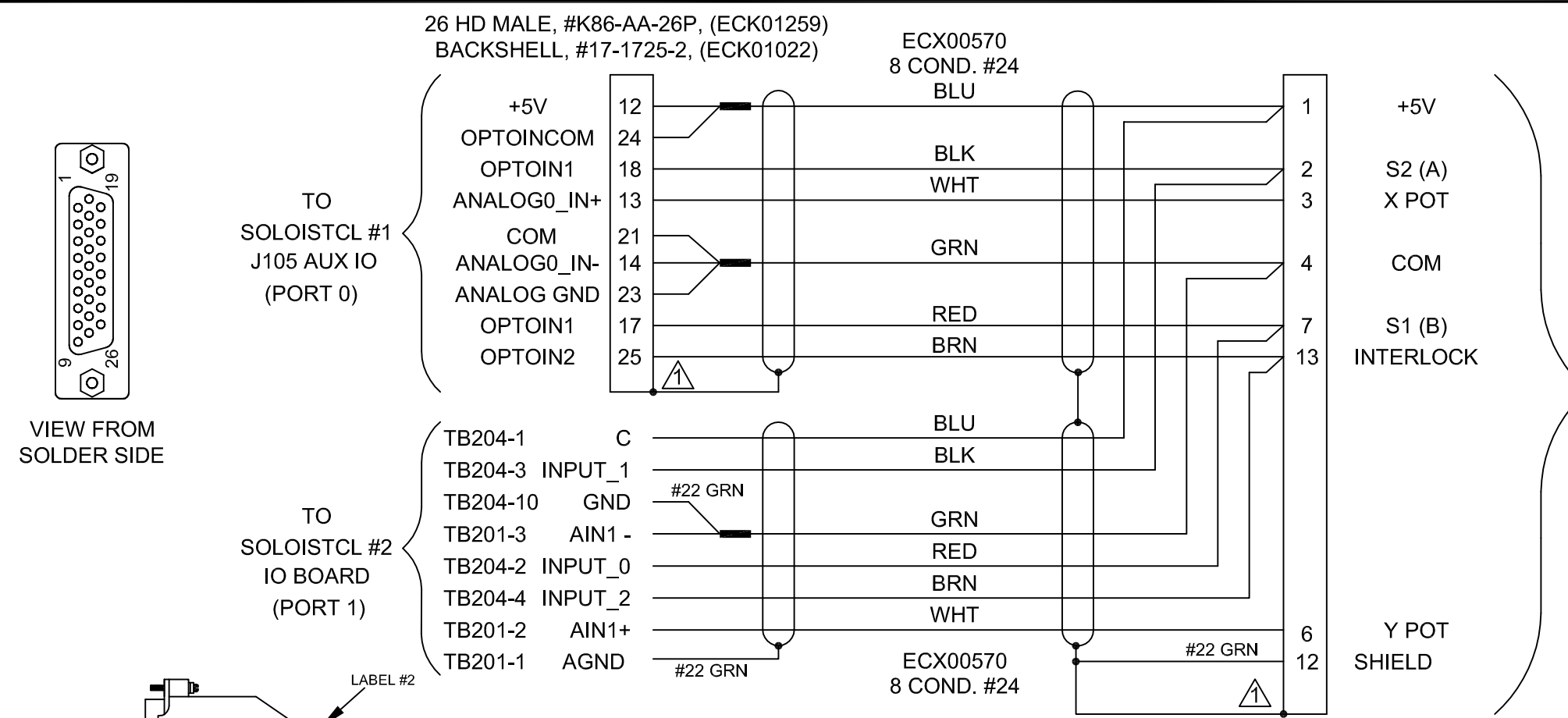


REVISIONS				
SYM.	ZONE	DESCRIPTION	DATE	APPROVAL
-	-	-	-	-



- WIRE MARKERS
LABEL WIRES WITH BRADY LABELS AS NOTED
PSPT-125-175-WT WIRE MARKING SLEEVE (EIA01161)
- CABLE LENGTH
CAUTION, CABLE LENGTHS (XX) ARE IN DECIMETERS
EXAMPLE: C22766-30
30 = 30 DECIMETERS (3 METERS) = 10FT.



PROPRIETARY INFORMATION
THIS DRAWING IS THE PROPERTY
OF AEROTECH, INC. AND IS
SUBMITTED IN CONFIDENCE AND
SHALL NOT BE REPRODUCED NOR
COPIED NOR DISCLOSED TO OTHERS
UNDER PENALTY OF LAW.

AEROTECH®
AEROTECH, INC. 101 Zeta Drive
Pittsburgh, PA. 15238
www.aerotech.com

SOLOISTCL DUAL AXIS JOYSTICK CABLE (JSXT-FLY 26HD-15DU-MAX 300 DM)

TOLERANCES ON		
FRACTIONS	DECIMALS	ANGLES
0 TO 6 ±1/32	.XX ±01	± 0-30'
OVER 6 ±1/16	.XXX ±005	
RMS FINISH	EXCEPT AS NOTED	
DRAWN	TES	9/1/09
CHECKED	EJB	9/1/09

PART CODE	SIZE	REV.
C22766-XX	B	-
630B2276-6		