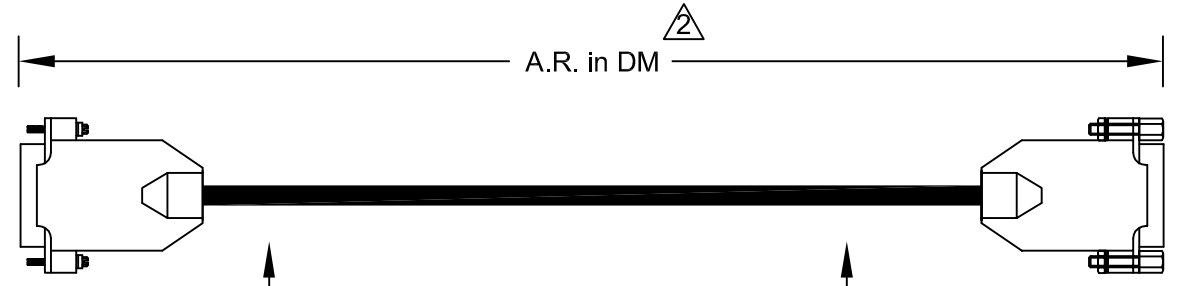
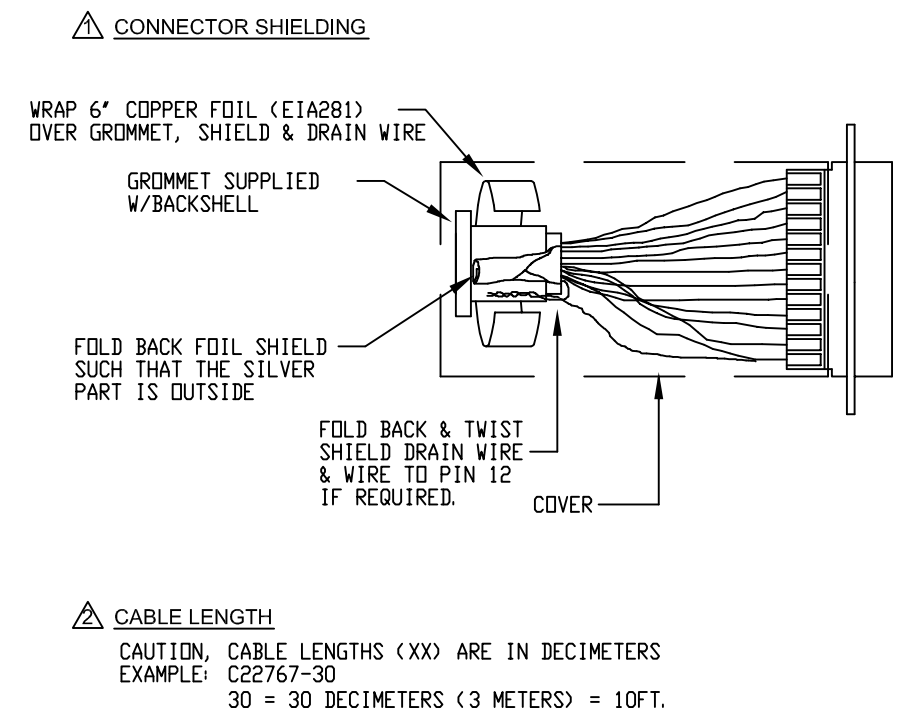
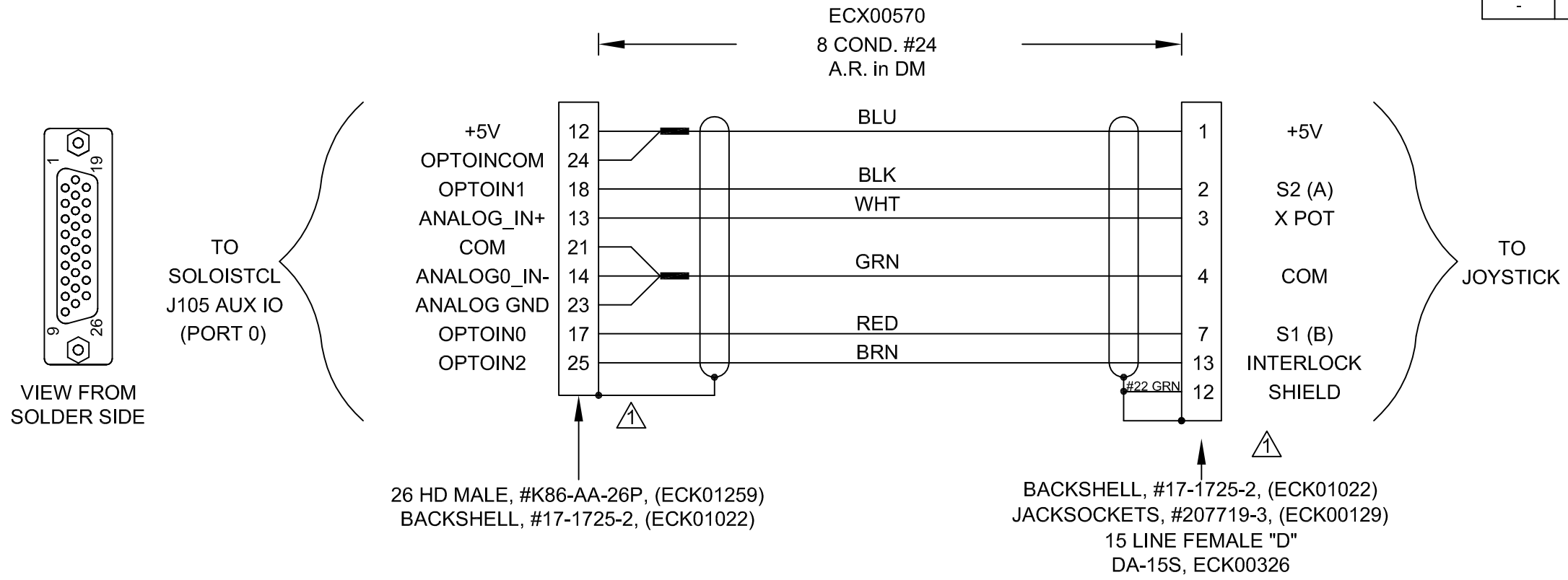
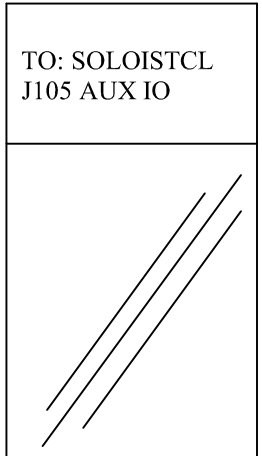


REVISIONS				
SYM.	ZONE	DESCRIPTION	DATE	APPROVAL
-			-	-

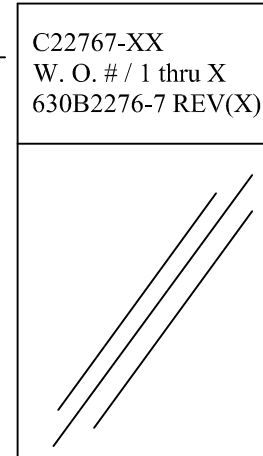


LABEL FOR C22767 CABLES:



CABLE WRAP LABEL: EIA00113

LABEL FOR C22767 CABLES:
(1) REQUIRED



CABLE WRAP LABEL: EIA00113

PROPRIETARY INFORMATION
THIS DRAWING IS THE PROPERTY OF AEROTECH, INC. AND IS SUBMITTED IN CONFIDENCE AND SHALL NOT BE REPRODUCED NOR COPIED NOR DISCLOSED TO OTHERS UNDER PENALTY OF LAW.



AEROTECH, INC. 101 Zeta Drive
Pittsburgh, PA. 15238
www.aerotech.com

SOLOISTCL SINGLE AXIS JOYSTICK EXTENSION CABLE (JSXT-26HD-15DU-MAX 300 DM)

TOLERANCES ON		
FRACTIONS	DECIMALS	ANGLES
0 TO 6 ±1/32	.XX ±01	± 0-30'
OVER 6 ±1/16	.XXX ±005	

RMS FINISH EXCEPT AS NOTED

DRAWN	TES	9/9/09
CHECKED	EJB	9/9/09

PART CODE	SIZE	REV.
C22767-XX	B	-
630B2276-7		