

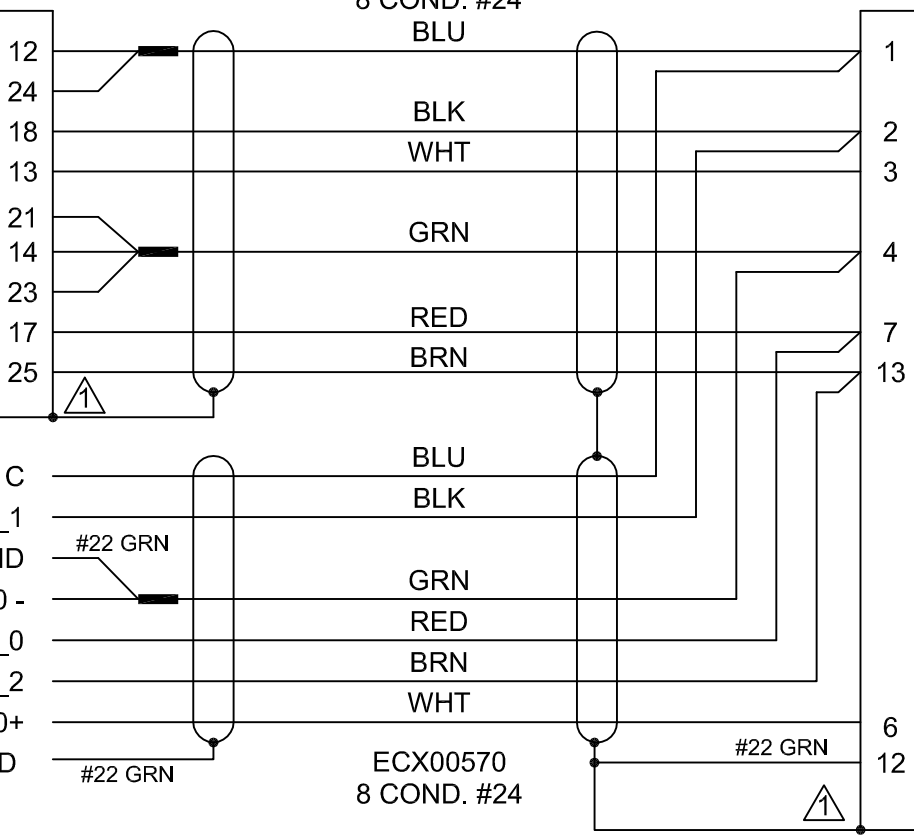
REVISIONS				
SYM.	ZONE	DESCRIPTION	DATE	APPROVAL
-			-	-

26 HD MALE, #K86-AA-26P, (ECK01259)  
BACKSHELL, #17-1725-2, (ECK01022)

ECX00570  
8 COND. #24  
BLU

TO SOLOISTHPE #1  
J205 AUX IO  
(PORT 0)

+5V 12  
OPTOINCOM 24  
OPTOIN1 18  
ANALOG0\_IN+ 13  
COM 21  
ANALOG0\_IN- 14  
ANALOG GND 23  
OPTOIN0 17  
OPTOIN2 25



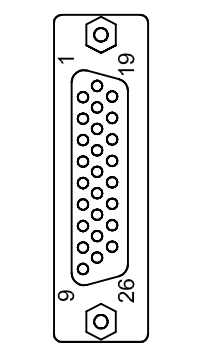
+5V 1  
S2 (A) 2  
X POT 3  
COM 4  
S1 (B) 7  
INTERLOCK 13  
Y POT 6  
SHIELD 12

TO SOLOISTHPE #2  
IO BOARD  
(PORT 1)

TB305-1 C  
TB305-3 INPUT\_1  
TB305-10 GND  
TB304-3 AIN0 -  
TB305-2 INPUT\_0  
TB305-4 INPUT\_2  
TB304-2 AIN0+  
TB304-1 AGND

ECX00570  
8 COND. #24  
#22 GRN

BACKSHELL, #17-1725-2, (ECK01022)  
JACKSOCKETS, #207719-3, (ECK00129)  
15 LINE FEMALE "D"  
DA-15S, ECK00326



VIEW FROM  
SOLDER SIDE

△ CONNECTOR SHIELDING

WRAP 6" COPPER FOIL (EIA281)  
OVER GROMMET, SHIELD & DRAIN WIRE

GROMMET SUPPLIED  
W/BACKSHELL

FOLD BACK FOIL SHIELD  
SUCH THAT THE SILVER  
PART IS OUTSIDE

FOLD BACK & TWIST  
SHIELD DRAIN WIRE  
& WIRE TO PIN 12  
IF REQUIRED.

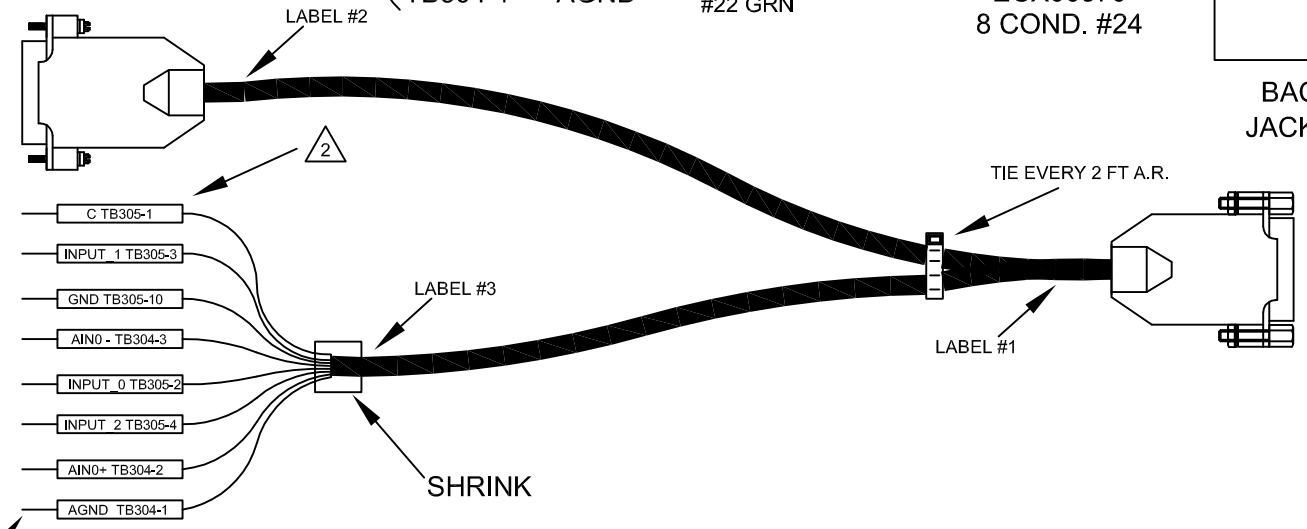
COVER

△ WIRE MARKERS

LABEL WIRES WITH BRADY LABELS AS NOTED  
PSPT-125-175-WT WIRE MARKING SLEEVE #22-16 GA (EIA01161)

△ CABLE LENGTH

CAUTION, CABLE LENGTHS (XX) ARE IN DECIMETERS  
EXAMPLE: C22769-30  
30 = 30 DECIMETERS (3 METERS) = 10FT.

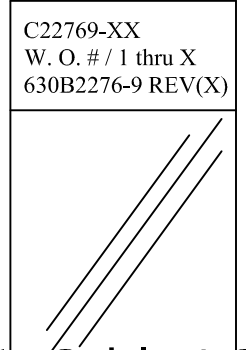


STRIP BACK 5/16 in.  
3 PLCS

6in.

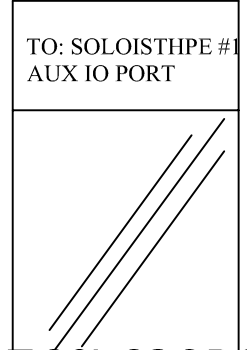
A.R. in DM

LABEL #1 FOR  
C22769 CABLES:  
(1) REQUIRED



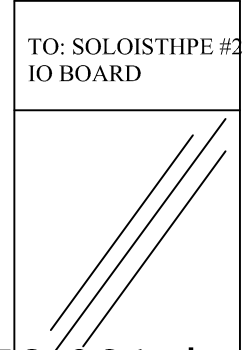
CABLE WRAP LABEL: EIA00113

LABEL #2 FOR  
C22769 CABLES:  
(1) REQUIRED



CABLE WRAP LABEL: EIA00113

LABEL #3 FOR  
C22769 CABLES:  
(1) REQUIRED



CABLE WRAP LABEL: EIA00113

PROPRIETARY INFORMATION  
THIS DRAWING IS THE PROPERTY  
OF AEROTECH, INC. AND IS  
SUBMITTED IN CONFIDENCE AND  
SHALL NOT BE REPRODUCED NOR  
COPIED NOR DISCLOSED TO OTHERS  
UNDER PENALTY OF LAW.

TOLERANCES ON		
FRACTIONS	DECIMALS	ANGLES
0 TO 6 ±1/32	.XX ±01	± 0-30'
OVER 6 ±1/16	.XXX ±005	

RMS FINISH EXCEPT AS NOTED

DRAWN	TES	9/1/09
CHECKED	EJB	9/1/09



AEROTECH, INC. 101 Zeta Drive  
Pittsburgh, PA. 15238  
www.aerotech.com

# SOLOISTHPE DUAL AXIS JOYSTICK CABLE (JSXT-FLY 26HD-15DU-MAX 300 DM)

PART CODE	SIZE	REV.
C22769-XX	B	-
630B2276-9		