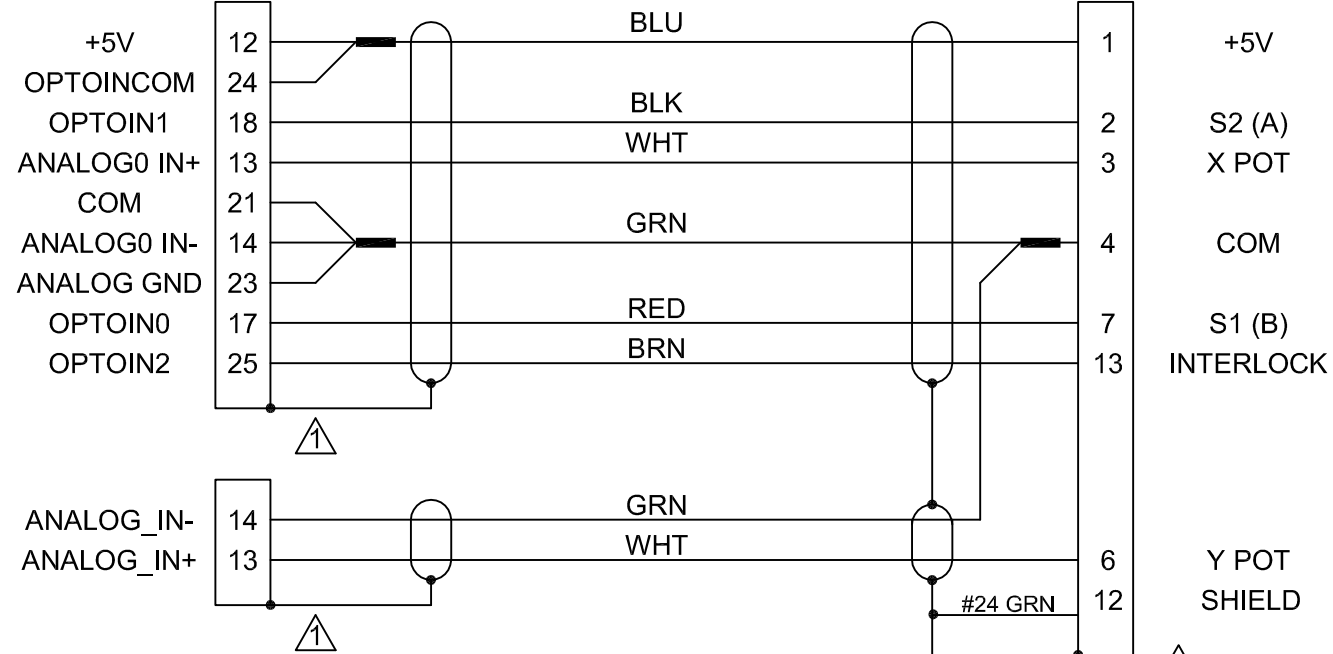


BACKSHELL, #17-1725-2, (ECK01022)
 JACKSOCKETS, #207719-3, (ECK00129)
 15 LINE FEMALE "D"
 DA-15S, ECK00326

REVISIONS				
SYM.	ZONE	DESCRIPTION	DATE	APPROVAL
-		-	-	-

26 HD MALE, #K86-AA-26P, (ECK01259)
 BACKSHELL, #17-1725-2, (ECK01022)



26 HD MALE, #K86-AA-26P, (ECK01259)
 BACKSHELL, #17-1725-2, (ECK01022)

TO JOYSTICK

△ CONNECTOR SHIELDING

WRAP 6" COPPER FOIL (EIA281)
 OVER GROMMET, SHIELD & DRAIN WIRE

GROMMET SUPPLIED
 W/BACKSHELL

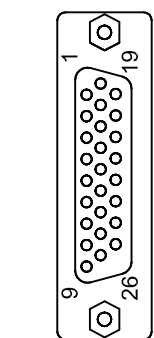
FOLD BACK FOIL SHIELD
 SUCH THAT THE SILVER
 PART IS OUTSIDE

FOLD BACK & TWIST
 SHIELD DRAIN WIRE
 & WIRE TO PIN 12
 IF REQUIRED.

COVER

△ CABLE LENGTH

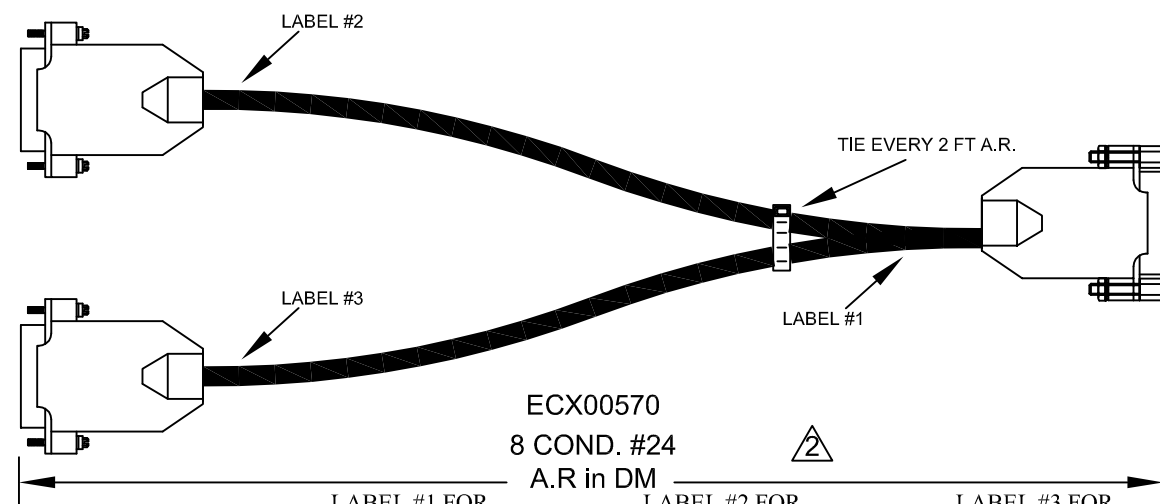
CAUTION, CABLE LENGTHS (XX) ARE IN DECIMETERS
 EXAMPLE: C227711-30
 30 = 30 DECIMETERS (3 METERS) = 10FT.



VIEW FROM
 SOLDER SIDE

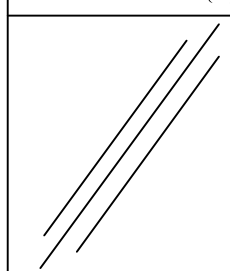
TO
 ENSEMBLEHPE #1
 J205 AUX IO
 (PORT 0)

TO
 ENSEMBLEHPE #2
 J205 AUX IO
 (PORT 0)



LABEL #1 FOR
 C227711 CABLES:
 (1) REQUIRED

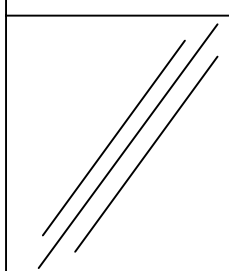
C227711-XX
 W. O. # / 1 thru X
 630B2277-11 REV(X)



CABLE WRAP LABEL: EIA00113

LABEL #2 FOR
 C227711 CABLES:
 (1) REQUIRED

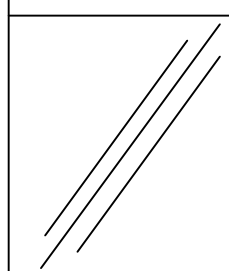
TO: ENSEMBLEHPE #1
 AUX IO PORT



CABLE WRAP LABEL: EIA00113

LABEL #3 FOR
 C227711 CABLES:
 (1) REQUIRED

TO: ENSEMBLEHPE #2
 AUX IO PORT



CABLE WRAP LABEL: EIA00113

PROPRIETARY INFORMATION
 THIS DRAWING IS THE PROPERTY
 OF AEROTECH, INC. AND IS
 SUBMITTED IN CONFIDENCE AND
 SHALL NOT BE REPRODUCED NOR
 COPIED NOR DISCLOSED TO OTHERS
 UNDER PENALTY OF LAW.



AEROTECH, INC. 101 Zeta Drive
 Pittsburgh, PA. 15238
 www.aerotech.com

TOLERANCES ON		
FRACTIONS	DECIMALS	ANGLES
0 TO 6 $\frac{1}{32}$.XX ± 0.01	$\pm 0-30'$
OVER 6 $\frac{1}{16}$.XXX ± 0.005	

RMS FINISH EXCEPT AS NOTED

DRAWN	TES	9/9/09
CHECKED	EJB	9/9/09
APPD.	AGS	9/9/09

**ENSEMBLEHPE DUAL AXIS
 JOYSTICK EXTENSION CABLE**
 (JSXT-26HD 26HD-15DU-MAX300DM)

PART CODE	SIZE	REV.
C227711-XX	B	-
SCALE NTS	FILE NAME	SHEET
	630B2277-1101.DWG	1 of 1