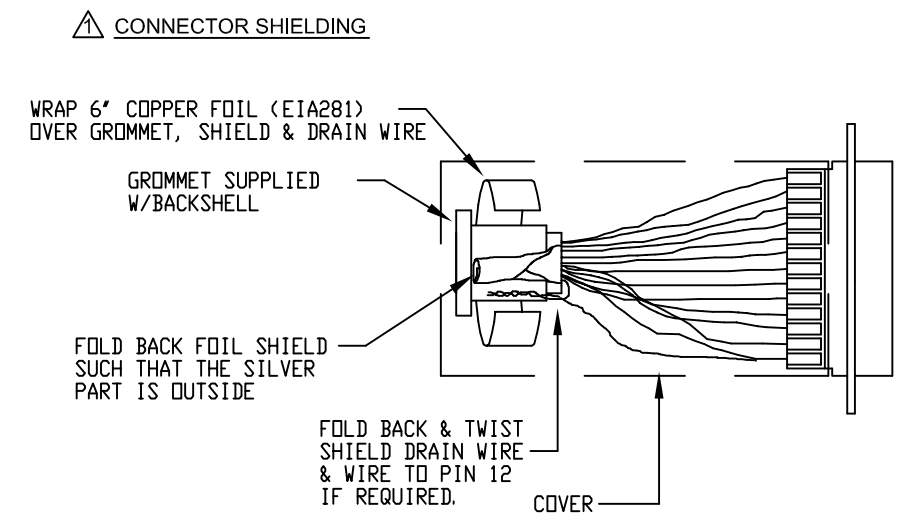
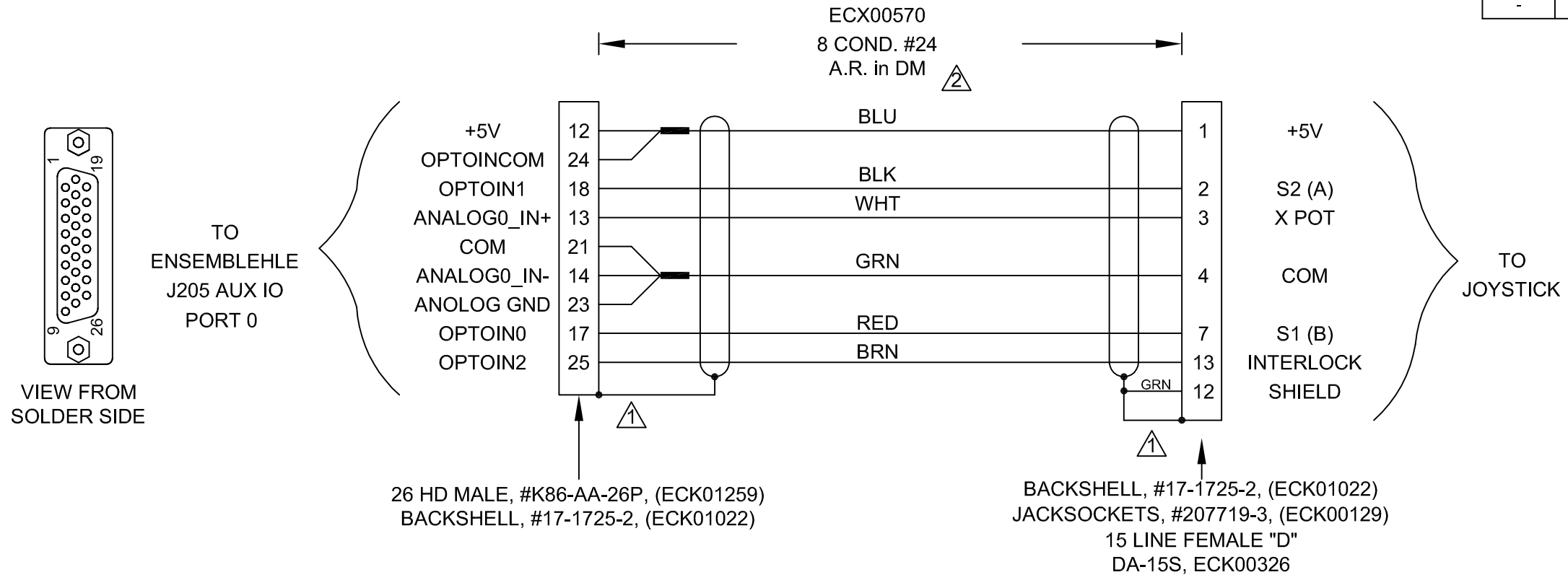
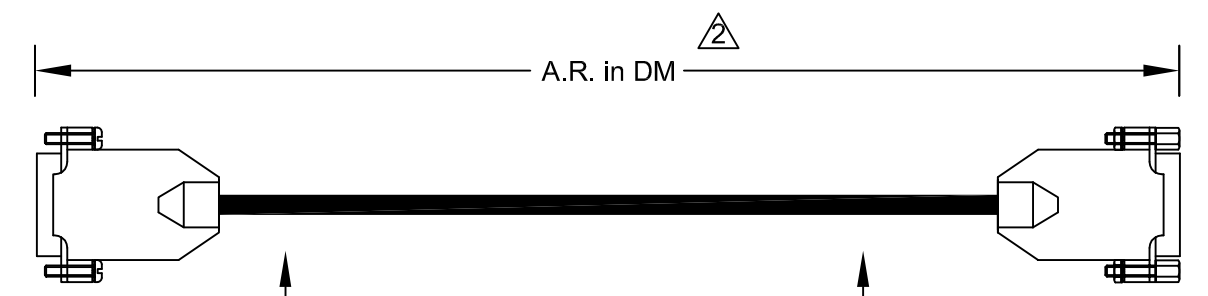


REVISIONS				
SYM.	ZONE	DESCRIPTION	DATE	APPROVAL
-			-	-




△ CABLE LENGTH
 CAUTION, CABLE LENGTHS (XX) ARE IN DECIMETERS
 EXAMPLE: C227713-30
 30 = 30 DECIMETERS (3 METERS) = 10FT.



LABEL FOR C227713 CABLES:
 TO: ENSEMBLEHLE J205 AUX IO
 CABLE WRAP LABEL: EIA00113

LABEL FOR C227713 CABLES:
 C227713-XX
 W. O. # / 1 thru X
 630B2277-13 REV(X)
 CABLE WRAP LABEL: EIA00113

PROPRIETARY INFORMATION THIS DRAWING IS THE PROPERTY OF AEROTECH, INC. AND IS SUBMITTED IN CONFIDENCE AND SHALL NOT BE REPRODUCED NOR COPIED NOR DISCLOSED TO OTHERS UNDER PENALTY OF LAW.			 AEROTECH, INC. 101 Zeta Drive Pittsburgh, PA. 15238 www.aerotech.com		
ENSEMBLEHLE SINGLE AXIS JOYSTICK EXTENSION CABLE (JSXT-26HD-15DU MAX 300 DM)					
TOLERANCES ON FRACTIONS DECIMALS ANGLES 0 TO 6 $\frac{1}{32}$.XX ± 01 $\pm 0-30'$ OVER 6 $\frac{1}{16}$.XXX ± 005		RMS FINISH ✓ EXCEPT AS NOTED		PART CODE C227713-XX	SIZE B
DRAWN TES	9/9/09	CHECKED EJB	9/9/09	SCALE NTS	FILE NAME 630B2277-1301.DWG
APPD. AGS	9/9/09	SHEET 1 of 1		REV. -	