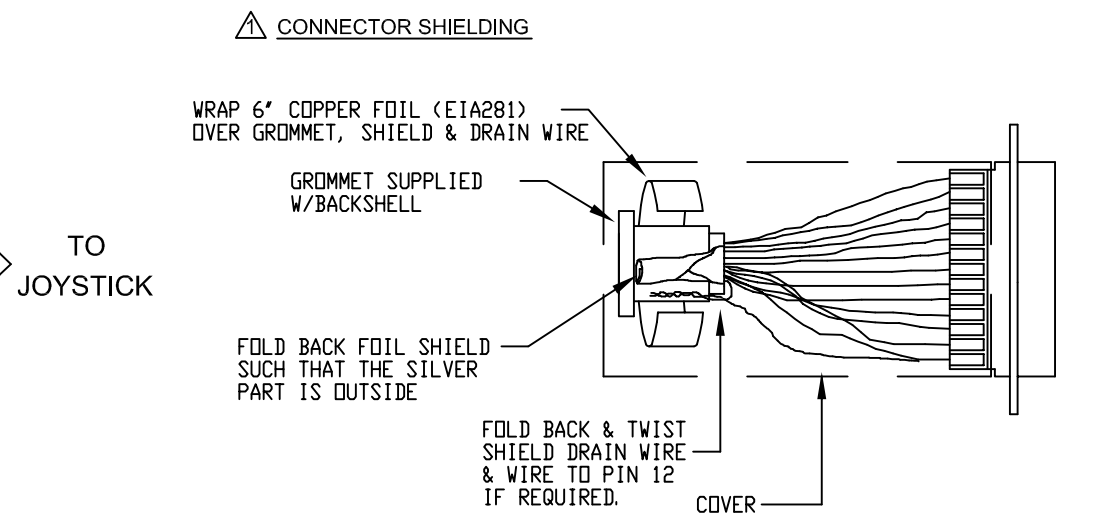
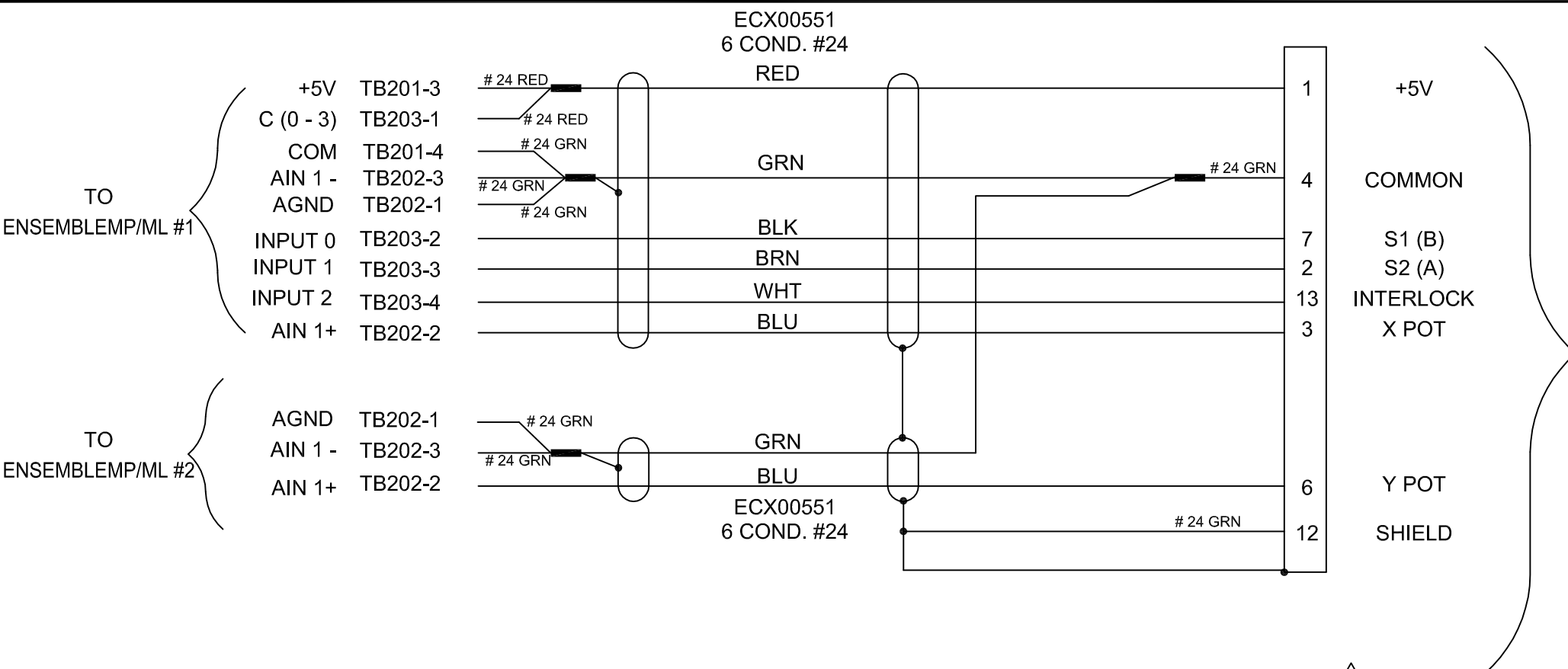
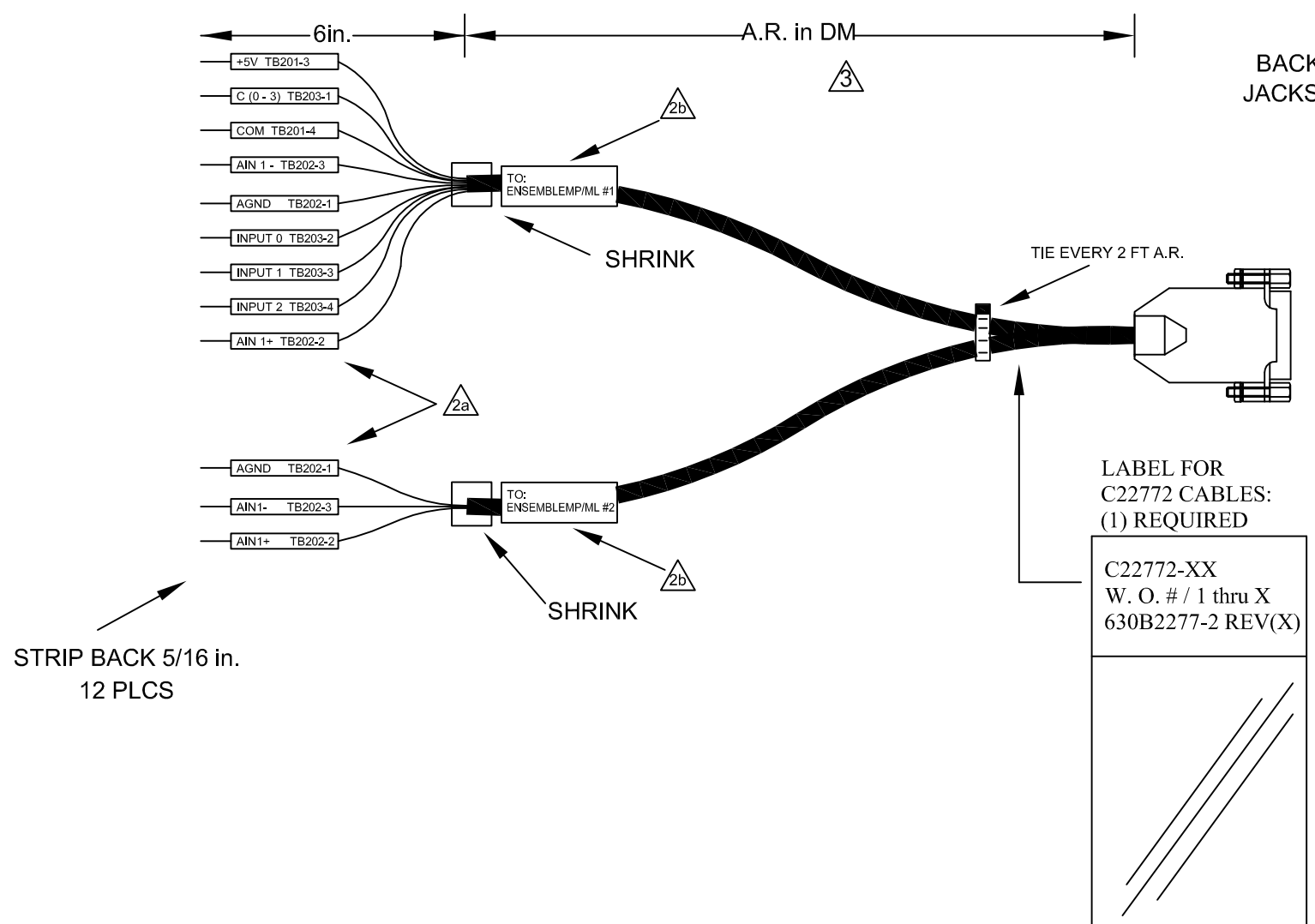


REVISIONS				
SYM.	ZONE	DESCRIPTION	DATE	APPROVAL
-			-	-



- WIRE MARKERS**  
 LABEL WIRES WITH BRADY LABELS AS NOTED  
 a.) PSPT-125-175-WT WIRE MARKING SLEEVE (EIA01161)  
 b.) PSPT-250-175-WT WIRE MARKING SLEEVE (EIA01163)
- CABLE LENGTH**  
 CAUTION, CABLE LENGTHS (XX) ARE IN DECIMETERS  
 EXAMPLE: C22772-30  
 30 = 30 DECIMETERS (3 METERS) = 10FT.



BACKSHELL, #17-1725-2, (ECK01022)  
 JACKSOCKETS, #207719-3, (ECK00129)  
 15 LINE FEMALE "D"  
 DA-15S, ECK00326

PROPRIETARY INFORMATION  
 THIS DRAWING IS THE PROPERTY  
 OF AEROTECH, INC. AND IS  
 SUBMITTED IN CONFIDENCE AND  
 SHALL NOT BE REPRODUCED NOR  
 COPIED NOR DISCLOSED TO OTHERS  
 UNDER PENALTY OF LAW.

**AEROTECH**®  
 AEROTECH, INC. 101 Zeta Drive  
 Pittsburgh, PA. 15238  
 www.aerotech.com

# ENSEMBLEMP/ML DUAL AXIS JOYSTICK EXTENSION CABLE (JSXT-FLY FLY-15DU-MAX 300 DM)

TOLERANCES ON		
FRACTIONS	DECIMALS	ANGLES
0 TO 6 ±1/32	.XX ±01	± 0-30'
OVER 6 ±1/16	.XXX ±005	
RMS FINISH	EXCEPT AS NOTED	

DRAWN	TES	9/1/09	PART CODE	SIZE	REV.
CHECKED	EJB	9/1/09	C22772-XX	B	-
			630B2277-2		