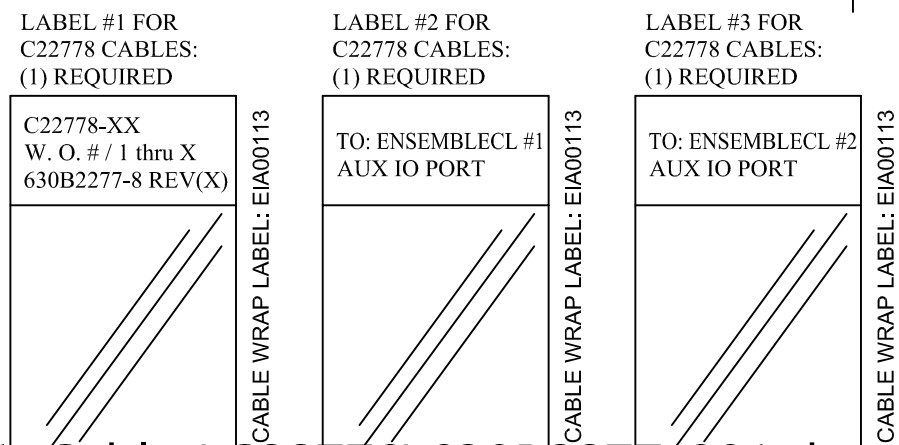
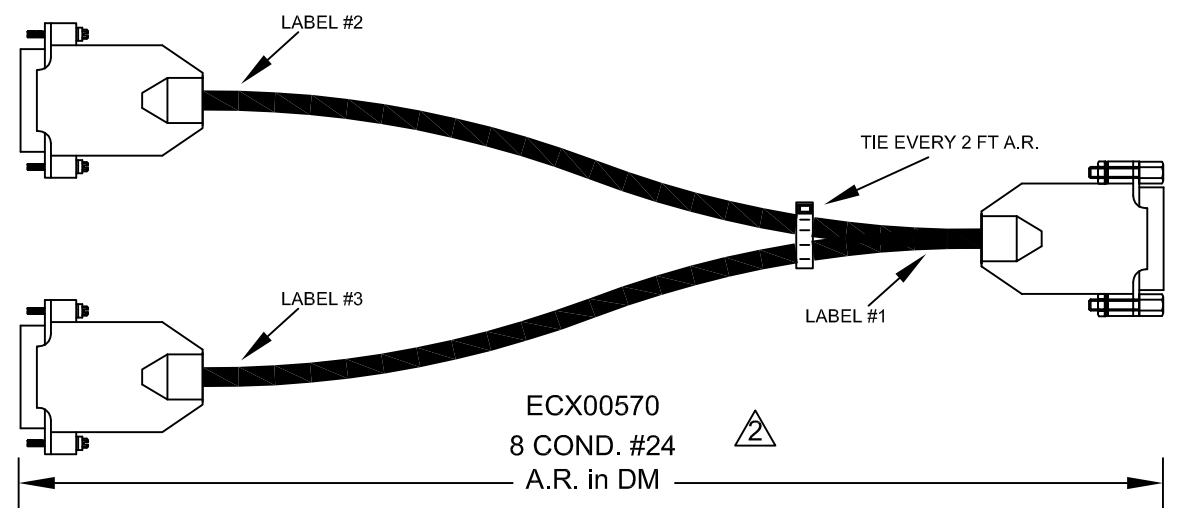
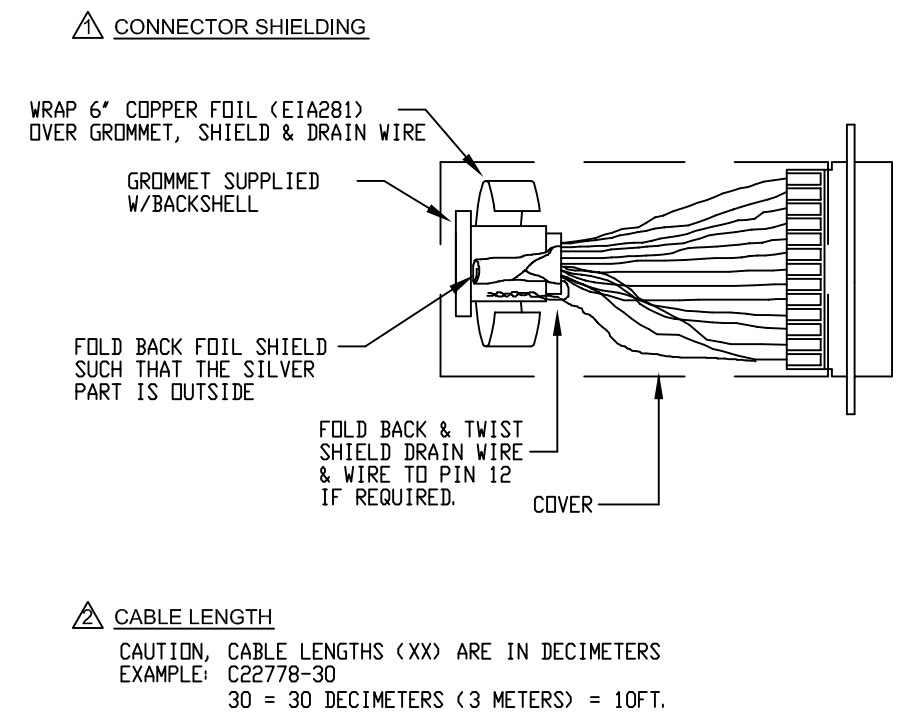
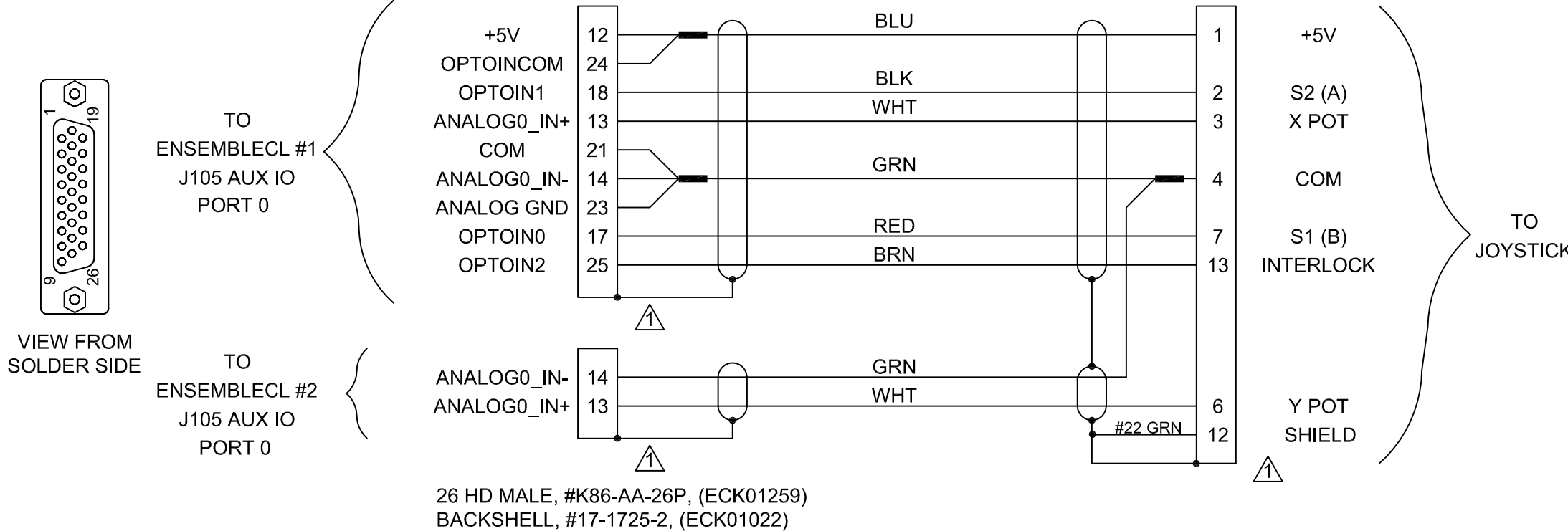


BACKSHELL, #17-1725-2, (ECK01022)
 JACKSOCKETS, #207719-3, (ECK00129)
 15 LINE FEMALE "D"
 DA-15S, ECK00326

26 HD MALE, #K86-AA-26P, (ECK01259)
 BACKSHELL, #17-1725-2, (ECK01022)

REVISIONS				
SYM.	ZONE	DESCRIPTION	DATE	APPROVAL
-		-	-	-



PROPRIETARY INFORMATION
 THIS DRAWING IS THE PROPERTY OF AEROTECH, INC. AND IS SUBMITTED IN CONFIDENCE AND SHALL NOT BE REPRODUCED NOR COPIED NOR DISCLOSED TO OTHERS UNDER PENALTY OF LAW.



AEROTECH, INC. 101 Zeta Drive
 Pittsburgh, PA. 15238
 www.aerotech.com

ENSEMBLECL DUAL AXIS JOYSTICK EXTENSION CABLE (JSXT-26HD 26HD-15DU-MAX 300 DM)

TOLERANCES ON		
FRACTIONS	DECIMALS	ANGLES
0 TO 6 ±1/32	.XX ±01	± 0-30'
OVER 6 ±1/16	.XXX ±005	

RMS FINISH	EXCEPT AS NOTED
------------	-----------------

DRAWN	TES	9/9/09
CHECKED	EJB	9/9/09

PART CODE	SIZE	REV.
C22778-XX	B	-
630B2277-8		