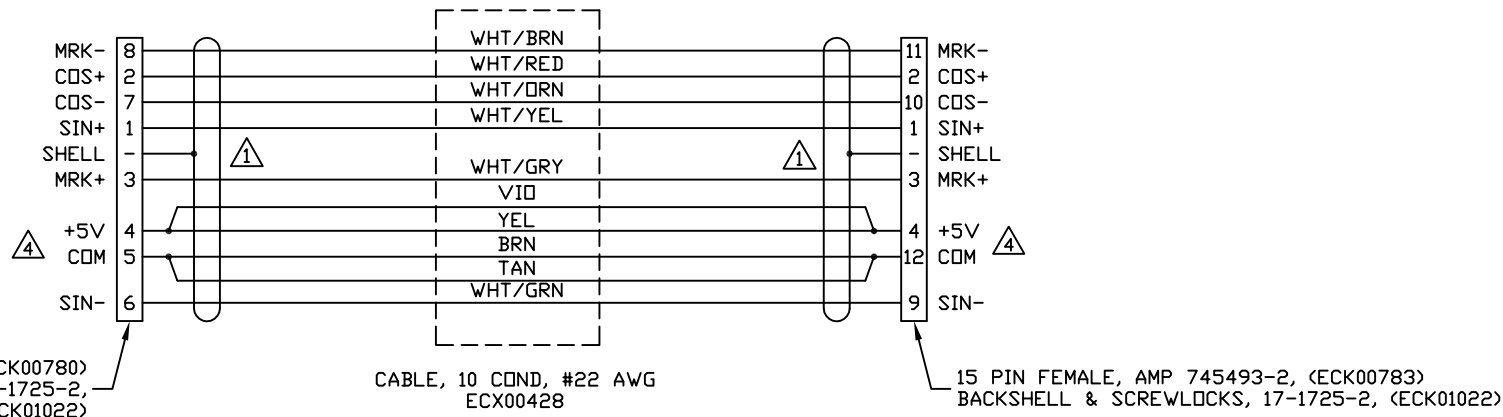


REVISIONS				
REV.	ZONE	DESCRIPTION	DATE	DRAWN

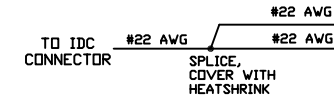


9 PIN MALE D, 745492-1, (ECK00780)
BACKSHELL & SCREWLOCKS, 17-1725-2, (ECK01022)

CABLE, 10 COND, #22 AWG
ECX00428

15 PIN FEMALE, AMP 745493-2, (ECK00783)
BACKSHELL & SCREWLOCKS, 17-1725-2, (ECK01022)

4 WIRE SPLICING



3 CABLE LENGTH

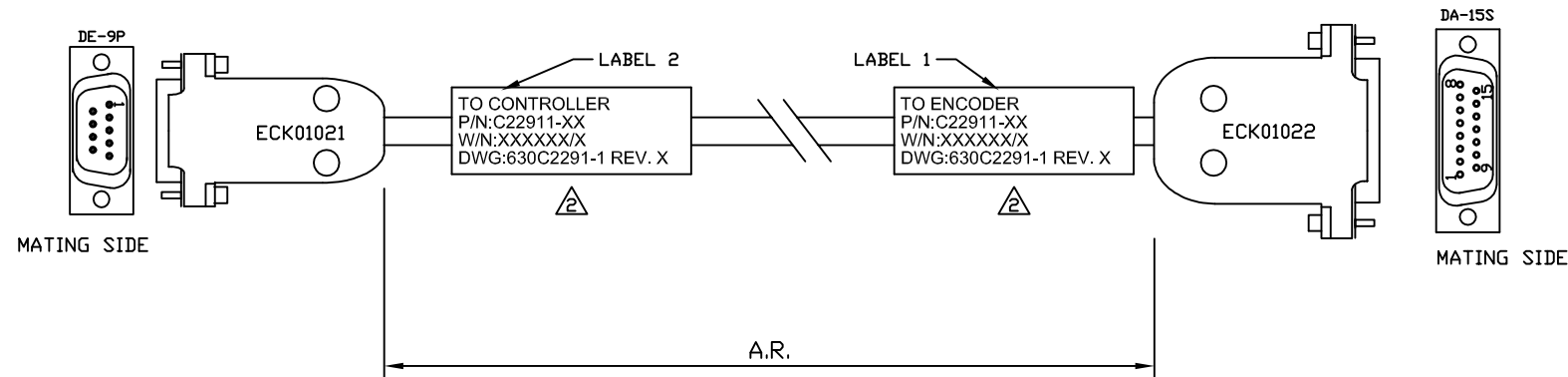
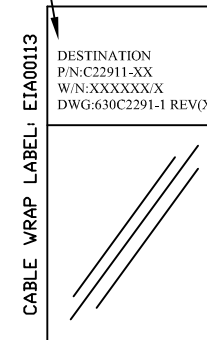
CAUTION, CABLE LENGTHS (XX) ARE IN DECIMETERS
EXAMPLE: C22911-5
5 = 5 DECIMETERS (500mm) = 1.5FT

2 CABLE LABELS

LABEL CABLES AS PER
ASSEMBLY VIEWS BELOW

SEE LABEL 2 ONLY
FOR DESTINATION

LABELS FOR
C22911 CABLES:
(2) REQUIRED,
(1 AT EACH END)

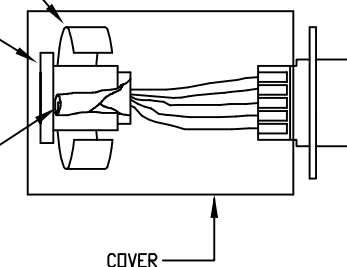


1 CONNECTOR SHIELDING

WRAP 3" COPPER FOIL (EIA281)
OVER GROMMET & SHIELD

USE APPROPRIATE GROMMET
SUPPLIED W/BACKSHELL

FOLD BACK SHIELD,
SO SILVER SIDE IS
OUTSIDE



PART CODE:

C22911-XX	C22911 - 1 TO 120 MAX LENGTH (DECIMETERS)
-----------	---

PROPRIETARY INFORMATION
THIS DRAWING IS THE PROPERTY
OF AEROTECH, INC. AND IS
SUBMITTED IN CONFIDENCE AND
SHALL NOT BE REPRODUCED NOR
COPIED NOR DISCLOSED TO OTHERS
UNDER PENALTY OF LAW.



AEROTECH, INC. 101 Zeta Drive
Pittsburgh, PA. 15238
(412)963-7470
www.aerotech.com

TOLERANCES ON		
FRACTIONS	DECIMALS	ANGLES
0 TO 6 ± 1/32	.XX ± .01	± 0-30'
OVER 6 ± 1/16	.XXX ± .005	

RMS FINISH EXCEPT AS NOTED

ENCODER FEEDBACK CABLE
MR AUX ENCODER TO RENISHAW
CABLE: ENC FB-9DU-15DU-MAX-120DM

DRAWN	MS	6/07/10	PART CODE	SIZE	REV.
CHECKED	AGS	6/07/10	C22911-XX	C	-
APPD.	AGS	6/07/10	SCALE NTS	FILE NAME	SHEET
				630C2291-101.dwg	1 OF 1