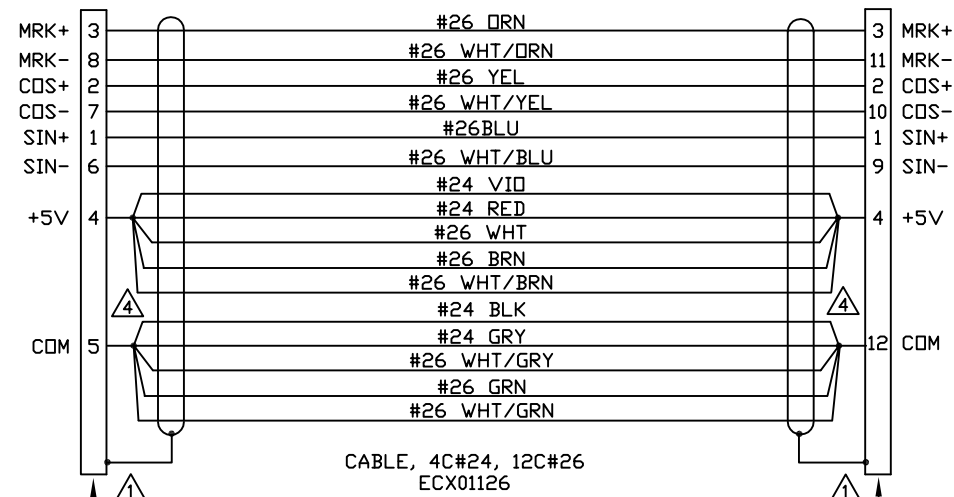


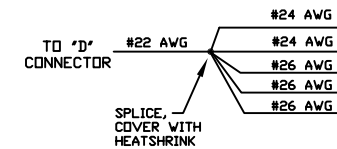
REVISIONS				
REV.	ZONE	DESCRIPTION	DATE	DRAWN



9 PIN MALE D, DE-9P, (ECK00137)
BACKSHELL & SCREWLOCKS, 17-1725-2,
(ECK01022)

15 PIN FEMALE, DA15S, (ECK00326)
BACKSHELL & SCREWLOCKS, 17-1725-2, (ECK01022)

4 WIRE SPLICING



3 CABLE LENGTH

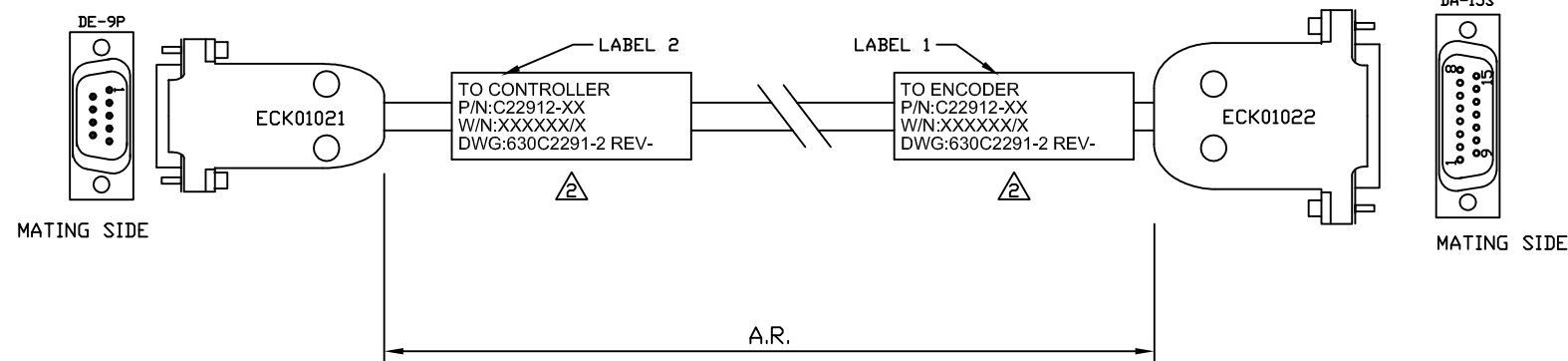
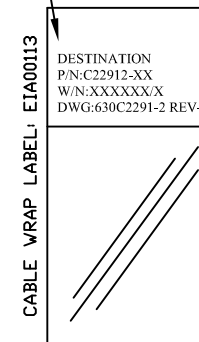
CAUTION, CABLE LENGTHS (XX) ARE IN DECIMETERS
EXAMPLE: C22912-10
10 = 10 DECIMETERS (1000mm) = 3.28 FT

2 CABLE LABELS

LABEL CABLES AS PER
ASSEMBLY VIEWS BELOW

SEE LABEL 2 ONLY
FOR DESTINATION

LABELS FOR
C22912 CABLES:
(2) REQUIRED,
(1 AT EACH END)



1 CONNECTOR SHIELDING

WRAP 3" COPPER FOIL (EIA281)
OVER GROMMET & SHIELD

USE APPROPRIATE GROMMET
SUPPLIED W/BACKSHELL

FOLD BACK SHIELD

COVER

PART CODE:

C22912-XX C22912 - 1 TO 160 MAX LENGTH (DECIMETERS)

PROPRIETARY INFORMATION
THIS DRAWING IS THE PROPERTY
OF AEROTECH, INC. AND IS
SUBMITTED IN CONFIDENCE AND
SHALL NOT BE REPRODUCED NOR
COPIED NOR DISCLOSED TO OTHERS
UNDER PENALTY OF LAW.



AEROTECH, INC. 101 Zeta Drive
Pittsburgh, PA. 15238
(412)963-7470
www.aerotech.com

TOLERANCES UNLESS NOTED
FRACTIONS DECIMALS ANGLES
0 TO 6 ± 1/32 .XX ± .01 ± 0-30'
OVER 6 ± 1/16 .XXX ± .005

HI FLEX ENCODER FEEDBACK CABLE
MR AUX ENCODER TO RENISHAW
CABLE: ENC FB-9DU-15DU-HF65-MAX160DM

RMS FINISH EXCEPT AS NOTED

DRAWN	AGS	12-30-13	PART CODE	SIZE	REV.
CHECKED	MS	12-30-13	C22912-XX	C	-
APPD.	MS	12-30-13	SCALE NTS	FILE NAME 630C2291-201.dwg	SHEET 1 OF 1

630C2291-2	-
------------	---