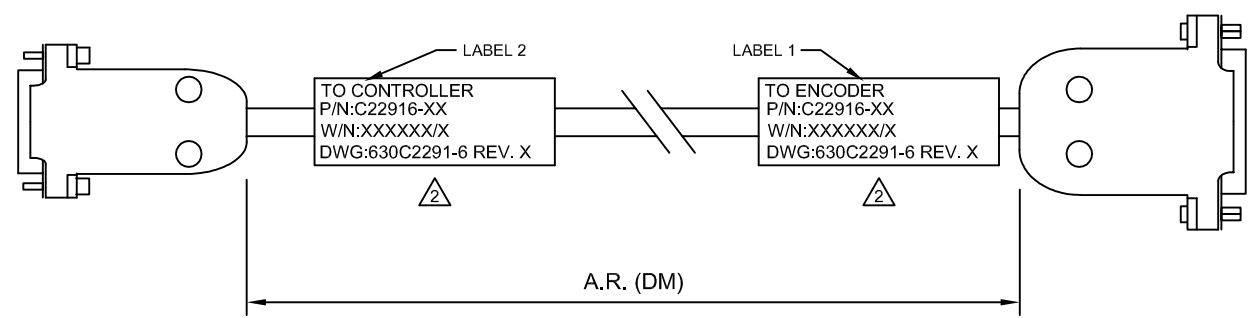
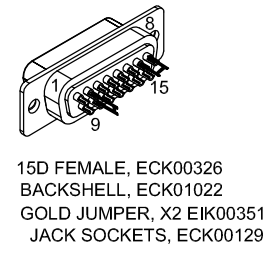
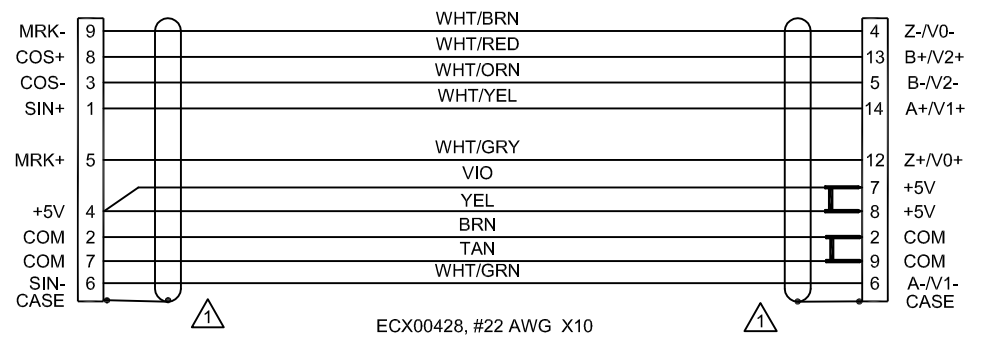
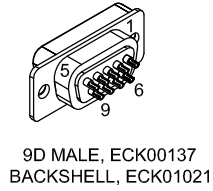


REVISIONS			
REV.	DESCRIPTION	DATE	DRAWN

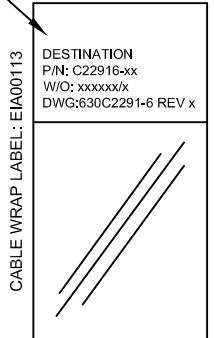


**2 LABELS**

LABEL PER VIEW BELOW

LABELS:  
2 REQUIRED,  
(1 AT EACH END)

SEE LABEL 2 ONLY  
FOR DESTINATION

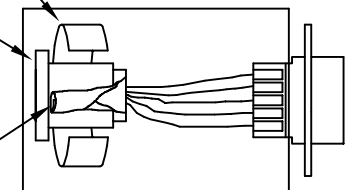


**1 SHIELD TERMINATION**

WRAP 3" COPPER FOIL, EIA00281  
OVER GROMMET & SHIELD

USE APPROPRIATE GROMMET  
SUPPLIED W/BACKSHELL

FOLD BACK FOIL  
SHIELD, SO SILVER  
SIDE IS OUTSIDE



**3 REQUIRED ENCODER ORIENTATION**



NOTE:  
THIS DRAWING IS APPLICABLE WHEN CW  
TRAVEL PRODUCES SCALE OR ENCODER  
READHEAD MOTION AS SHOWN ABOVE  
(PULL ENCODER CABLE)

<b>PROPRIETARY INFORMATION</b> THIS DRAWING IS THE PROPERTY OF AEROTECH, INC. AND IS SUBMITTED IN CONFIDENCE AND SHALL NOT BE REPRODUCED NOR COPIED NOR DISCLOSED TO OTHERS UNDER PENALTY OF LAW.			AEROTECH, INC. 101 Zeta Drive Pittsburgh, PA. 15238 (412)963-7470 www.aerotech.com		
<b>XR3/XR6 SECONDARY          FEEDBACK CABLE</b>					
<b>ENC FB-9D-15DJS-TNCD-PUL-MAX116DM</b>					
TOLERANCES ON FRACTIONS DECIMALS ANGLES 0 TO 6 ±1/32 .XX ±01 ± 0-30° OVER 6 ±1/16 .XXX ±005			RMS FINISH <input checked="" type="checkbox"/> EXCEPT AS NOTED		
DRAWN	JFM	1/17/18	PART CODE	SIZE	REV.
CHECKED	JAB	1/17/18	C22916	C	630C2291-6
APPD.	JFM	1/17/18	SCALE NTS	FILE NAME	630C2291-6.dwg
			SHEET	1 OF 1	