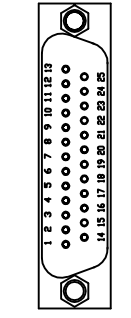
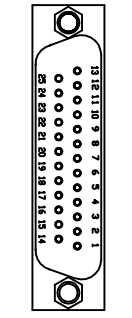
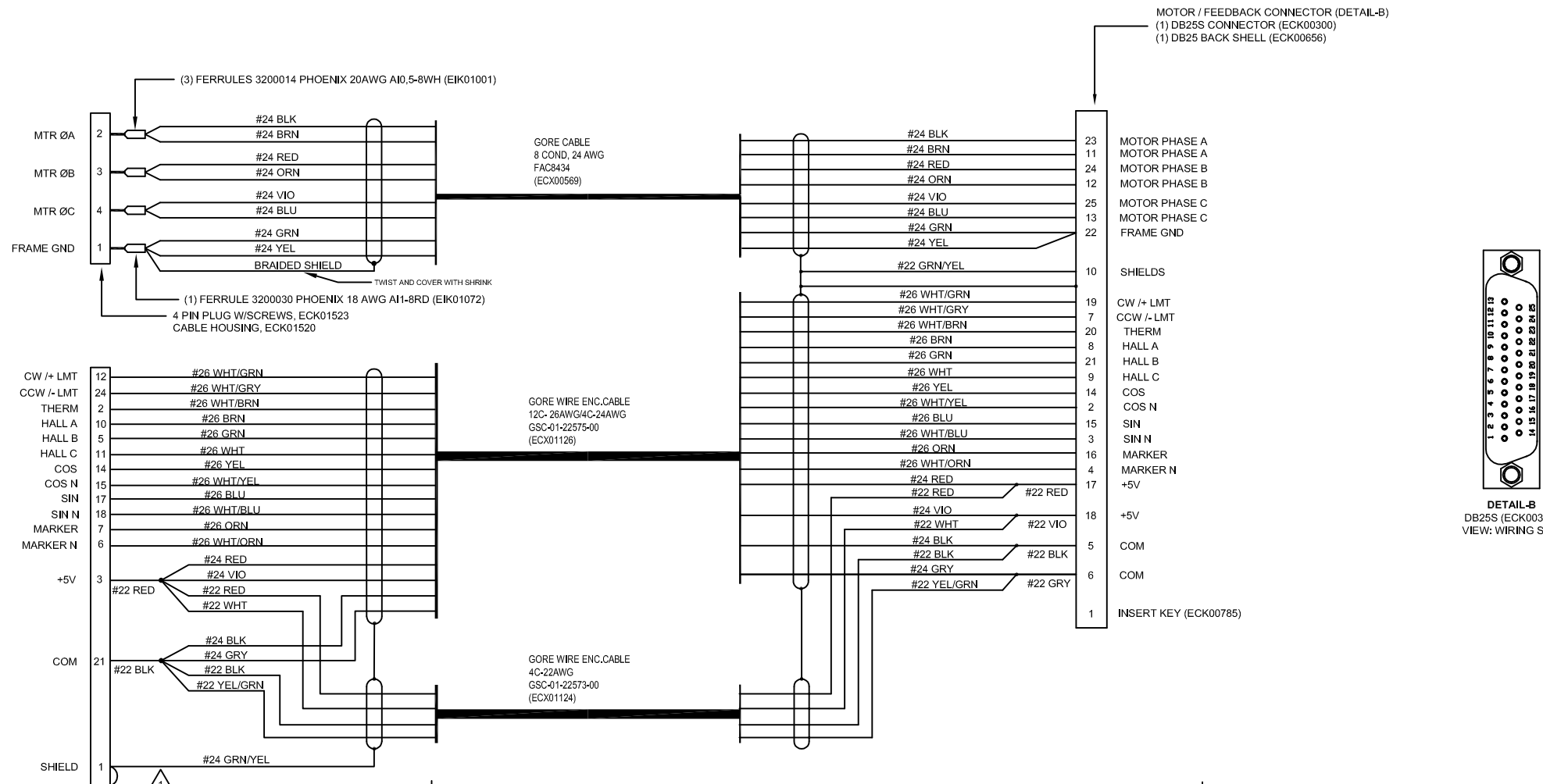
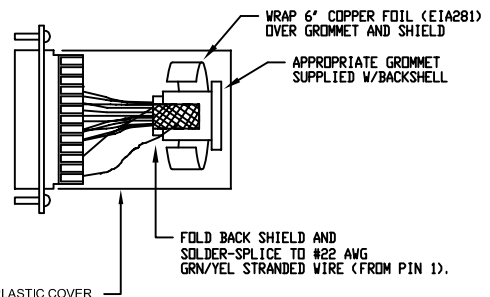


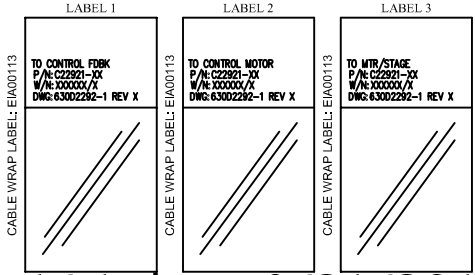
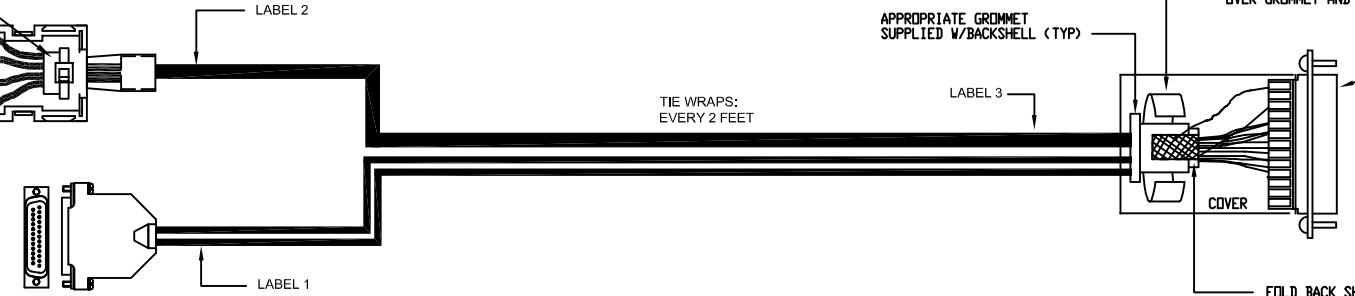
REVISIONS				
REV.	ZONE	DESCRIPTION	DATE	DRAWN
A	-	ECN13577	9/8/11	EJB



1 SHIELD TERMINATION WITH METALIZED PLASTIC COVERS WITH PIN 1 & SHIELD TIED TOGETHER.



WIRE TIE (E1Z00418) TO COVER



C22921-XX		C22921-1 TO -190 MAX LENGTH (DECIMETERS)	
PROPRIETARY INFORMATION THIS DRAWING IS THE PROPERTY OF AEROTECH, INC. AND IS SUBMITTED IN CONFIDENCE AND SHALL NOT BE REPRODUCED NOR COPIED NOR DISCLOSED TO OTHERS UNDER PENALTY OF LAW.			
TOLERANCES ON FRACTIONS DECIMALS ANGLES 0 TO 6 1/32 .XX 0.01 ± 0-30 OVER 6 1/16 .XXX 0.005		AEROTECH, INC. 101 Zeta Drive Pittsburgh, PA, 15238 (412)963-7470 www.aerotech.com	
HI FLEX MOTOR/FEEDBACK CABLE C22921-XX			
CABLE: BL MTR & FB-4TS 25DU-25DU-4ARMS-HF65-190DM			
RMS FINISH	TES	EXCEPT AS NOTED	
DRAWN	AGS	3/24/10	
CHECKED	AGS	3/24/10	
APPD.	AGS	3/24/10	
PART CODE	SIZE	REV.	
SEE ABOVE	D	A	
SCALE	NTS	FILE NAME	630D2292-1A1.DWG
SHEET	1 of 1		