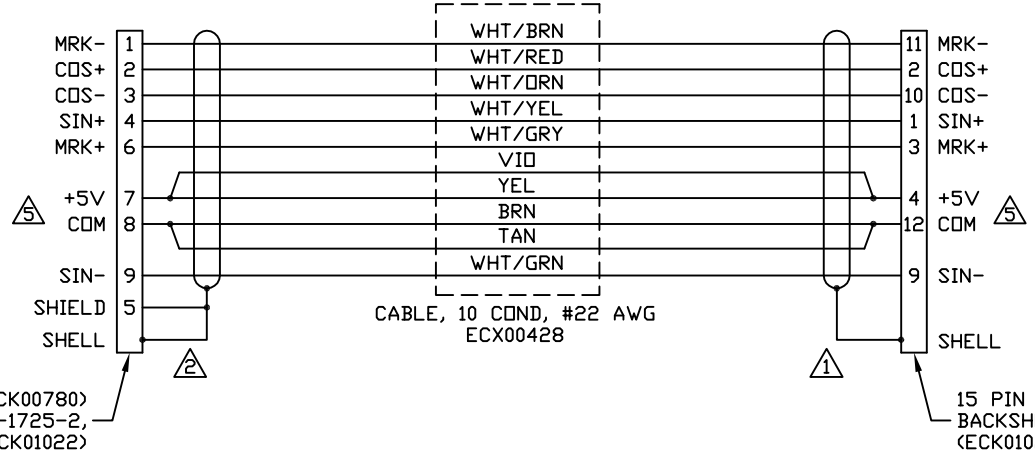
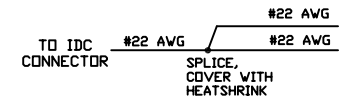


REVISIONS				
REV.	ZONE	DESCRIPTION	DATE	DRAWN



**5 WIRE SPLICING**

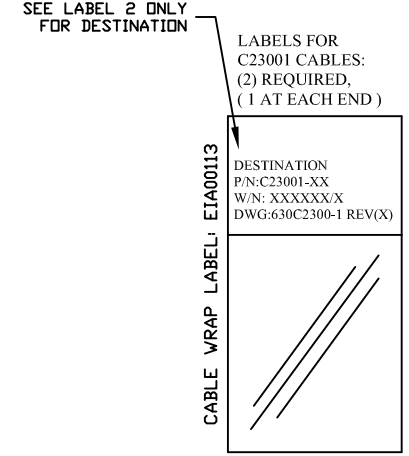


**4 CABLE LENGTH**

CAUTION, CABLE LENGTHS (XX) ARE IN DECIMETERS  
 EXAMPLE: C23001-5  
 5 = 5 DECIMETERS (500mm) = 1.5FT

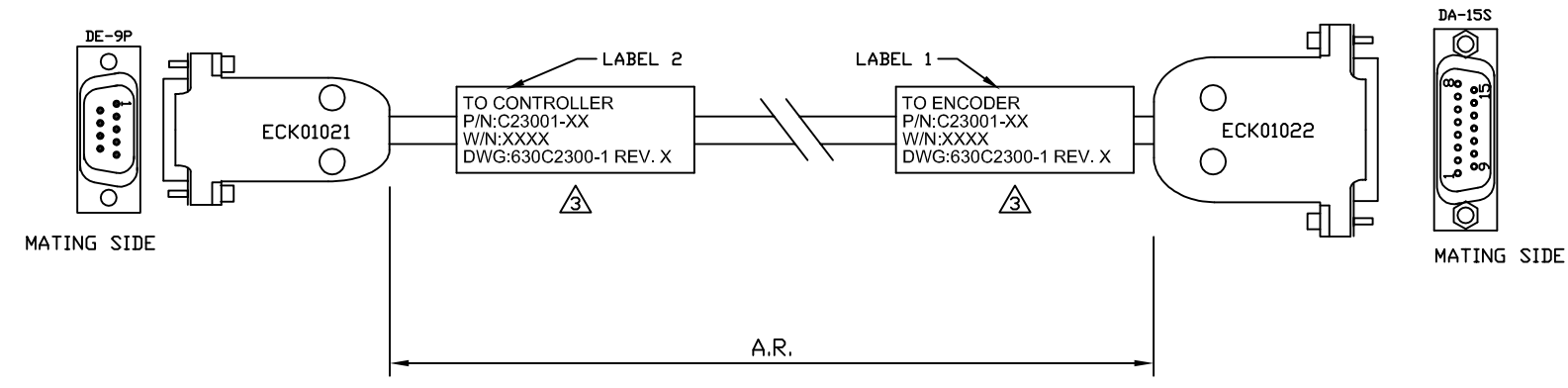
**3 CABLE LABELS**

LABEL CABLES AS PER ASSEMBLY VIEWS BELOW

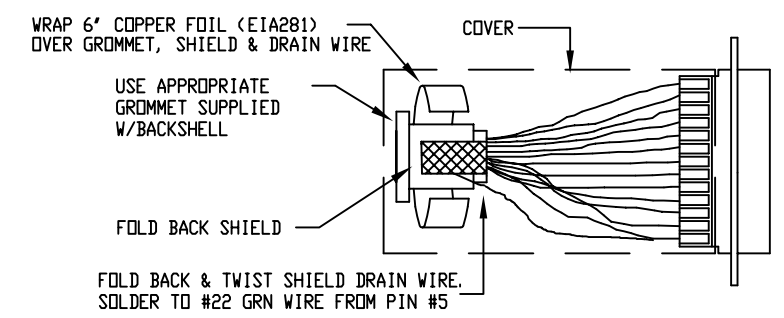


9 PIN MALE D, 745492-1, (ECK00780)  
 BACKSHELL & SCREWLOCKS, 17-1725-2,  
 (ECK01022)

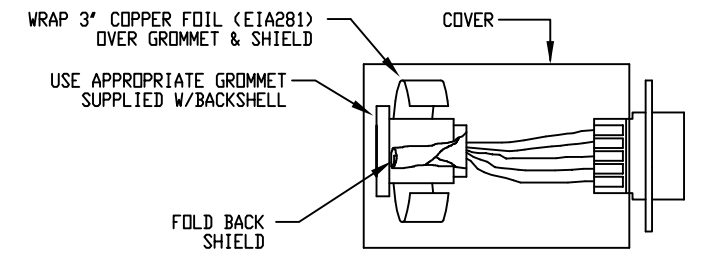
15 PIN FEMALE, AMP 745493-2, (ECK00783)  
 BACKSHELL & SCREWLOCKS, 17-1725-2,  
 (ECK01022)



**2 CONNECTOR SHIELDING**



**1 CONNECTOR SHIELDING**



PART CODE:	
C23001-XX	C23001 - 1 TO 120 MAX LENGTH (DECIMETERS)

PROPRIETARY INFORMATION  
 THIS DRAWING IS THE PROPERTY  
 OF AEROTECH, INC. AND IS  
 SUBMITTED IN CONFIDENCE AND  
 SHALL NOT BE REPRODUCED NOR  
 COPIED NOR DISCLOSED TO OTHERS  
 UNDER PENALTY OF LAW.



AEROTECH, INC. 101 Zeta Drive  
 Pittsburgh, PA. 15238  
 (412)963-7470  
 www.aerotech.com

TOLERANCES ON		
FRACTIONS	DECIMALS	ANGLES
0 TO 6 ± 1/32	.XX ± .01	± 0-30'
OVER 6 ± 1/16	.XXX ± .005	
RMS FINISH	✓	EXCEPT AS NOTED

**ENCODER FEEDBACK CABLE**  
**MP AUX ENCODER TO RENISHAW**  
**CABLE: ENC FB-9DU-15DU-MAX 120 DM**

DRAWN	MS	6/07/10	PART CODE	SIZE	REV.
CHECKED	AGS	6/07/10	C23001-XX	C	-
APPD.	AGS	6/07/10	SCALE NTS	FILE NAME	SHEET
				630C2300-101.dwg	1 OF 1