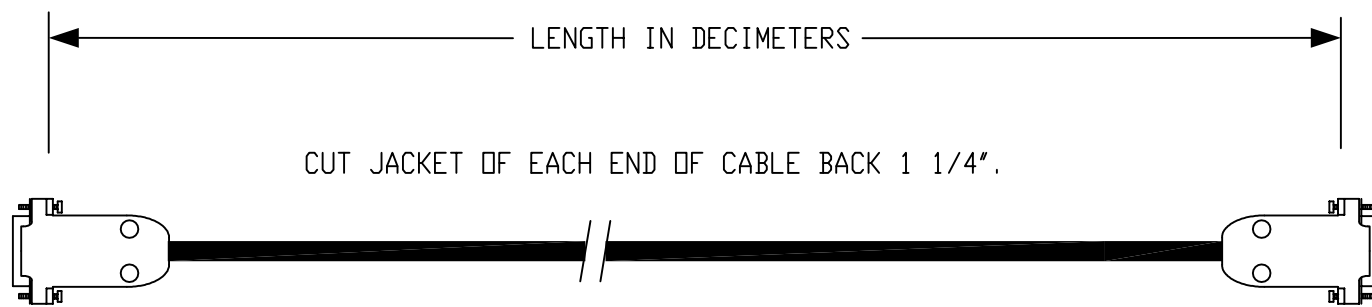
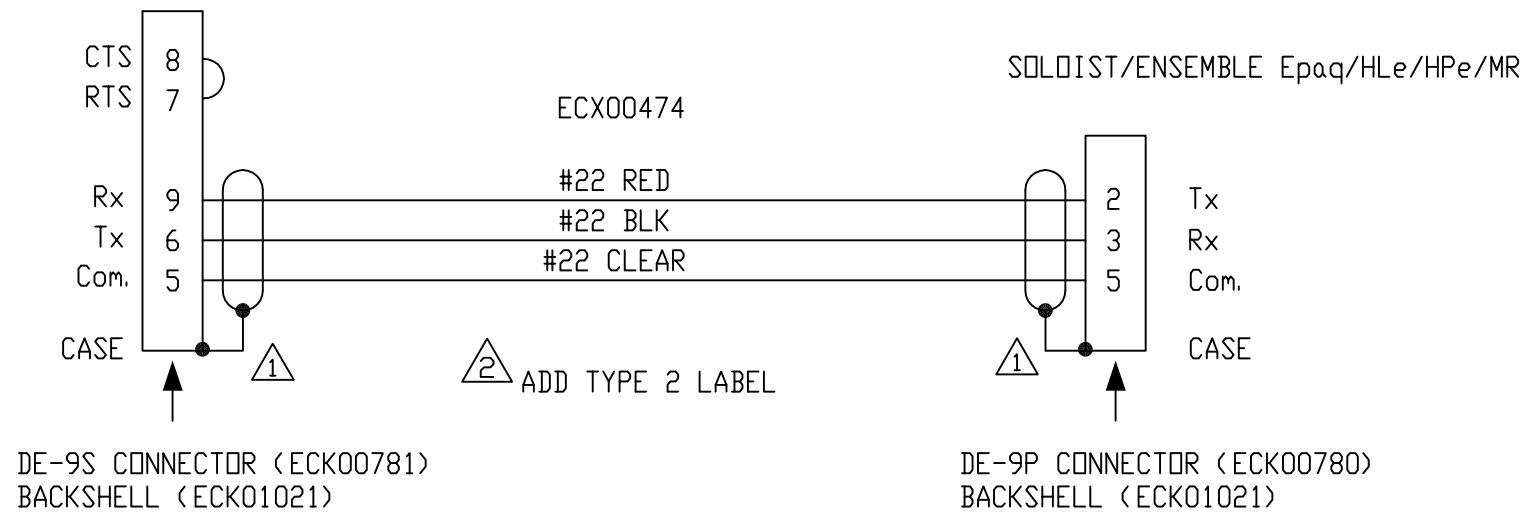
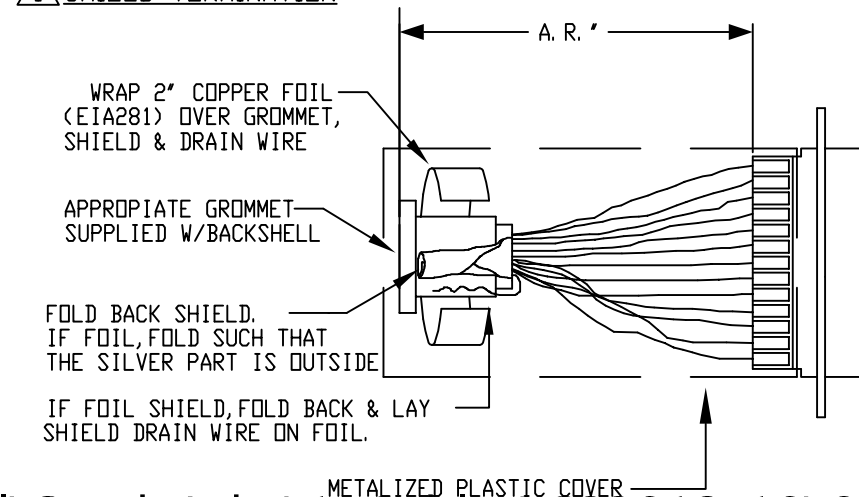


REVISIONS				
REV.	ZONE	DESCRIPTION	DATE	DRAWN

MAPLE HMI-5043N OPERATOR INTERFACE RS-232C PORT



1 SHIELD TERMINATION




2 LABEL INFORMATION

P/N: C23013-10
W/N: XXXXXX/X
DWG: 630B2301-3 REV x

TYPE 2 LABEL-EIA113
XX = CABLE LENGTH IN DECIMETERS

QTY.: 1 WORK ORDER: _____
CUSTOMER NAME: XXXXXXXXX
ORDER NUMBER: #####
APPROVED BY: XXX
RELEASE DATE: ###/###/####
CUST FILE NAME: ##### 630B2301 Maple RS232 Cbl.Dwg

<small>PROPRIETARY INFORMATION THIS DRAWING IS THE PROPERTY OF AEROTECH, INC. AND IS SUBMITTED IN CONFIDENCE AND SHALL NOT BE REPRODUCED NOR COPIED NOR DISCLOSED TO OTHERS UNDER PENALTY OF LAW.</small>			 <small>AEROTECH, INC. 101 Zeta Drive Pittsburgh, PA. 15238 (412)963-7470 TWX710-795-3125</small>		
<small>TOLERANCES ON FRACTIONS DECIMALS ANGLES 0 TO 6 ± 1/32 .XX ± .01 ± 0-30' OVER 6 ± 1/16 .XXX ± .005</small>			SOLOIST / ENSEMBLE Epaq, HLe, HPe, MR TO MAPLE HMI-5043N OPERATOR INTERFACE (RS-232 9DU-9DU)		
<small>RMS FINISH</small> <input checked="" type="checkbox"/> <small>EXCEPT AS NOTED</small>			<small>PART CODE</small> C23013-10 <small>SIZE</small> B 630B2301-3 <small>REV.</small> -		
<small>DRAWN</small>	6/25/2010	JFM	<small>SCALE</small> NTS	<small>FILE NAME</small> 630B2301-001.Dwg	<small>SHEET</small> 1 OF 1
<small>CHECKED</small>	6/25/2010	AGS			
<small>APPD.</small>	6/25/2010	JFM			