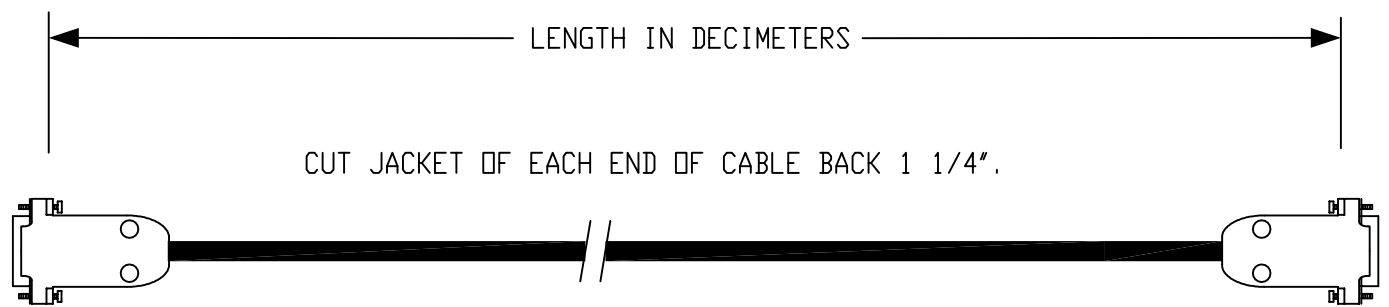
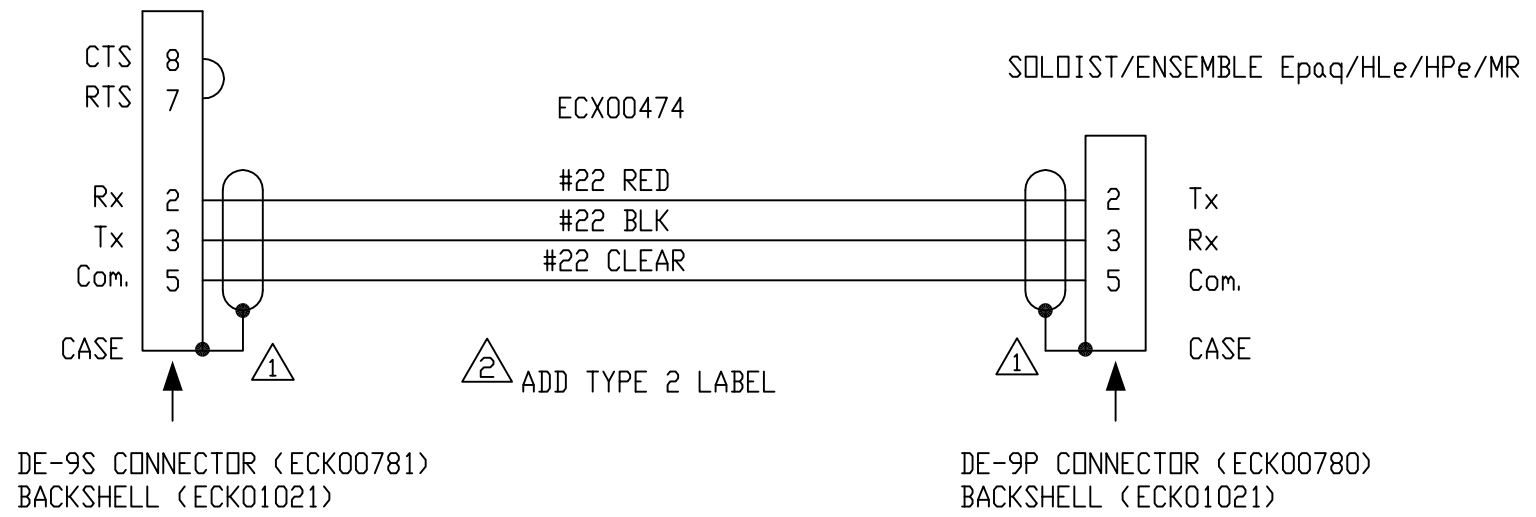
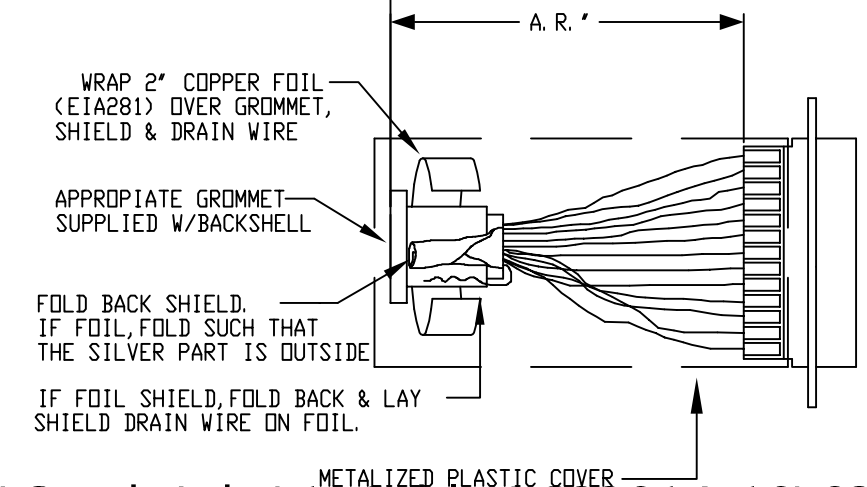


REVISIONS				
REV.	ZONE	DESCRIPTION	DATE	DRAWN

TO ALL MAPLE (EXCEPT HMI-5043N) OPERATORS INTERFACE RS232 PORT



1 SHIELD TERMINATION




2 LABEL INFORMATION

P/N: C23014-10
W/N: XXXXXX/X
DWG: 630B2301-4 REV x

TYPE 2 LABEL-EIA113
XX = CABLE LENGTH IN DECIMETERS

QTY.: 1 WORK ORDER: _____
CUSTOMER NAME: XXXXXXXXX
ORDER NUMBER: #####
APPROVED BY: XXX
RELEASE DATE: ###/###/####
CUST FILE NAME: ##### 630B2301 Maple RS232 Cbl.Dwg

<small>PROPRIETARY INFORMATION THIS DRAWING IS THE PROPERTY OF AEROTECH, INC. AND IS SUBMITTED IN CONFIDENCE AND SHALL NOT BE REPRODUCED NOR COPIED NOR DISCLOSED TO OTHERS UNDER PENALTY OF LAW.</small>			 AEROTECH ® AEROTECH, INC. 101 Zeta Drive Pittsburgh, PA. 15238 (412)963-7470 TWX710-795-3125		
<small>TOLERANCES ON FRACTIONS DECIMALS ANGLES 0 TO 6 ± 1/32 .XX ± .01 ± 0-30' OVER 6 ± 1/16 .XXX ± .005</small>			SOLOIST / ENSEMBLE Epaq, HLe, HPe, MR TO ALL MAPLE O.I.'S (EXCEPT HMI-5043N) (RS-232 9DU-9DU)		
<small>RMS FINISH <input checked="" type="checkbox"/> EXCEPT AS NOTED</small>			<small>PART CODE SIZE</small> C23014-10 B		
<small>DRAWN 6/25/2010 JFM</small>			<small>REV.</small> 630B2301-4 -		
<small>CHECKED 6/25/2010 AGS</small>			<small>SCALE NTS FILE NAME 630B2301-001.Dwg SHEET 1 OF 1</small>		
<small>APPD. 6/25/2010 JFM</small>					