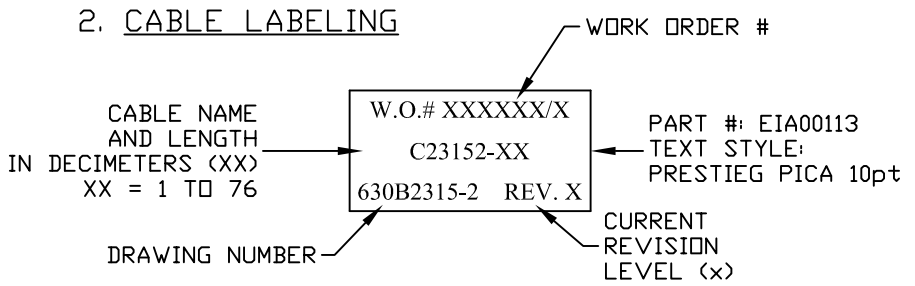
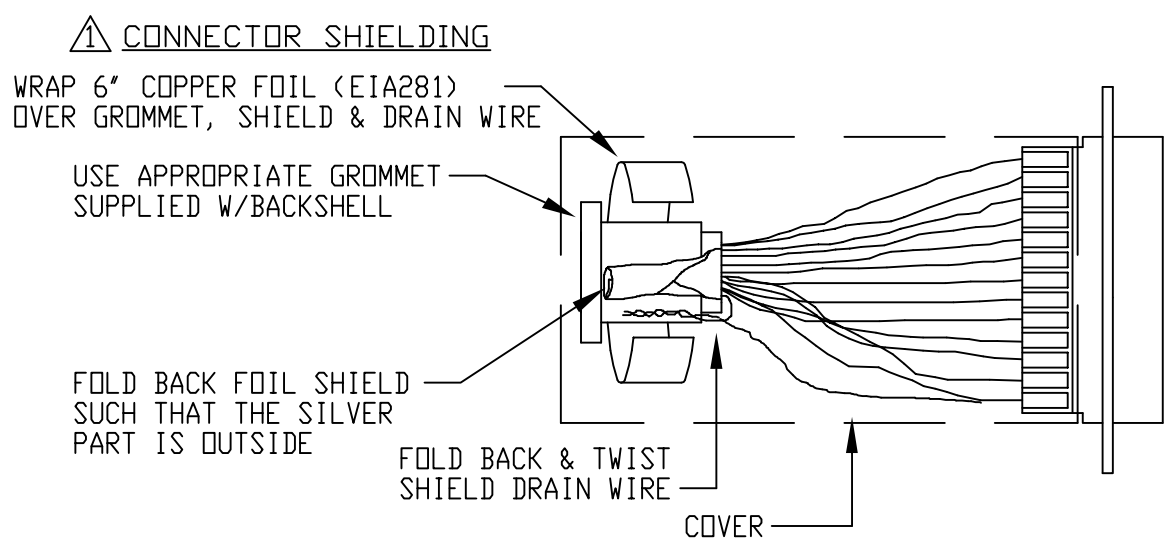
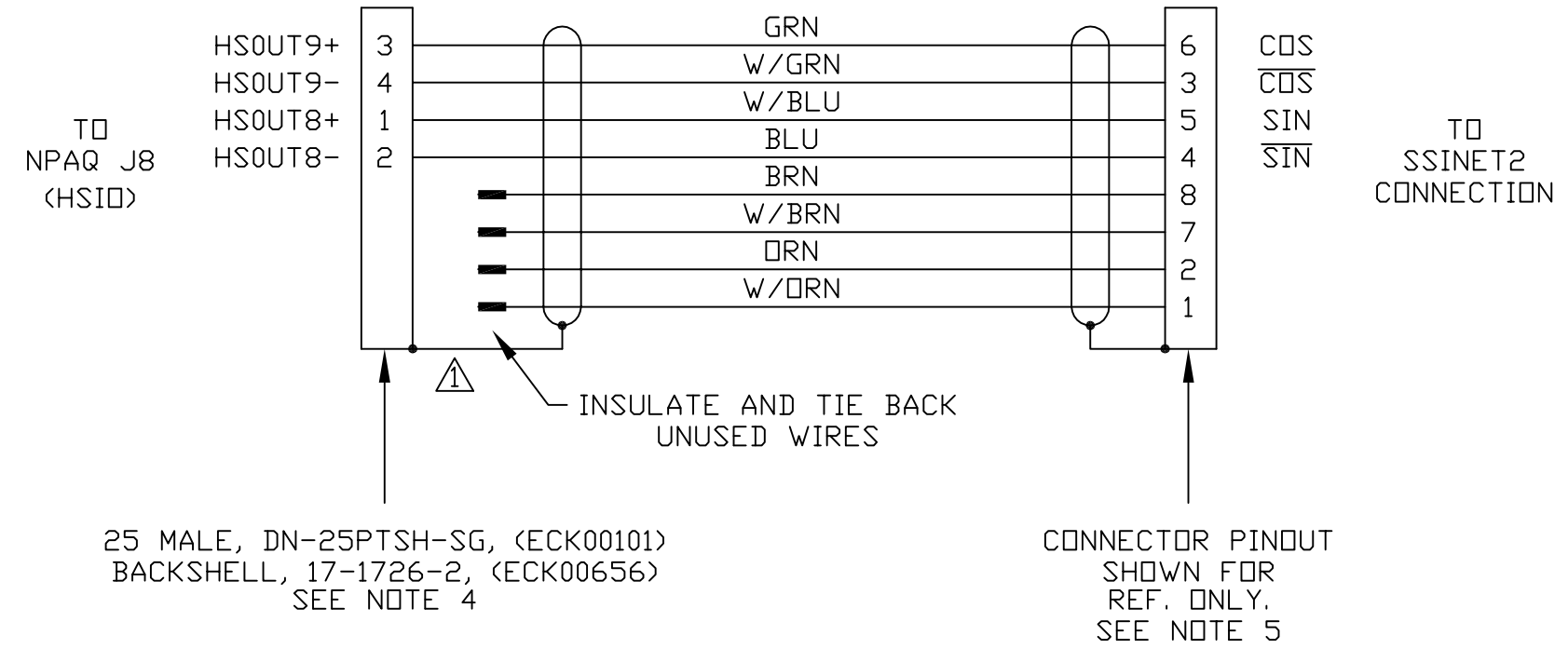
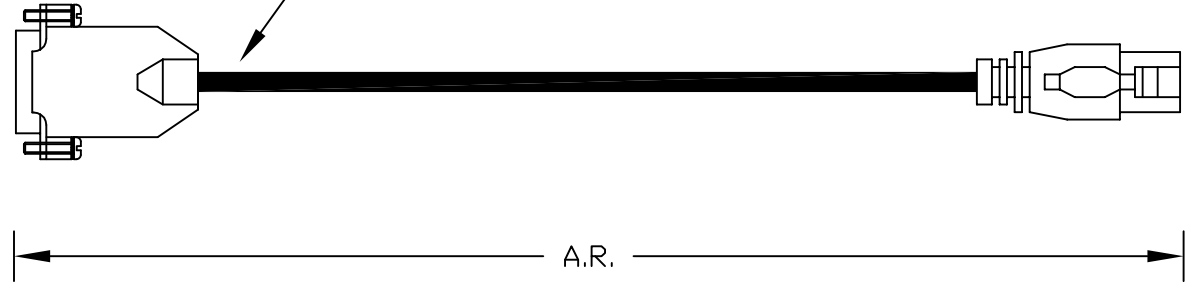


REVISIONS				
REV.	ZONE	DESCRIPTION	DATE	DRAWN

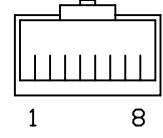
CABLE #TRD855SCR
LENGTH A.R.
SEE NOTE 3.



CABLE #TRD855SCR
CUT OFF EXISTING
CONNECTOR AND INSTALL
25 PIN CONNECTOR
AT THIS END

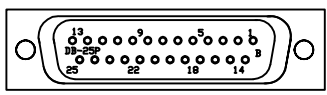


5. RJ-45 CONNECTOR
VIEW LOOKING INTO CONNECTOR



3. CABLE LENGTH
CAUTION, CABLE LENGTHS (XX) ARE IN DECIMETERS
EXAMPLE: C23152-3
3 = 3 DECIMETERS (300mm) = 1FT.

4. CONNECTOR VIEW FROM SOLDER SIDE.



PART CODE:
C23152-X C23152-1 TO -76 MAX LENGTH (DECIMETERS)

PROPRIETARY INFORMATION
THIS DRAWING IS THE PROPERTY
OF AEROTECH, INC. AND IS
SUBMITTED IN CONFIDENCE AND
SHALL NOT BE REPRODUCED NOR
COPIED NOR DISCLOSED TO OTHERS
UNDER PENALTY OF LAW.



AEROTECH, INC. 101 Zeta Drive
Pittsburgh, PA. 15238
(412)963-7470
www.aerotech.com

TOLERANCES ON
FRACTIONS DECIMALS ANGLES
0 TO 6 ± 1/32 .XX ± .01 ± 0-30'
OVER 6 ± 1/16 .XXX ± .005

RMS FINISH EXCEPT AS NOTED

NPAQ HSI01 TO SSINET2
(MAX LENGTH 76 DECIMETERS)
CABLE: ENC SSI1-25DU-RJ45-MAX76DM

DRAWN	8-31-2010	LTL
CHECKED	8-31-2010	LTL

PART CODE	SIZE	REV.
SEE ABOVE	B	-
630B2315-2		